



SDHQ Motorsports
190 S McQueen Rd
Ste 109 Gilbert, AZ 85233
Phone: 480-633-2929

Product Packing List

Product: SDHQ-00-9204-U1

Description: **SDHQ Power Steering Reservoir Filter**

_____ (1) Filter Clamp	SDHQ-00-9220
_____ (1) Filter Clamp Spacer	SDHQ-00-9220-A
_____ (1) Hardware Package	SDHQ-00-9204-U1-A
_____ (1) Aeromotive AN-06 40m Filter (PN: 12348)	
_____ (2) 1/4" - 20 x 1 1/4" S.S. Socket Head Bolt	
_____ (2) 1/4" S.S. Washer	
_____ (2) 1/4" - 20 x 17/32" Clip on Barrel Nut	
_____ (1) 9" of Power Steering Hose with 90° and 150° Fittings	

Inspected and Packaged By: _____ **Date:** _____

For questions or help with the installation, please call SDHQ Offroad @ 480-633-2929
Mon.-Fri. 8:00am-5:30pm and Sat. 8:00am-3:30pm Arizona Time. www.sdhqoffroad.com

**For questions or help with the installation, please call SDHQ Offroad @ 480-633-2929
Mon.–Fri. 8:00am–5:30pm and Sat. 8:00am–3:30pm Arizona Time. www.sdhqoffroad.com**

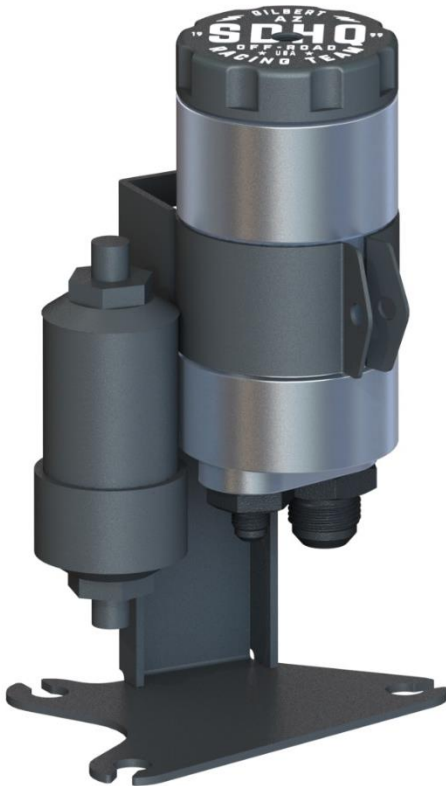


SDHQ Motorsports
 190 S McQueen Rd
 Ste 109 Gilbert, AZ 85233
 Phone: 480-633-2929

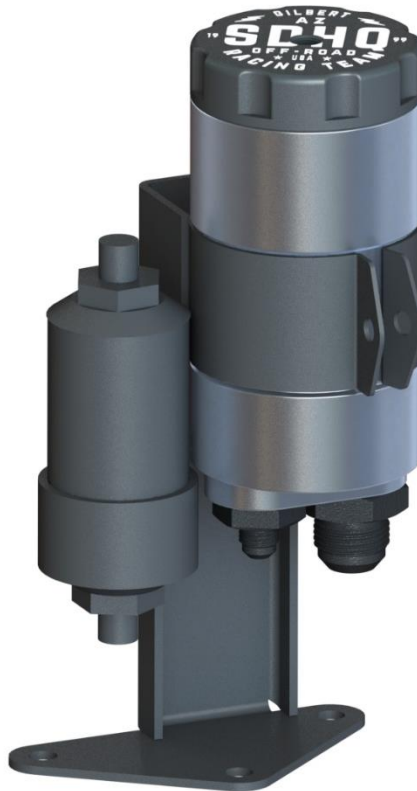
INSTALLATION INSTRUCTIONS

Product: SDHQ-00-9204-U1

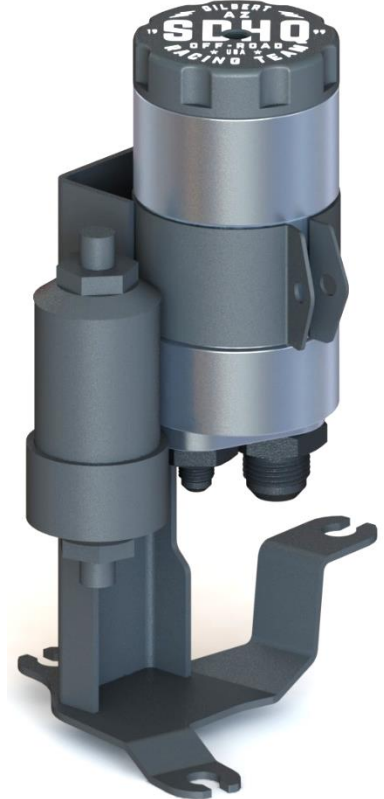
Description: SDHQ Power Steering Reservoir Filter



Tundra Power Steering Kit



4Runner Power Steering Kit



Tacoma Power Steering Kit

<u>Parts List</u>	<u>Hardware List</u>	<u>Required Tools</u>
(1) Filter Clamp SDHQ-00-9220 (1) Filter Clamp Spacer SDHQ-00-9220-A (1) Hardware Package SDHQ-00-9204-A	(1) Aeromotive AN-06 40m Filter (PN: 12348) (2) 1/4" – 20 x 1 1/4" S.S. Socket Head Bolt (2) 1/4" S.S. Washer (2) 1/4" – 20 Clip-on Barrel Nut (1) 9" of Power Steering Hose	3/16" Allen Key #6 AN Wrench (11/16")

Tech Notes

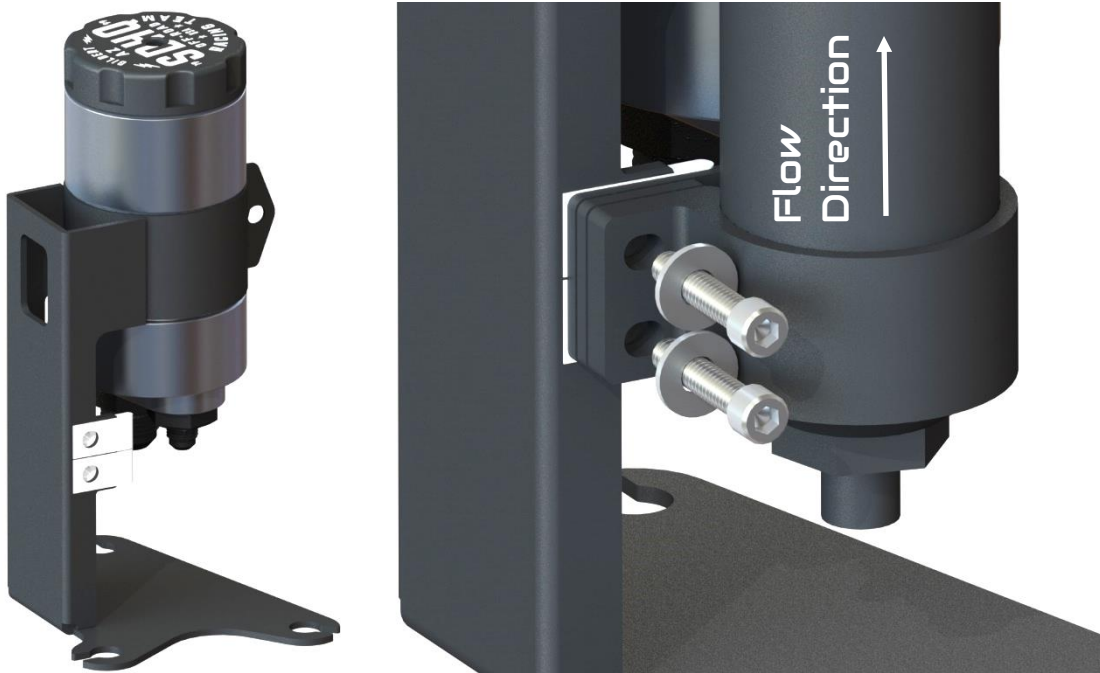
#6 AN Wrench is highly recommended for install, an 11/16" wrench would work also.
 This kit is compatible with all SDHQ Reservoir Mounts. Renderings may show different mounts.
Approx. Install Time: 30 Minutes

READ ALL INSTRUCTIONS THOROUGHLY FROM START TO FINISH BEFORE BEGINNING INSTALLATION!

For questions or help with the installation, please call SDHQ Offroad @ 480-633-2929
 Mon.–Fri. 8:00am–5:30pm and Sat. 8:00am–3:30pm Arizona Time. www.sdhqoffroad.com

Installation Instructions:

1. Unbox all parts and verify all parts are accounted for. Familiarize yourself with the parts.
2. Insert the Aeromotive Filter into the Filter Clamp (SDHQ-00-9220) as pictured below. The filter clamp will be at the bottom of the Aeromotive Filter with the flow direction pointing up.
3. Install the 1/4" – 20 Clip-on Barrel Nuts onto the Power Steering Reservoir Mount.
4. Place the Filter Clamp Spacer in the Filter Clamp. Insert the 1/4" – 20 x 1 1/4" S.S. Socket Head Bolt and washer through the Filter Clamp and Spacer. Tighten the Filter Clamp to the Reservoir Mount.



5. Thread the 90° fitting on the 9" of power steering hose to the top of the Aeromotive Filter. Thread the 150° fitting onto the bottom of the SDHQ Reservoir. Tighten both fittings completely. The Filter install is complete! Continue with your SDHQ Power Steering Reservoir instructions.

Note: During the reservoir mount install, the power steering hose with the 90° fitting will connect to the bottom of the filter.



For questions or help with the installation, please call SDHQ Offroad @ 480-633-2929
Mon.–Fri. 8:00am–5:30pm and Sat. 8:00am–3:30pm Arizona Time. www.sdhqoffroad.com

Double check all hardware is installed correctly and tight

Re-torque ALL bolts after 100 miles



190 S McQueen Rd
Ste 109 Gilbert, AZ 85233
Phone: 480-633-2929 | Fax: 480-633-1791
www.sdhqoffroad.com

Follow us on:



Facebook



Instagram

For questions or help with the installation, please call SDHQ Offroad @ 480-633-2929
Mon.–Fri. 8:00am–5:30pm and Sat. 8:00am–3:30pm Arizona Time. www.sdhqoffroad.com