



SDHQ Motorsports
190 S McQueen Rd
Ste 109 Gilbert, AZ 85233
www.SDHQoffroad.com

Product Packing List

Product: SDHQ-00-1103-U1

Description: SDHQ Built Universal Weld on ARB
Compressor Mount

_____ (1) Compressor Mount

SDHQ-00-1103-U1-A

_____ (2) Compressor Tabs

SDHQ-00-1103-U1-B

_____ (1) Hardware Pack

SDHQ-00-1103-U1-HP

_____ (4) 5/16" - 18 x 1" Grade 8 Hex Bolt

_____ (4) 5/16" - 18 Grade 8 Lock Nut

_____ (8) 5/16" Grade 8 Washer

Inspected and Packaged By: _____ Date: _____

For questions or help with the installation, please email help@sdhqoffroad.com
Store front hours: Mon. - Fri. 8:00am - 5:30pm and Sat. 9:00am - 2:00pm Arizona Time.



SDHQ Motorsports
 190 S McQueen Rd
 Ste 109 Gilbert, AZ 85233
www.SDHQoffroad.com

INSTALLATION INSTRUCTIONS

Product: *SDHQ-00-1103-U1*

Description: SDHQ Built Universal Weld on ARB Compressor Mount



<u>Parts List</u>	<u>Hardware List</u>	<u>Required Tools</u>
(1) SDHQ Compressor Mount SDHQ-00-1103-U1-A (1) SDHQ Compressor Tab SDHQ-00-1103-U1-B (1) SDHQ Hardware Pack SDHQ-00-1103-U1-HP	(4) 5/16" – 18 x 1" Grade 8 Hex Bolt (4) 5/16" – 18 Grade 8 Lock Nut (8) 5/16" Grade 8 Washer	Grinder Welder Misc Welding Equipment 1/2" Socket 1/2" Wrench Ratchet

Tech Notes

Fits ARB single and twin compressors.
 Approx. Install Time: 1 Hour

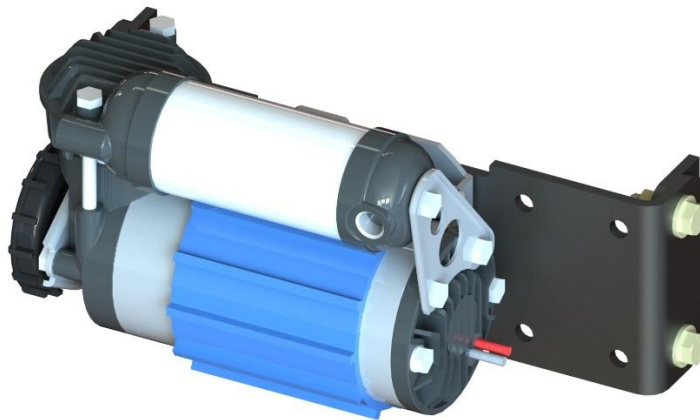
READ ALL INSTRUCTIONS THOROUGHLY FROM START TO FINISH BEFORE BEGINNING INSTALLATION!

For questions or help with the installation, please email help@sdhqoffroad.com
 Store front hours: Mon. – Fri. 8:00am – 5:30pm and Sat. 9:00am – 2:00pm Arizona Time.

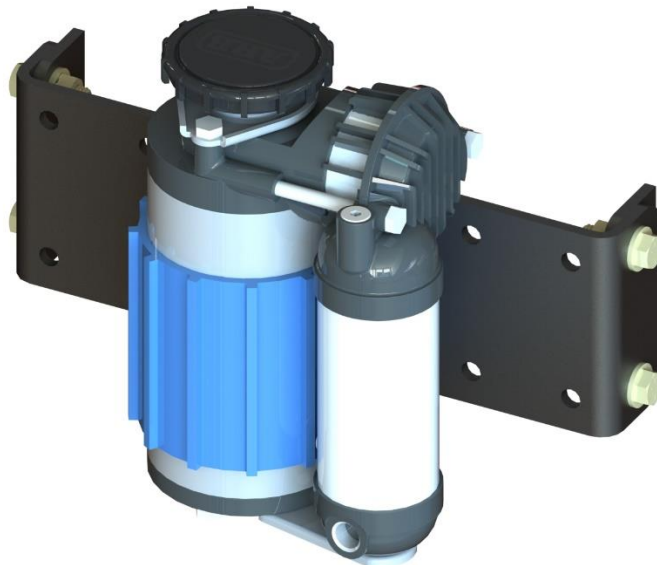
ARB Twin Compressor Mounting



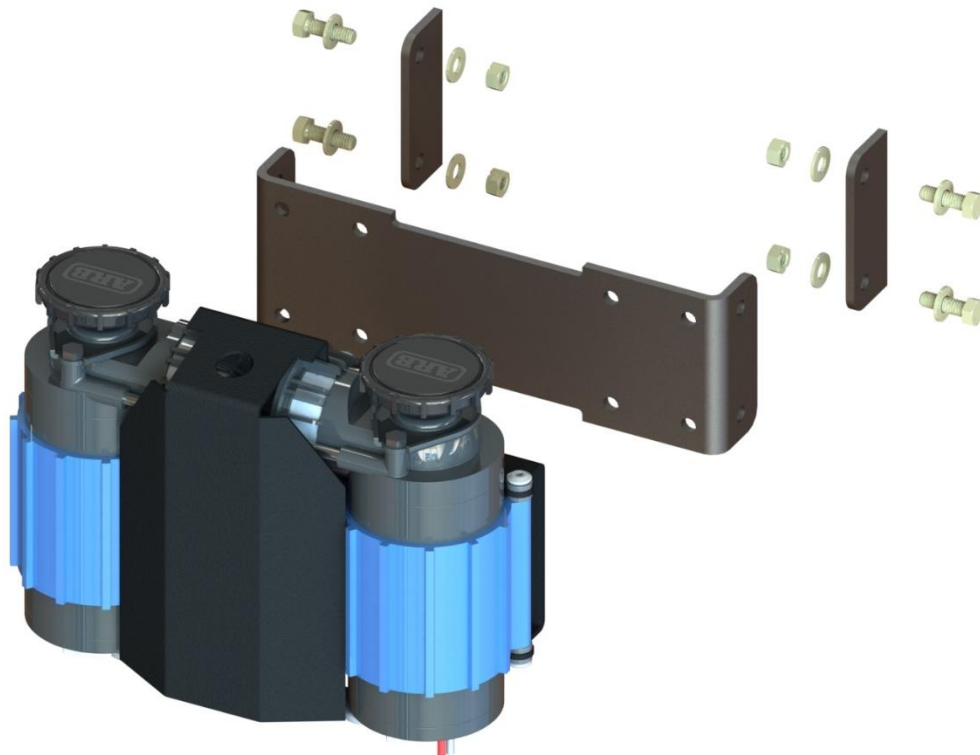
ARB Single Compressor Mounting Option 1



ARB Single Compressor Mounting Option 2



For questions or help with the installation, please email help@sdhqoffroad.com
Store front hours: Mon. – Fri. 8:00am – 5:30pm and Sat. 9:00am – 2:00pm Arizona Time.



Installation Instructions:

1. Unbox all of your parts, gather all required tools and familiarize yourself with the parts.
2. Using ARB supplied hardware, bolt your compressor to the mount. Then bolt the compressor tabs to the mount, one inside the compressor mount flanges and one outside to help with fitment after welding.
3. Clean the mounting location down to bare metal, removing any paint or contaminants. Have someone help hold the compressor mount in the desired location, checking for fitment around the compressor for wiring and air lines. Tack the compressor tabs in place and unbolt the compressor mount from them. Finish welding the tabs and give them a coat of paint.
4. Reinstall the compressor mount to the tabs using the supplied 5/16" hardware. Run wiring and airlines according to ARB instructions. Enjoy your new SDHQ Built Universal Weld on ARB Compressor Mount!



For questions or help with the installation, please email help@sdhqoffroad.com
Store front hours: Mon. – Fri. 8:00am – 5:30pm and Sat. 9:00am – 2:00pm Arizona Time.

Double check all hardware is installed correctly and tight

Re-torque ALL bolts after 100 miles



190 S McQueen Rd
Ste 109 Gilbert, AZ 85233
www.sdhqoffroad.com

Follow us on:



Facebook



Instagram

For questions or help with the installation, please email help@sdhqoffroad.com
Store front hours: Mon. – Fri. 8:00am – 5:30pm and Sat. 9:00am – 2:00pm Arizona Time.