

TEAM · HERITAGE

**BRAYUR**

SINCE NOW

WELCOME TO THE BRAVUR FAMILY



## THANK YOU!

Thank you for choosing a watch from Bravur!

Your watch has been designed, assembled and tested in Sweden, with the greatest care and attention to details.

We hope you will enjoy your new watch for many years to come!

Kind regards,

Magnus & Johan, founders

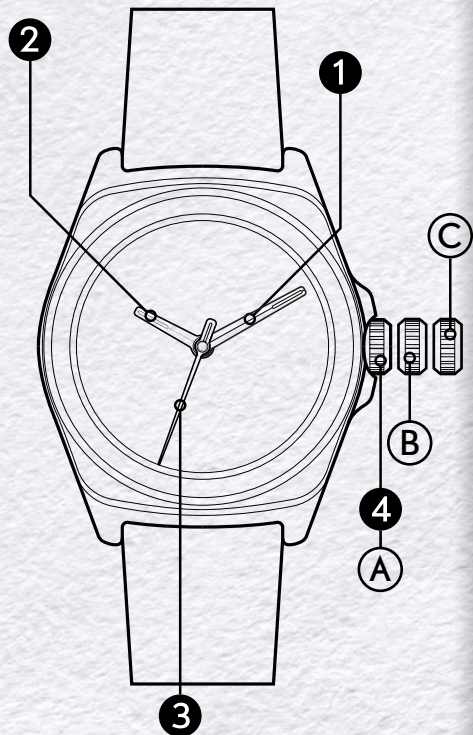
# CONTENTS

- 9      Setting the Time
- 15     Care & Maintenance
- 21     Specifications
- 27     Measurements
- 31     Warranty
- 35     Contact information





# SETTING THE TIME



- 1** Minute hand
- 2** Hour hand
- 3** Second hand
- 4** Screw down crown with two positions

### **Setting the time**

1. Turn the crown (4) counterclockwise to unscrew the crown. Once it is fully unscrewed the crown will be in position B.

2. Pull out the crown to position C. Turn the crown clockwise or counterclockwise to set the correct time. Note that the second hand stops in this position.

3. After setting the time, push the crown to position B. Push the crown towards the case, while simultaneously turning the crown clockwise to screw it back to position A. Please note that the watch will not be fully water resistant if the crown has not been screwed down fully.

In case your watch has stopped after not being used for a period of time, it's recommended to manually

wind it to start. This is done with the crown in position B.

The crown should be turned clockwise, seen from the side, approximately 15-20 turns.



# CARE & MAINTENANCE



Please follow these guidelines to get the best performance from your watch.

### **Movement**

If the watch is worn for 12 or more hours daily, the automatic rotor winds the movement, eliminating the need for manual winding. In case the watch has stopped due to non-use, it's advisable to manually wind it using the crown in position B. Rotate the crown clockwise approximately 15-20 turns.

Please note that regular daily wear may not fully wind the movement, and a 41-hour power reserve cannot be guaranteed. For individuals with a sedentary lifestyle, manual winding may be necessary to ensure the watch stays operational.

The accuracy stated in the specifications section may change over time. As a mechanical watch, quartz watch accuracy cannot be expected.

### **Magnetic fields**

Avoid exposing your watch to strong magnetic fields, such as those generated by X-ray machines and loudspeakers, as it can magnetize the watch movement, negatively affecting its performance and accuracy.

### **Shocks**

Avoid exposing your watch to mechanical and thermal shocks as it may damage the delicate moving parts of the watch.

### **Service**

Your watch consists of hundreds of small parts and needs occasional service to maintain its performance and accuracy. Full service is advised every 4-5 years.

Service should be performed by an approved watch maker or sent to a Bravur service center. Contact us for more information.

### **Cleaning**

You may use a damp cloth to clean your watch. A tooth brush and some water with mild detergent may be used for a more serious cleaning. Prevent the leather strap from coming in contact with moisture.

### **Water resistance**

Your watch is tested to resist 10 ATM of static pressure in a controlled environment when new. Please note that this is not equivalent to water resistance. 10 ATM means

it's suitable for swimming but not scuba diving. The optional leather strap is not suitable for swimming. Gaskets and seals should be inspected and replaced regularly by a watchmaker to maintain full water resistance.

Note that the crown must be fully screwed down to position A to be protected from water.

### **Leather strap (optional)**

Avoid letting leather straps come in contact with water, as it will shorten their lifespan.



## SPECIFICATIONS

### **Movement**

Swiss Made Sellita SW200-1, 26  
jewels, self winding, stop second  
device

### **Power reserve**

Up to 41 hours

### **Frequency**

28 800 (4 Hz)  
8 beats per second

### **Accuracy**

Daily rate 7 +/- 7 s/d  
Isochronism (after 24h)  
+/- 15 s/d

### **Case**

Stainless steel, 316L, 37 mm, 44,6  
mm lug to lug  
Models with black case: PVD  
coating

### **Case back**

Stainless steel

### **Lug width**

18 mm

### **Crystal**

Domed sapphire, inside anti-  
reflective coating.

### **Hands**

Hour and minute:  
Rhodium plated, Super-LumiNova  
Painted second hand with accent  
color on counter balance

### **Water resistance**

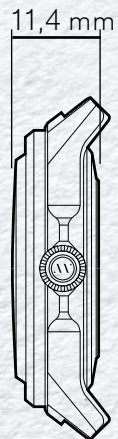
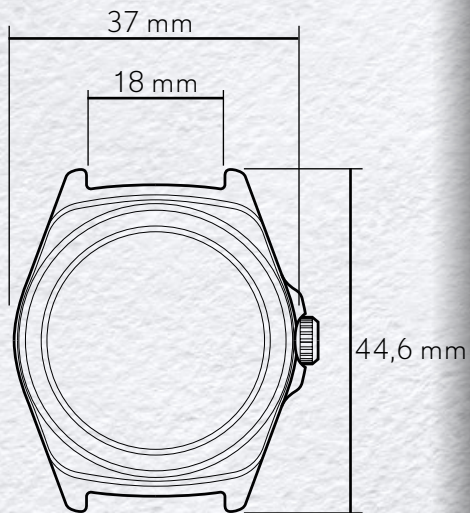
10 ATM

**HANDBUILT IN  
BÅSTAD, SWEDEN**





# MEASUREMENTS





## WARRANTY

Your Bravur watch is covered by a comprehensive two-year warranty from the original date of purchase.

The warranty encompasses repairs necessary due to defects in materials or workmanship under normal use.

Bravur's commitments in this regard are limited to repair or replacement at its discretion.

Please note that the warranty excludes the strap/bracelet and damage from excessive wear to the case, plating, crystal, or strap.

It's important to understand that the warranty does not extend to cover periodic service and maintenance.

Any service, maintenance, repairs, or servicing that is improperly

or incorrectly performed will void the warranty. If the service and maintenance, repairs, or servicing require opening the case, it must be conducted by a qualified watchmaker.





## CONTACT INFORMATION

**Bravur Watches AB**

Katarina Bangata 33

116 39 Stockholm

Sweden

[info@bravurwatches.com](mailto:info@bravurwatches.com)

TEAM · HERITAGE

**BRAYUR**

SINCE NOW