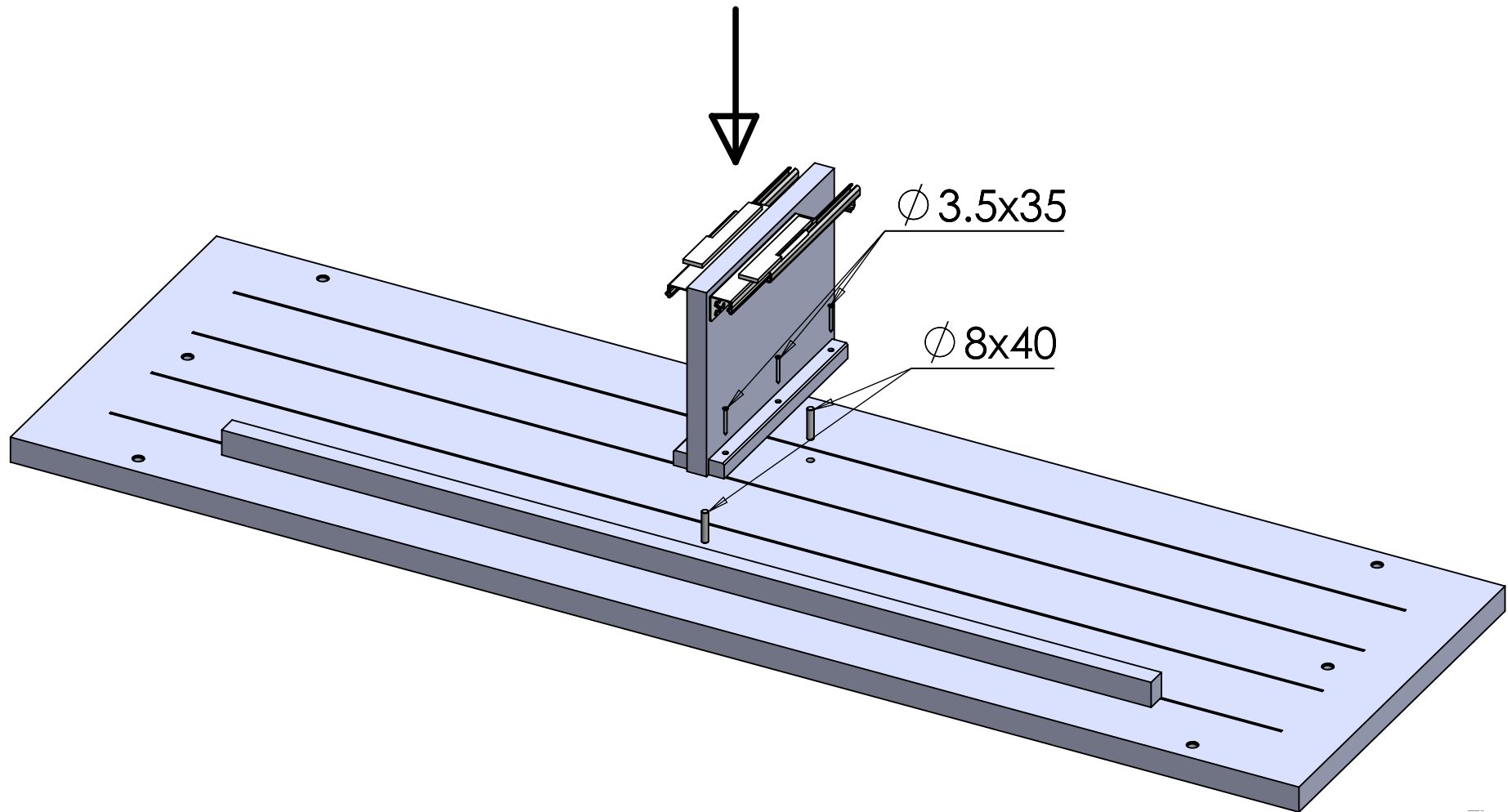
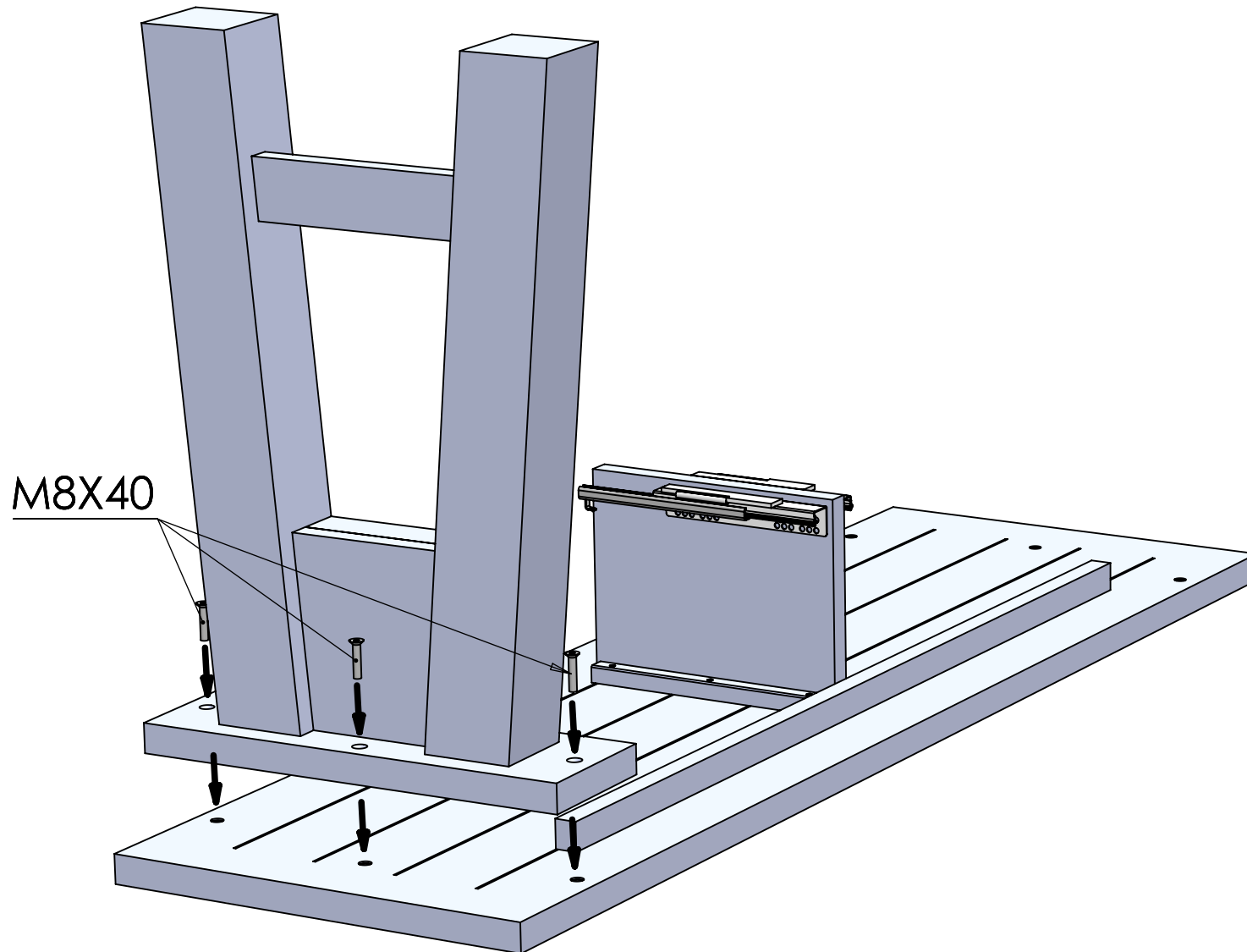


Castle Plus

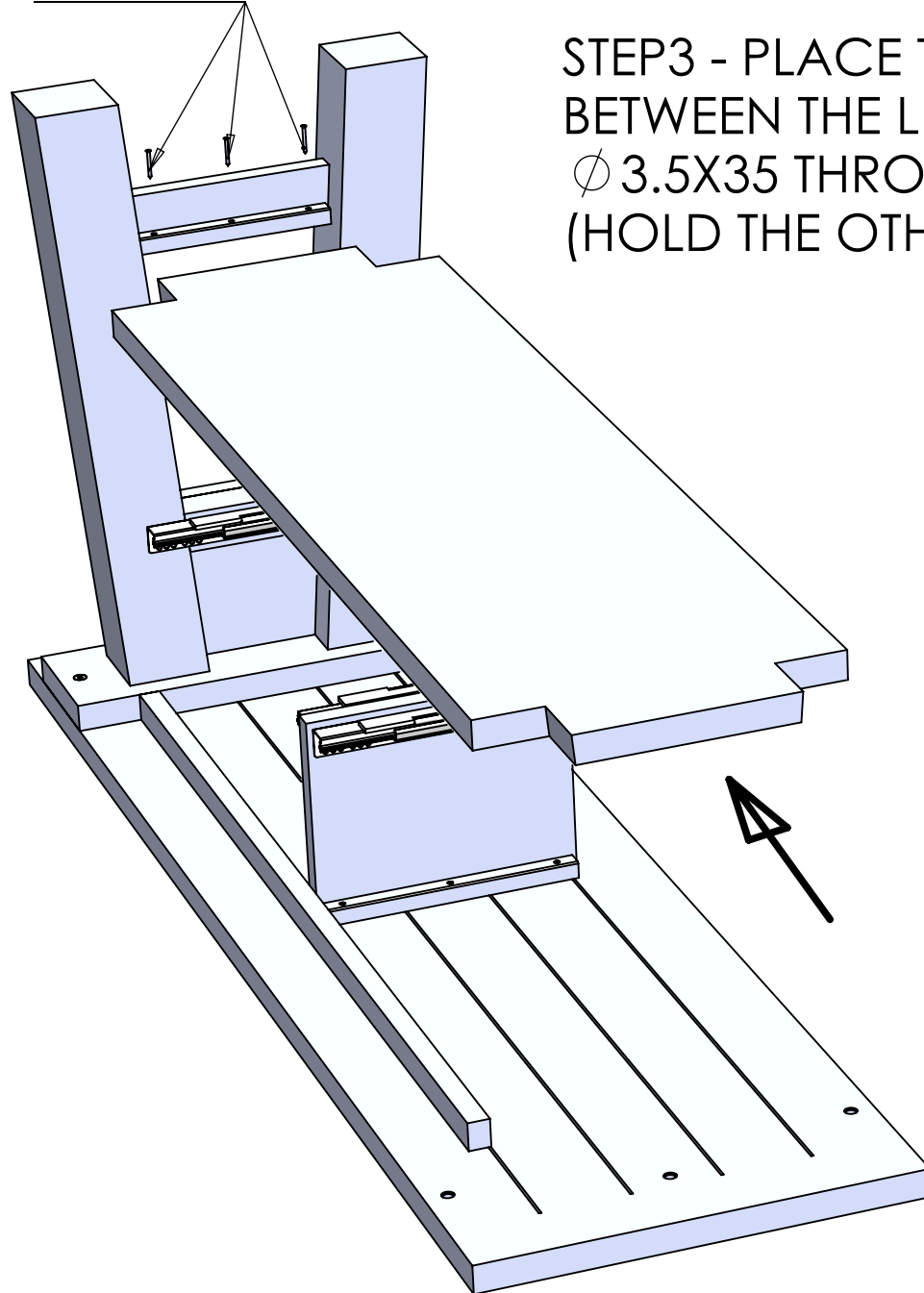
STEP1 - ON THE TOP TURNED UPSIDE DOWN PUT THE 2NO ° DOWELS LOCATED ON THE SIDE OF THE WALL IN THE CENTER HOLES AS SHOWN BELOW AND FIX IT IN POSITION WITH 6NO ° SCREWS \varnothing 3.5X35



STEP2 - PLACE ONE OF THE LEGS IN POSITION
AND FIX IT WITH 3NO ° SCREWS M8X40

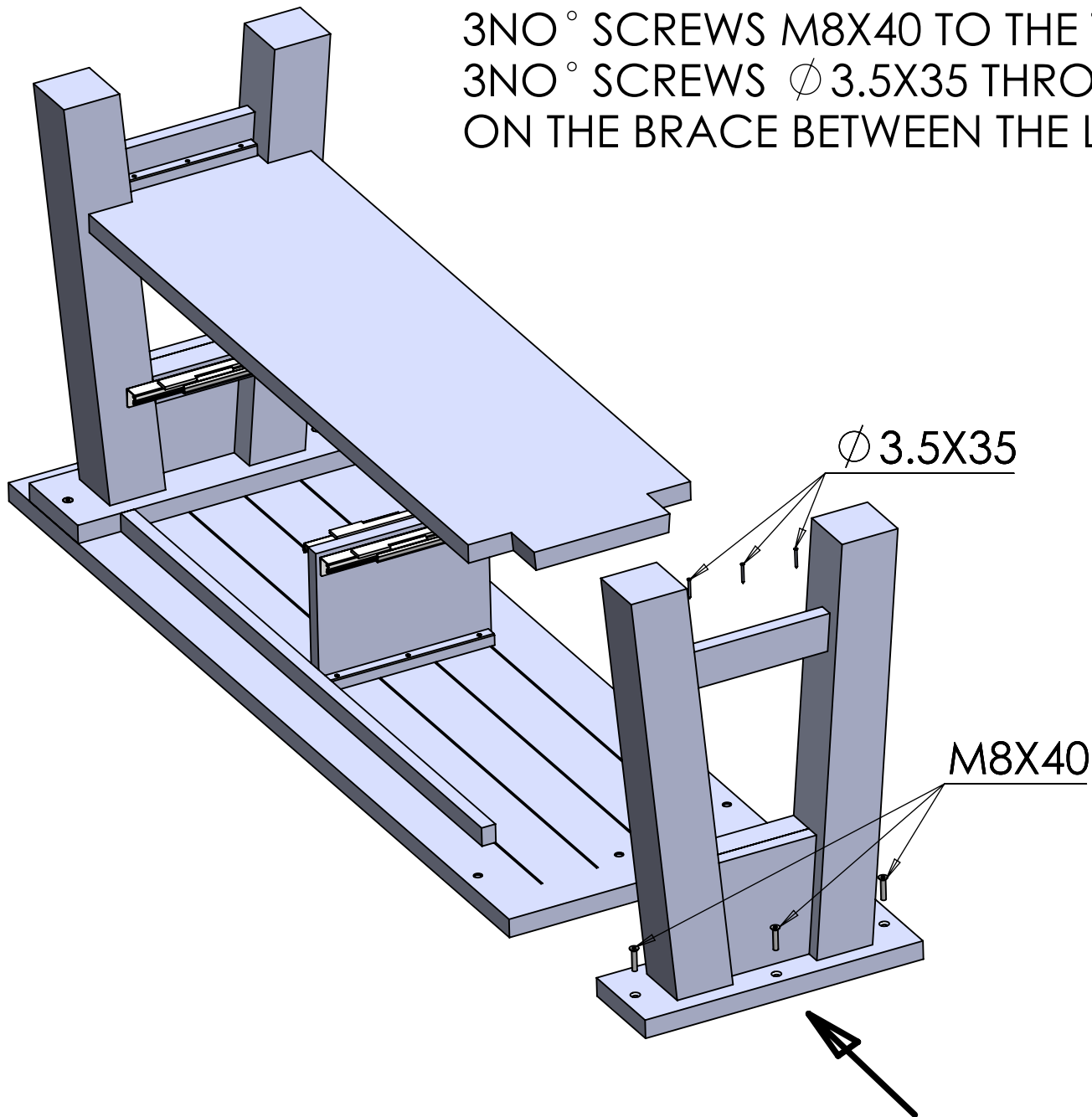


$\phi 3.5 \times 35$

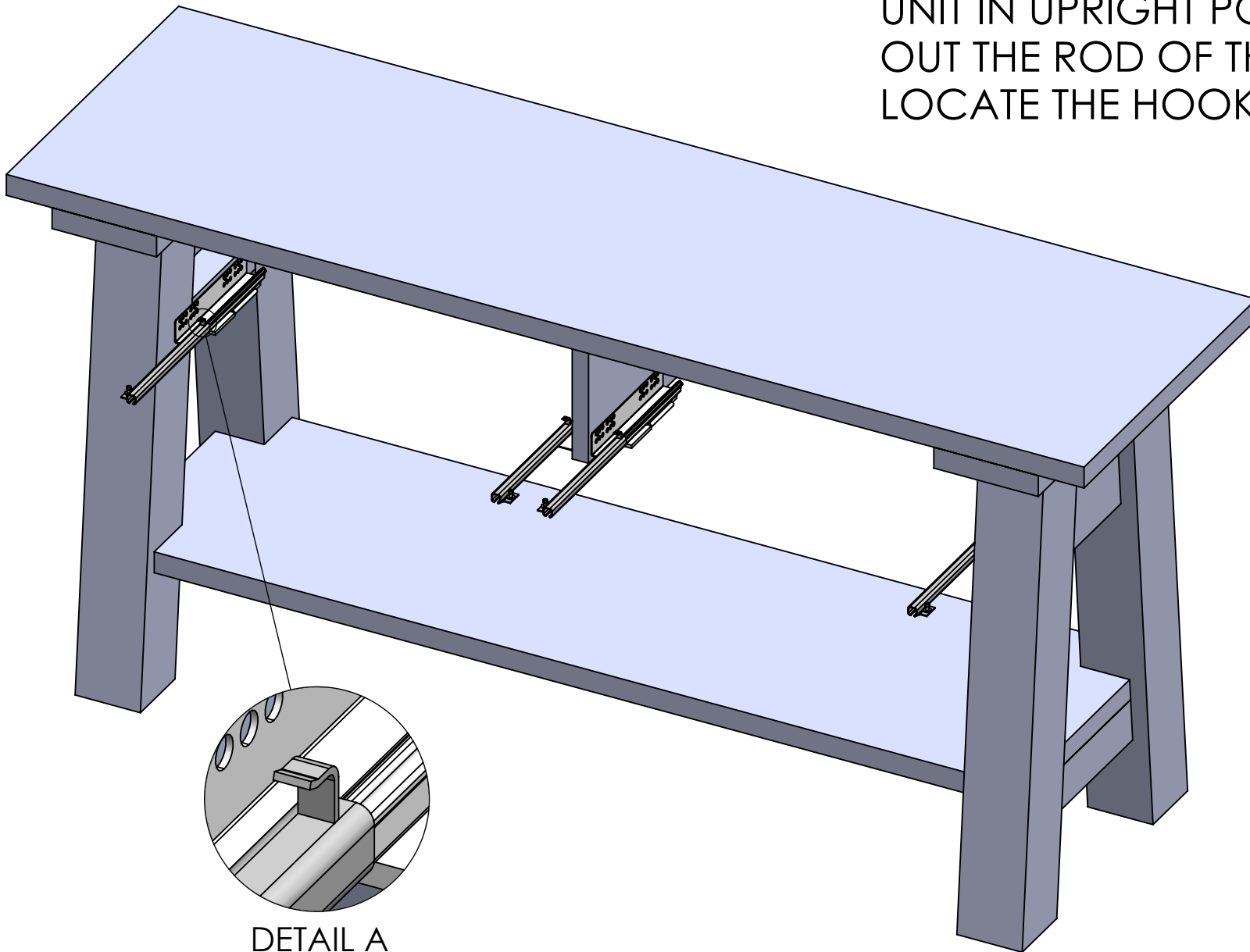


STEP3 - PLACE THE SHELF UNDERNEATH THE BRACE
BETWEEN THE LEGS AND FIX IT WITH 3 NO ° SCREWS
 $\phi 3.5 \times 35$ THROUGH THE BATTEN
(HOLD THE OTHER END UNTIL STEP4 IS COMPLETED)

STEP4 - PUSH THE OTHER LEG IN POSITION THEN FIX IT WITH 3NO ° SCREWS M8X40 TO THE TOP, THEN FIX THE SHELF WITH 3NO ° SCREWS \varnothing 3.5X35 THROUGH THE BATTEN SITUATED ON THE BRACE BETWEEN THE LEGS



STEP5 - FLIP THE BATHROOM SINK UNIT IN UPRIGHT POSITION, PULL OUT THE ROD OF THE SLIDES AND LOCATE THE HOOK FROM DETAIL A



DETAIL A
SCALE 1 : 1

STEP 6 - PUSH THE DRAWERS ON THE DRAWER SLIDES ALL THE WAY THROUGH UNTIL IT CLICKS IN PLACE

