

Quest F9

Installation, Operation and Maintenance Instructions

– Read and Save These Instructions –

This manual is provided to acquaint you with the Quest F9 air mover so that installation, operation and maintenance can proceed successfully. Ultimate satisfaction depends on the quality of set up and a thorough understanding of this equipment. The Quest F9 is built around tested engineering principles and has passed a thorough inspection for quality of workmanship and function.

US Patent D782, O22
Other Patents Pending

©Technologies Holdings Corp.



Quest F9:

- 925 CFM, 1.9A
- Onboard circuit breaker and branch protection GFCI
- Daisy chain up to 6 fans on a single 15 Amp circuit
- Ultra secure stacking and cord wrap
- All Stainless Steel Fasteners



4201 Lien Rd
Madison, WI 53704
www.QuestHydro.com

Phone 608-237-8400
Toll-Free 1-877-420-1330
info@QuestHydro.com

Table of Contents

Introduction 1

1. Specifications 3

2. Important Safety Instructions 3

3. Operation 3

 3.1 Transporting the Quest F9 3

 3.2 Electrical Requirements 3

 3.3 Ducting 4

 3.4 Resettable Circuit Breaker 4

 3.5 GFCI Protection and On-Board Duplex Receptacle 4

4. Maintenance 4

 4.1 Power Cord 4

 4.2 Cleaning 4

 4.3 Service 5

5. Wiring Diagram 5

6. Service Parts 6

 Warranty 7

Serial No. _____

Purchase Date ____/____/____

Dealer's Name _____



1. Specifications

Part No.	4035030
Power	110-120 VAC, 1.9 Amps
Blower	925 CFM
Cord	20' 6" 14ga Power Cord
Warranty	One Year, 100% Parts and Labor
Dimensions	Width 17"
	Height 8 7/8"
	Depth 20 1/2"
	Weight 21 lbs.

2. Important Safety Instructions

CAUTION: Risk of electric shock. Can cause injury or death to reduce the risk of electric shock:

- Do not expose to standing water or rain
- Unplug fan before servicing.
- Do not block air intake or outlet. One foot minimum distance to obstructions.
- Indoor use only
- Do not use as stool or bench
- Do not operate with damaged cord or plug.
- Do not run cord under carpeting. Do not cover cord with throw rugs, runners, or similar coverings. Do not route cord under furniture or appliances. Arrange cord away from traffic area and where it will not be tripped over.

WARNING: Not Suitable for use with Solid-State Speed Controls

AVERTISSEMENT: Ne Convient Pas a Des Regulateurs De Vitesse a Semi-Conducteurs

3. Operation

3.1 Transporting the Quest F9

The Quest F9 is designed to be stacked vertically or horizontally ("Bookshelf Stacking") for transport.

3.2 Electrical Requirements

The Quest F9 can be plugged directly into any standard wall receptacle. Without ducting, the Quest F9 will draw 1.9 amps at 120 VAC. Ducting will reduce amp draw. Up to 6 Quest F9s can be daisy chained on a standard 15 amp branch circuit.

3.3 Ducting

The lip on the exhaust opening of the Quest F9 is designed to accommodate layflat ducting with 14" or larger diameter.

3.4 Resettable Circuit Breaker

The 12 Amp thermal circuit breaker protects the unit and devices connected to its duplex GFCI receptacle. In case of a fault, the breaker can be reset at the Quest F9 control panel.

Use of multiple fans and any other connected devices must be in accordance with the National Electric Code and any additional codes or laws required by your local government.

IMPORTANT: Total amperage of the Quest F9 plus all devices plugged into its convenience receptacle is limited by the onboard circuit breaker. Excessive current will cause the circuit breaker to trip. This may occur instantly or after a period of time depending on the operating conditions.

IMPORTANT: When the Quest F9 is plugged into a standard "powered" wall outlet the Quest F9's duplex outlet is electrically "HOT" and AC voltage is present.

3.5 GFCI Protection and the On-Board Duplex Receptacle

The on-board convenience receptacle provides electrical shock protection for the operator in damp or wet applications or other conditions that would cause a ground fault. The Quest F9 is wired to branch protect all on-board components in addition to protecting any fans or other equipment plugged into the onboard receptacle.

Testing GFCI operation can be done by pressing the "TEST" button located on the GFCI duplex outlet. If operating properly, the "RESET" button will pop out. In addition, notice that the fan will NOT operate if the GFCI outlet is in the TRIPPED condition as the motor and other on-board components are included in the GFCI protected circuit.

The GFCI circuit can only be "RESET" when the Quest F9 is connected to a properly grounded wall outlet providing the rated voltage.

4. Maintenance

WARNING: Disconnect the unit from power before servicing or cleaning. Replace all safety grills after servicing or cleaning.

4.1 Power Cord

Visually inspect cord and plug head before use. If there are signs of damage or excessive wear, discontinue use until the unit has been serviced.

4.2 Cleaning

The housing is made of durable and washable polypropylene. When cleaning, the use of solvents is NOT recommended.

When washing inside the unit, disconnect the unit from its power source. Protect the switch, receptacle and circuit breaker from water intrusion. Do not spray water or cleaning solution at motor. If motor does get wet, allow motor to dry completely before restarting. If fan is to be washed and not used within 24 hours, allow fan to drip dry for 10 minutes and then run for 5 minutes before storing.

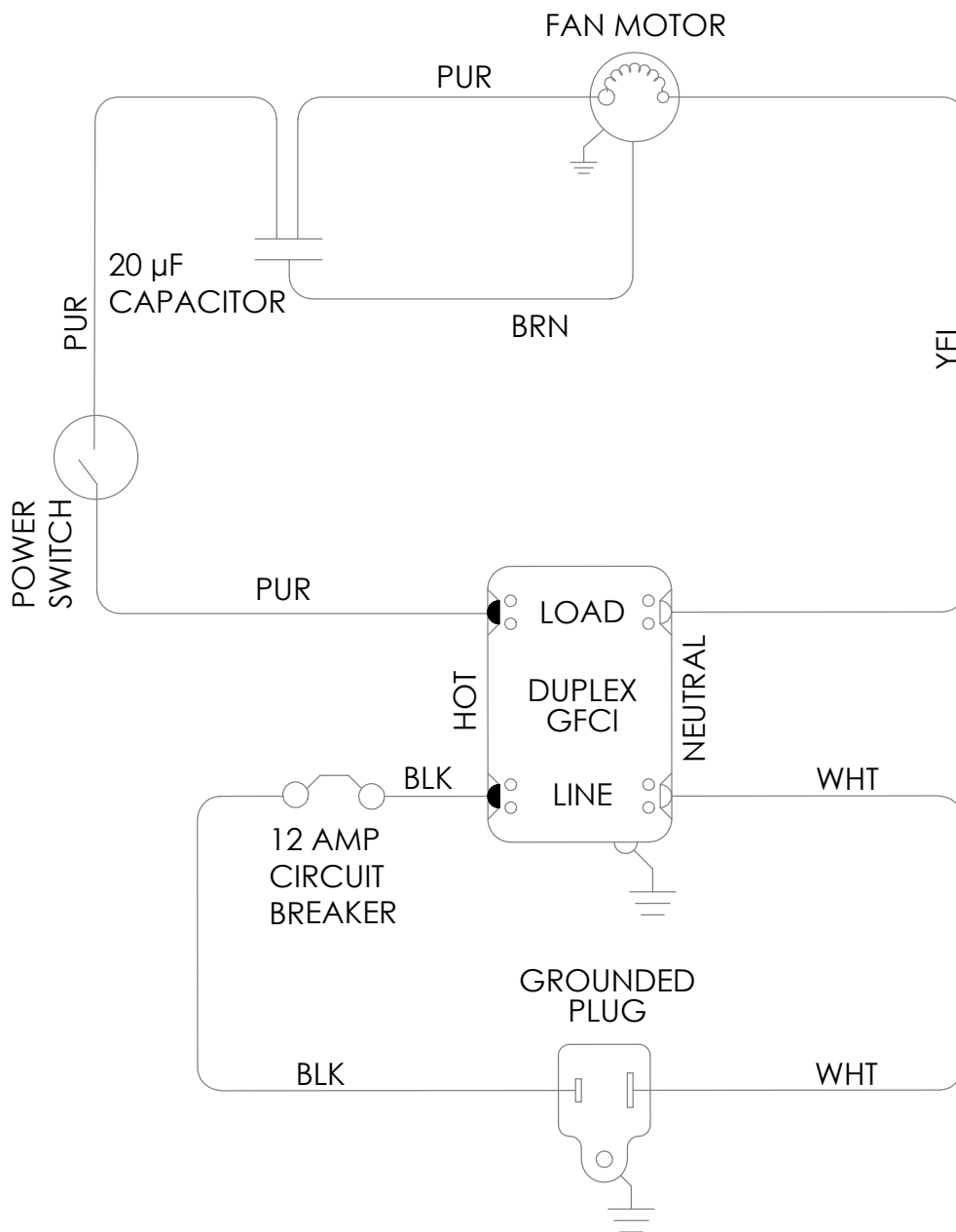
IMPORTANT: Do NOT remove impeller blade from motor assembly. Doing so can cause blade to become imbalanced upon re-assembly.

4.3 Service

CAUTION: Servicing the Quest F9 with its high voltage circuitry presents a health hazard that could result in death, serious bodily injury, and/or property damage. Disconnect the appliance from the power supply before servicing. Only qualified service people should service this unit.

CAUTION: If the supply cord or GFCI become damaged, they must be replaced by the manufacturer, its service agent or similarly qualified person in order to avoid a hazard.

5. Wiring Diagram



6. Service Parts

Part No.	Description	Optional Parts	
4035662	Impeller Assembly	4024936	Duct, Lay Flat, 14" x 250'
4037338	Power Cord Kit (cord, bolts & nuts)		
4035235-08	Run Capacitor, 20 mfd, 370 VAC		
4035665	Rubber Feet		
4036256	Duplex GFCI Outlet Kit		
4035825	Rocker Switch		
4035752	12A Circuit Breaker		
4037469	Inlet Grill		
4037336	20' 6" Cord Only		

Quest F9 Limited Warranty

Warrantor:

Therma-Stor LLC
4201 Lien Rd
Madison, WI 53704
Telephone: 1-866-933-7486

Who Is Covered: This warranty covers Quest F9.

First Year Warranty: 100% parts and labor (all components)

End-User Responsibilities: Warranty service must be performed by a servicer authorized by Therma-Stor Products. To obtain warranty service you must obtain a return material authorization (RMA). To obtain an RMA you must present proof of purchase or (lease), by use of a warranty card, original sales receipt or other reasonable and reliable means.

To obtain an RMA call Therma-Stor LLC at the above number and ask for the Therma-Stor LLC Service Department, which will then issue an RMA# and arrange for, at our option, either repair or replacement.

Freight: Freight to and from the servicer is the responsibility of the end-user. The end-user is responsible for normal care and proper return packaging.

Limitations and Exclusions: This warranty does not cover any defect, malfunction, etc. resulting from misuse, abuse, lack of normal care, corrosion, freezing, tampering, modification, unauthorized or improper repair or installation, accident, acts of nature or any other cause beyond Therma-Stor LLC's reasonable control.

If any Quest F9 part is repaired or replaced, the new part shall be warranted for the balance of original warranty (but all warranty periods will be extended by the period of time, if any, that the Quest F9 with FOCUS Technology is out of service while awaiting covered warranty service).

Warranty service will be performed during normal working hours.

UPON THE EXPIRATION OF THE WRITTEN WARRANTY APPLICABLE TO THE QUEST F9 OR ANY PART THEREOF, ALL OTHER WARRANTIES IMPLIED BY LAW, INCLUDING MERCHANTABILITY AND FITNESS FOR A PARTICULAR PURPOSE, SHALL ALSO EXPIRE. ALL WARRANTIES MADE BY THERMA-STOR LLC ARE SET FORTH HEREIN, AND NO CLAIM MAY BE MADE AGAINST THERMA-STOR BASED ON ANY ORAL WARRANTY. IN NO EVENT SHALL THERMA-STOR LLC, IN CONNECTION WITH THE SALE, INSTALLATION, USE, REPAIR OR REPLACEMENT OF ANY QUEST F9 OR PART THEREOF BE LIABLE UNDER ANY LEGAL THEORY FOR ANY SPECIAL, INDIRECT OR CONSEQUENTIAL DAMAGES INCLUDING WITHOUT LIMITATION WATER DAMAGE (THE END USER SHOULD TAKE PRECAUTIONS AGAINST SAME), LOST PROFITS, DELAY, OR LOSS OF USE OR DAMAGE TO ANY REAL OR PERSONAL PROPERTY.

Some states do not allow limitations on how long an implied warranty lasts, and some do not allow the exclusion or limitation of incidental or consequential damages, so one or both of these limitations may not apply to you.

Legal Rights: This warranty gives you specific legal rights, and you may also have other rights which vary from state to state.