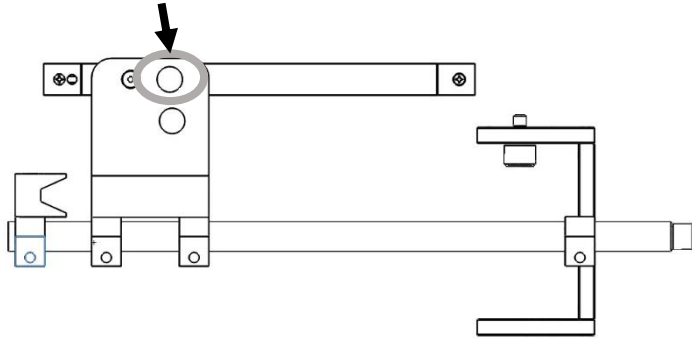
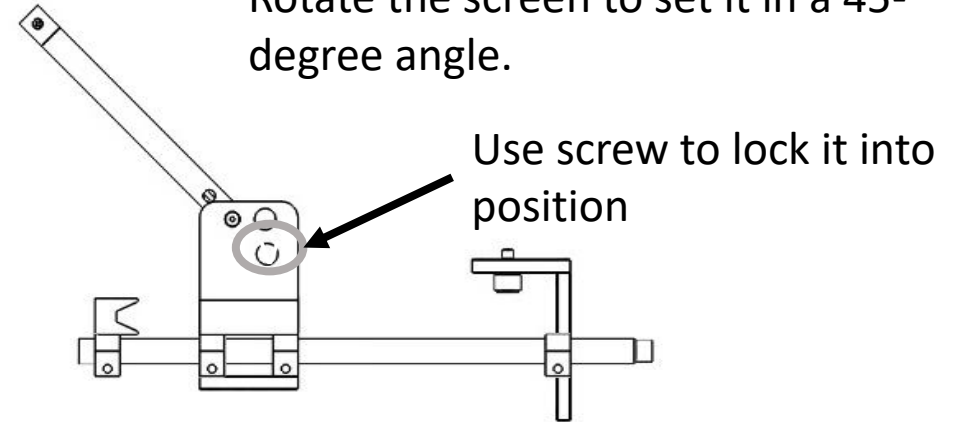


- ① To use the TMP 500, first unlock the screen from its horizontal position.

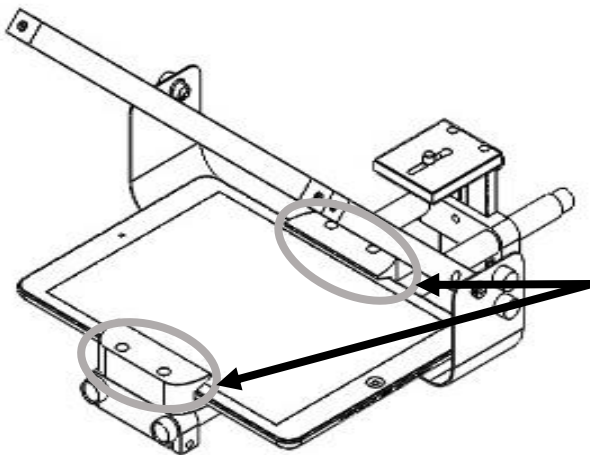


Lock the screen back when putting away the TMP 500.

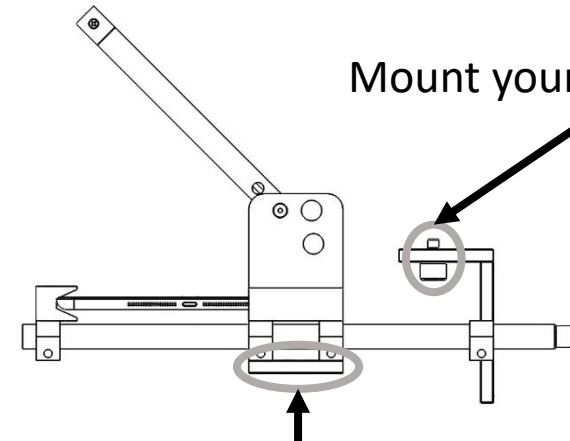
- ② Rotate the screen to set it in a 45-degree angle.



- ③ Use the 2 clamps to position your tablet or cellphone.



- ④ Mount your camera here
- Adjust the height of the camera as needed.



Use this plate to mount onto a tripod



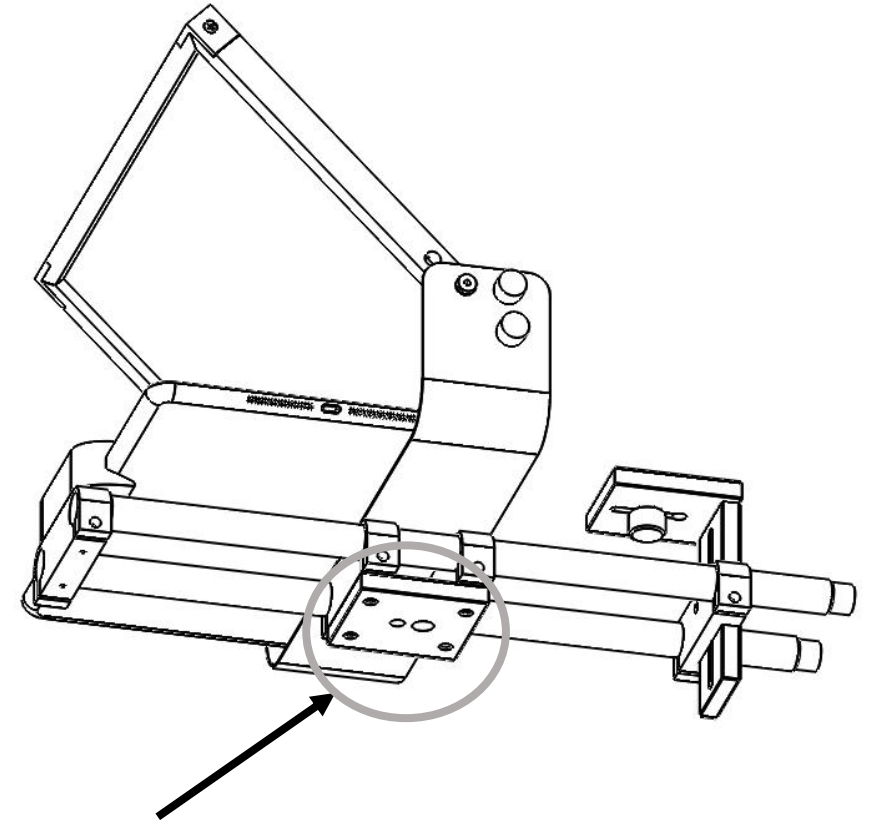
Teleprompter – TMP 500

The TMP 500 can be used with:

- Most cellphones and tablets as a monitor.
- Most cameras:
 - Most DSLR's (depending on the lens)
 - Any cellphone
 - GoPro's (set in narrow angle)



The TMP 500 comes with 15mm diameter rods and can be mounted to most shoulder rigs such as the Glide Gear Horn Shoulder rigs as pictured on the left.



The TMP 500 features $\frac{1}{4}$ -20 and $\frac{3}{8}$ -16 mounting holes for tripods.