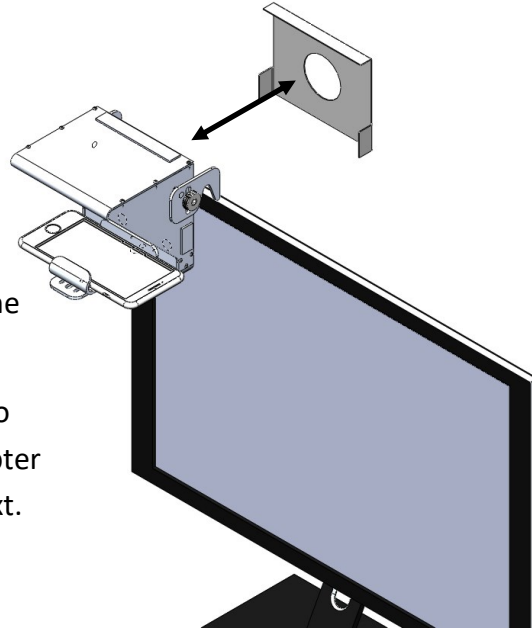




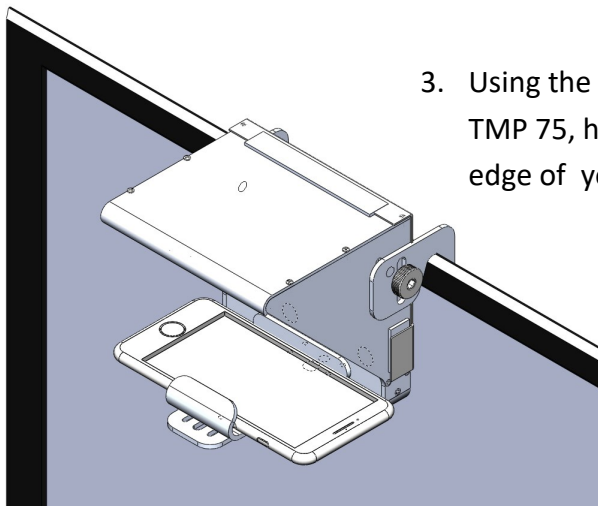
TMP 75 - Webcam Setup

1. Using the Velcro strips, attach the cover with a circular hole in the back of the TMP 75.



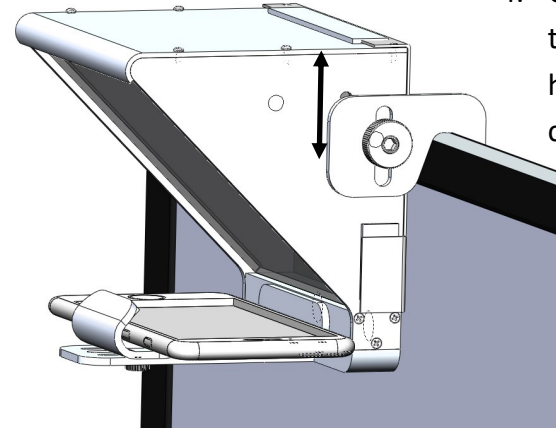
2. Install your smartphone in the front of the TMP 75.

Please note that you will need to download a 3rd party teleprompter app with the ability to mirror text.



3. Using the 2 holders on the back sides of the TMP 75, hang the teleprompter on the top edge of your monitor.

4. Using the thumb screws on the side holders, center the hole in the cover with your computer's camera.





TMP 75 - Video Camera Setup

