



TMP 750

Requirements

In order to use the TMP 750, you will need the following items, which are not included with the TMP 750:

- A video recording device such as a DSLR or a Mirrorless camera, a tablet or a smartphone. **The TMP 750 does not come with a phone or a tablet mount/adaptor.**
- A device, typically, a tablet or a cellphone, displaying the script to be read in front of the camera. **The device will need to be equipped with a teleprompting application or software allowing mirroring of text.**
- A tripod capable of supporting the weight of the entire setup.

Compatibility

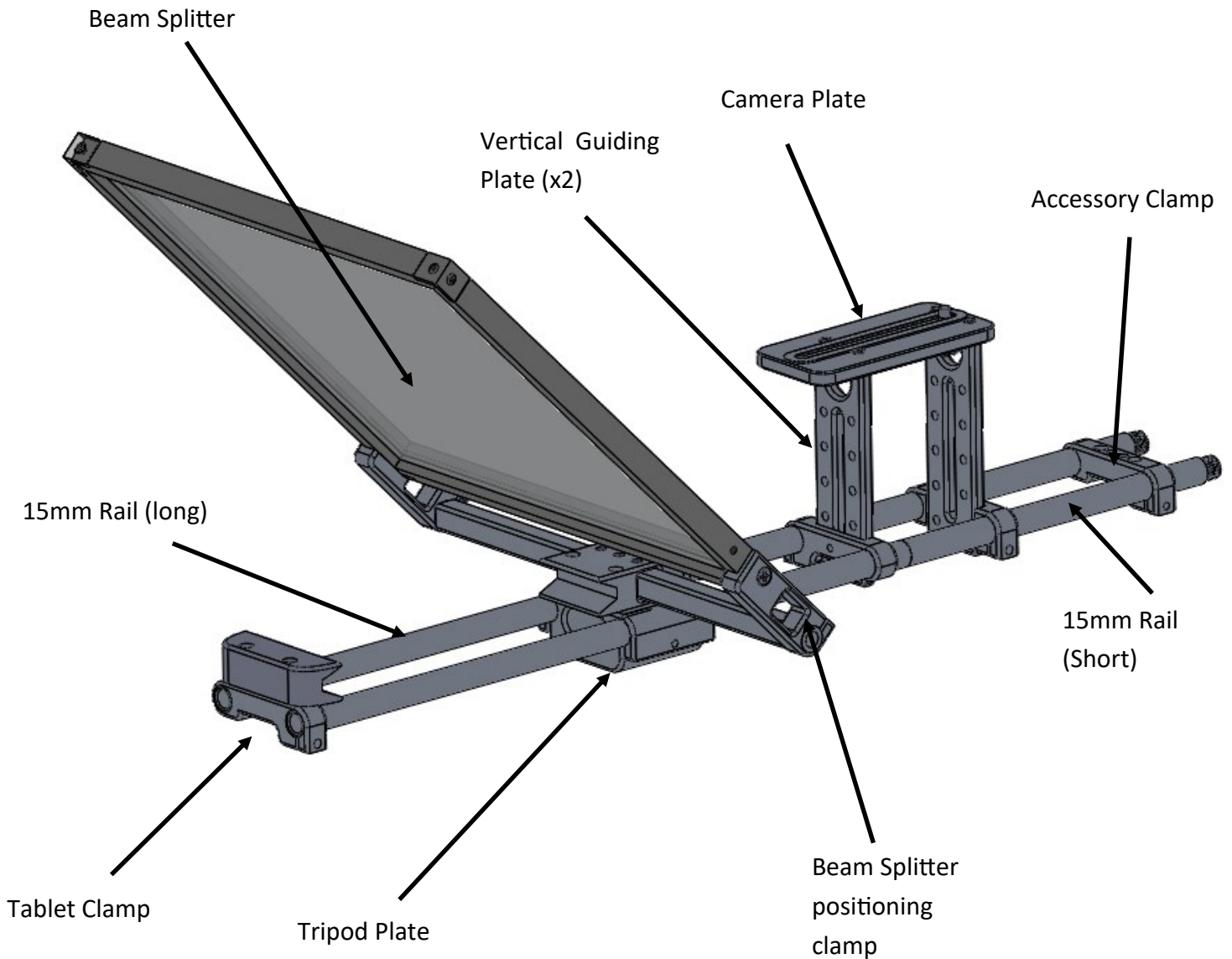
- DSLR/Mirrorless Cameras: the distance between the mounting hole at the bottom of the camera and the front of the lens should not exceed 12" or 30cm
- Tablet/Cell phone: the maximum display the TMP 750 will accommodate without part of the screen not being cut off is 11.5"x 9" or 29cm x 22cm

App Download



Download a free or a paid version of a teleprompter in the app store of your tablet or cellphone. **The app must be able to mirror the script in order to function properly with the TMP 750.**

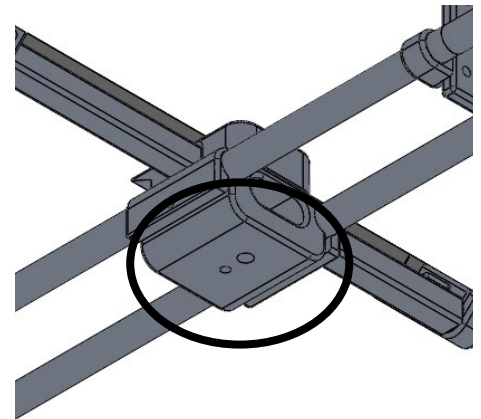
CONTENTS



NOTE: The Beam Splitter Hood is not displayed in this schematic.

ASSEMBLY

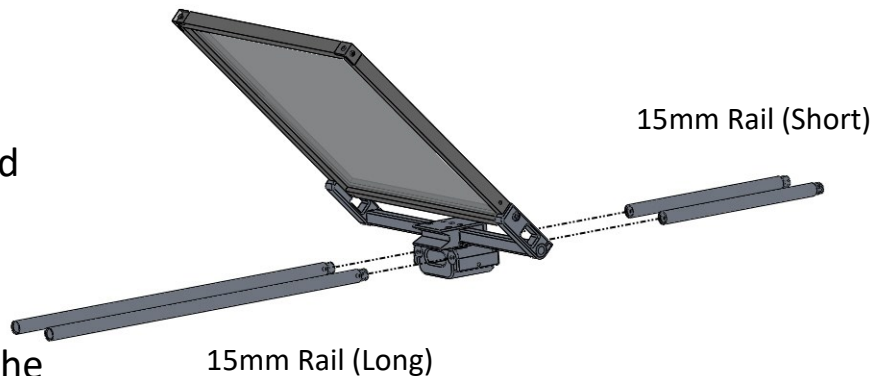
- 1 The TMP 750 must be mounted on a tripod. Remove the cheese plate from the tripod head and screw it onto one of the 2 mounting holes at the bottom of the Tripod Plate.



- 2 Slide the Long Rails through the Tripod Plate.

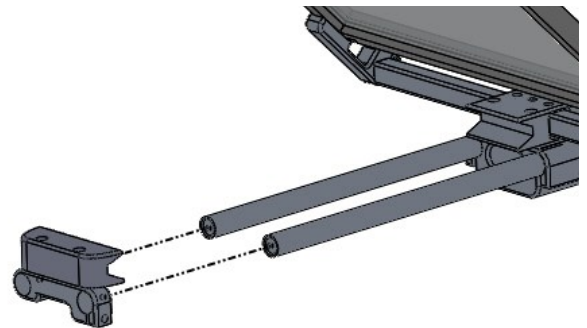
If necessary, use the supplied Short Rails to increase the length of the rails.

Lock the rail in place using the Tripod Plate's thumb screws.

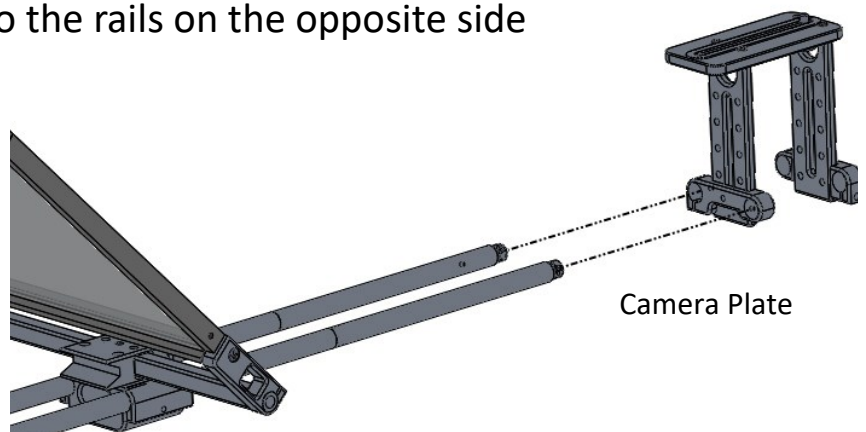


- 3 Slide the Tablet Clamp onto the Long Rails.

Make sure the Tripod Plate's Clamp and the Tablet Clamp are facing each other.



- 4 Slide the Camera Plate onto the rails on the opposite side of the Beam Splitter.

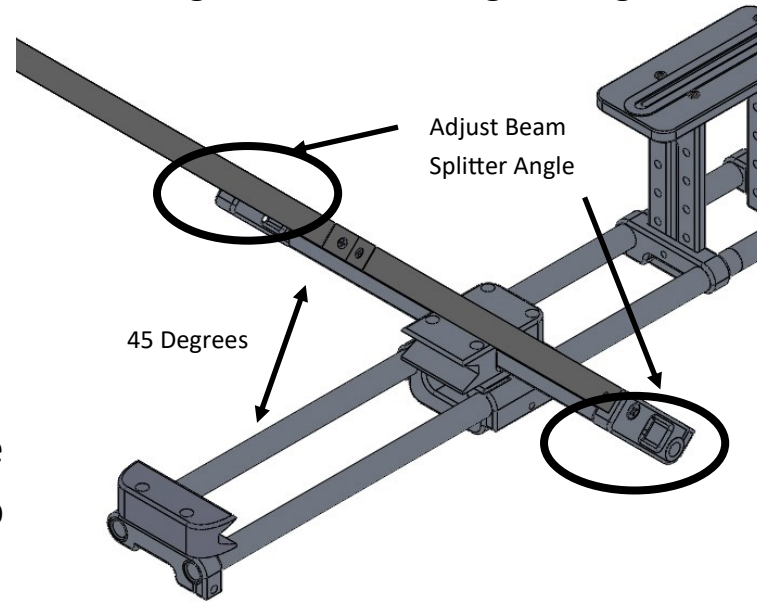


ASSEMBLY

- 5 Using the 2 thumb screws on the sides of the Beam Splitter, set the angle between the Beam Splitter and the Long Rails to a 45-degree angle. Your setup should look like the figure on the right.

- 6 Mount the camera onto the Camera Plate.

- 7 Secure the Device displaying the script between the Tablet Clamp and the Tripod Plate.



Adjustments

