



TMP 500

Requirements

In order to use the TMP 500, you will need the following items, which are not included with the TMP 500:

- A video recording device such as a DSLR or a Mirrorless camera, a tablet or a smartphone. **The TMP 500 does not come with a phone or a tablet mount/adapter.**
- A device, typically, a tablet or a cellphone, displaying the script to be read in front of the camera. **The device will need to be equipped with a teleprompting application or software allowing mirroring of text.**
- A tripod capable of supporting the weight of the entire setup.

Compatibility

- DSLR/Mirrorless Cameras: The height of the camera can be adjusted by a total of 2,9" or 74mm
- Tablet/Cell phone: the maximum display the TMP 500 will accommodate without part of the screen being cut off is 9.9"x 5" or 25cm x 12.5cm
- The TMP 500 rails are 14" (35.5cm) long industry standard 15mm rails. Longer lenses might require using 15mm rail extensions to be used with the TMP 500

App Download



Download a free or a paid version of a teleprompter in the app store of your tablet or cellphone. **The app must be able to mirror the script in order to function properly with the TMP 500.**

For more information please visit our website: www.glidegear.net

TMP 500

Assembly

- 1 The TMP500 can be mounted onto a tripod or a shoulder rig.
- 2 **Tripod Mount:** When using a tripod, remove the cheese-plate from the tripod head and screw it onto one of the mounting holes at the bottom of
- 3 **Shoulder-Rig Mount:** The TMP500 can only be used with shoulder rig equipped with 15mm rails. Simply screw the 2 rails into the rail of the shoulder rig to mount the TMP500 (Fig. A).

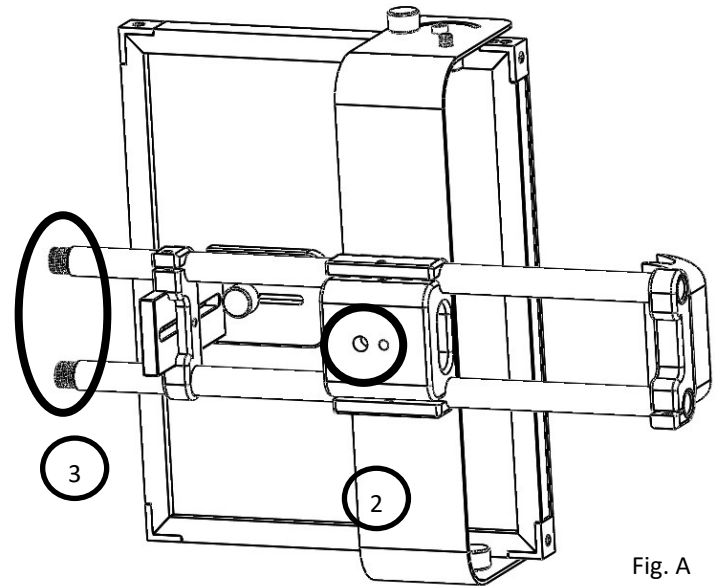


Fig. A

- 4 The mirror's angular position can be adjusted by using the 2 thumbscrews on each side of the mirrors (Fig. B).

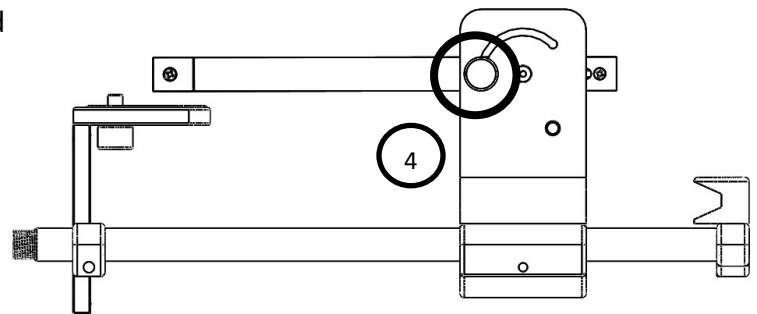


Fig. B

- 5 Rotate the mirror so it makes a 45 degree angle with the rails as pictured in Fig. C)

- 6 Tighten the thumbscrews on each side of the mirror to lock it in place.

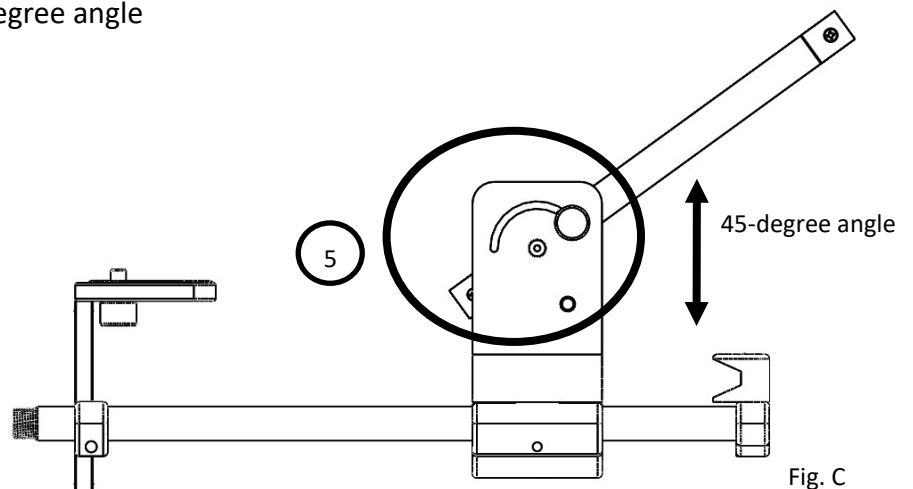
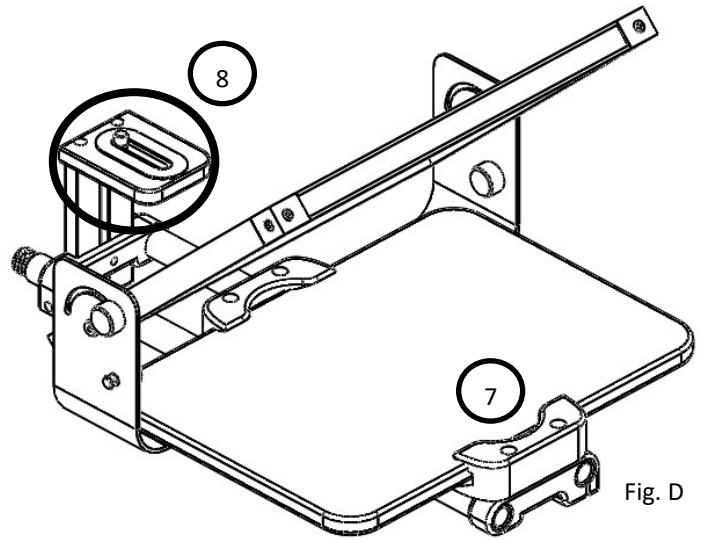


Fig. C

TMP 500

7 Mount your prompting device such a tablet onto the TMP 500 by clamping your tablet as pictured in Fig. D.

8 Mount your camera on the camera platform.

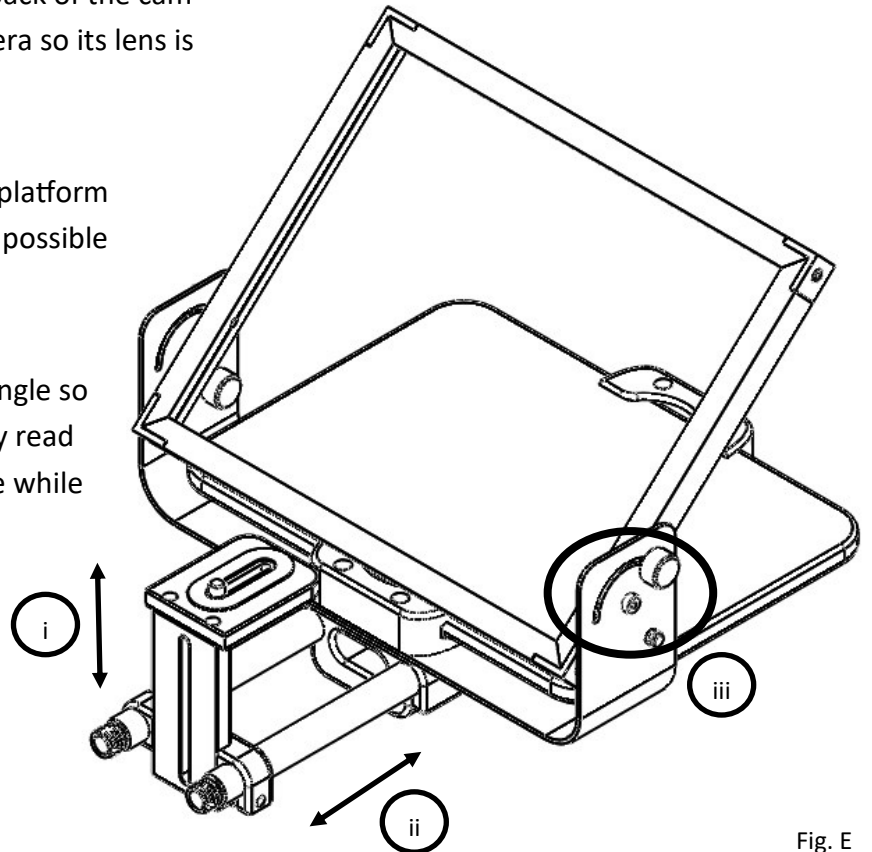


ADJUSTMENTS

(i) **CAMERA HEIGHT:** using the slot in the back of the camera platform, adjust the height of the camera so its lens is at the center of the mirror.

(ii) **CAMERA POSITION:** Move the camera platform along the rails so that its lens is as close as possible to the mirror.

(iii) **MIRROR ANGLE :** Adjust the mirror's angle so that the person reading the text can clearly read the text displayed on the prompting device while looking straight at the camera





TMP 500

Mounting Accessories

The TMP 500 includes 2 extra 1/4-20 mounting screws.

Use the mounting screws to mount the accessories of your choice on each side of the frame holding the mirror as pictured in Fig. F



Fig. F

Shoulder Rig

The TMP 500, thanks to its 15mm rails can be mounted on any standard shoulder rig featuring 15mm rails as pictured on the right.



For more information please visit our website: www.glidegear.net