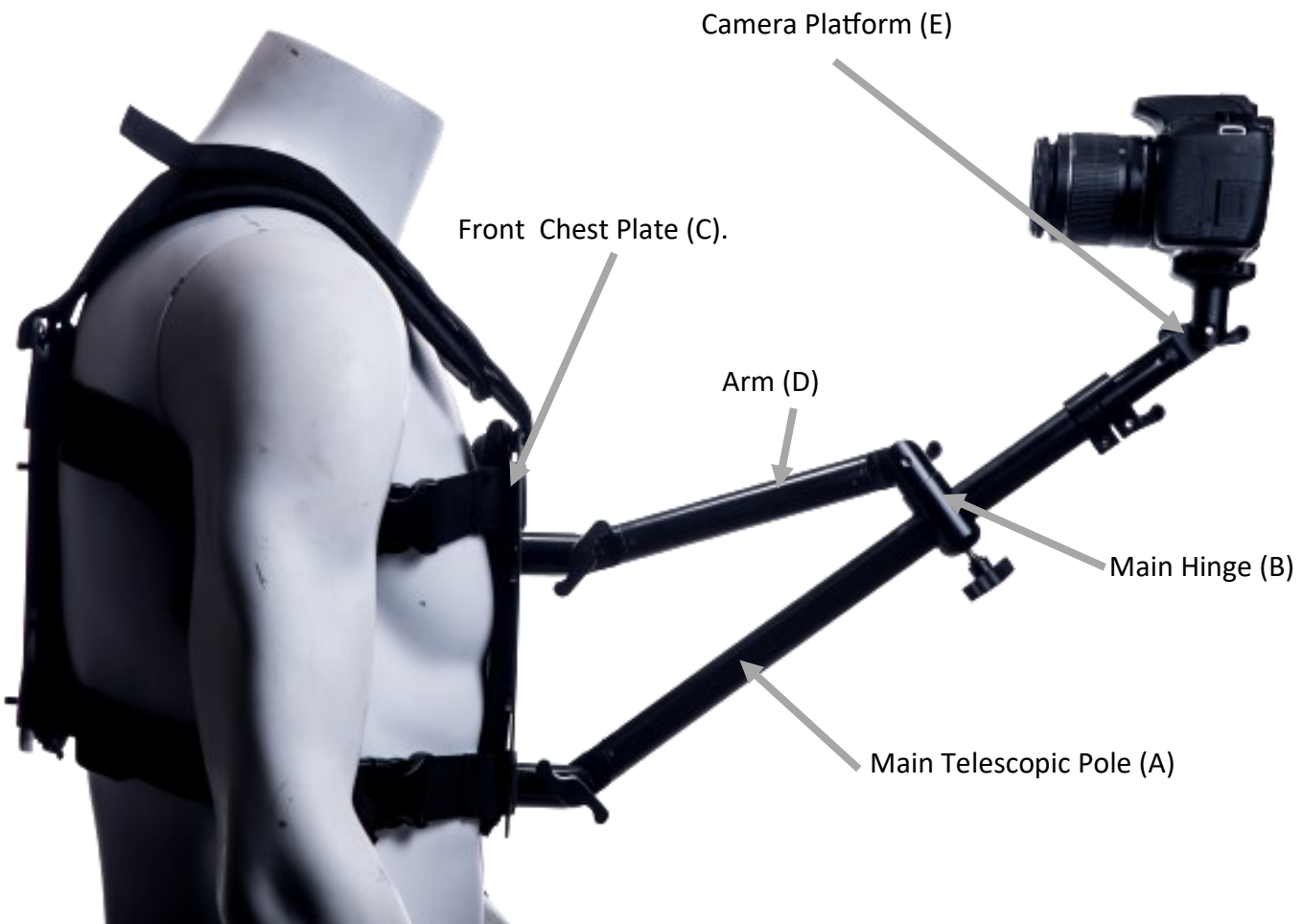




Glide Gear

SNC 100 – USER MANUAL

PART LIST

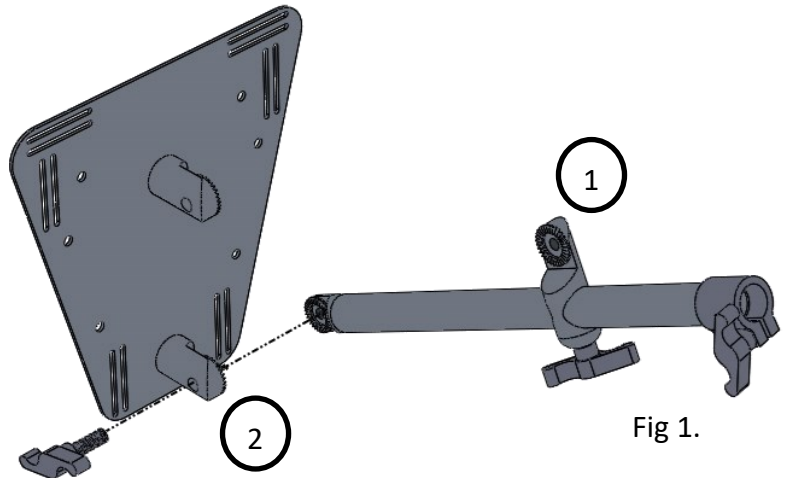


For more information please visit our website: www.glidegear.net

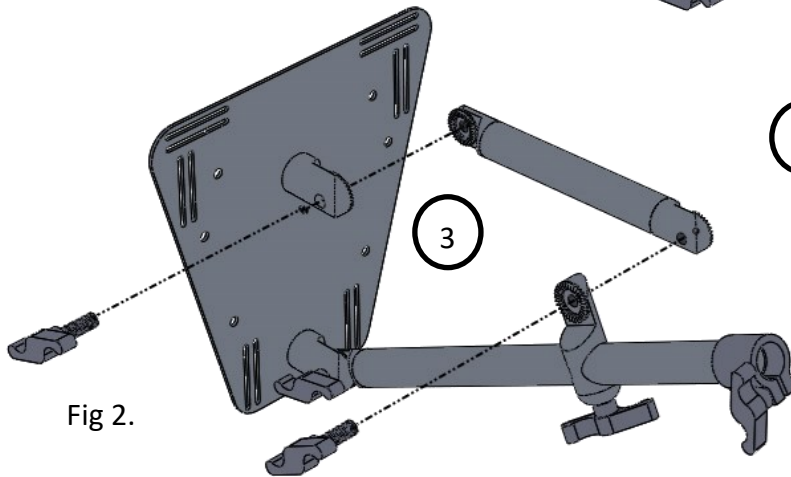
ASSEMBLY

1 Slide the Main Hinge (B) onto the Main Telescopic Pole (A). See Fig 1.

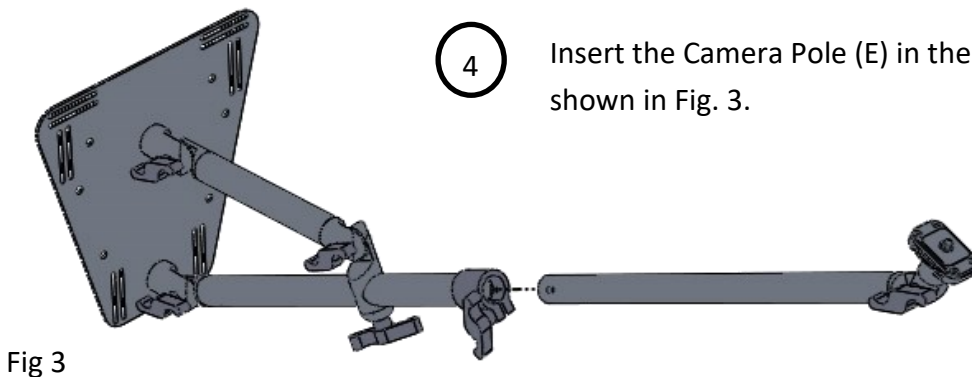
2 Connect the Main Telescopic Pole (A) to the hinge at the bottom of the Front Chest Plate (C). See Fig. 1.



3 Connect the Arm (D) to the Main Hinge (B) and the Chest Plate (C) as shown in Fig. 2.



4 Insert the Camera Pole (E) in the Main Telescopic Pole (A) as shown in Fig. 3.



5 Mount your camera on the Camera Platform €.



PUTTING THE VEST ON

WARNING:

Make sure to tighten and lock all the hinges and thumb screws into position before putting the vest on.

- 1 To put the vest on, simply connect the 2 sets of straps on the side of each plate around your torso.



2

Loosen the straps and move the SNC 100 along your torso to the desired height as seen in Picture A.

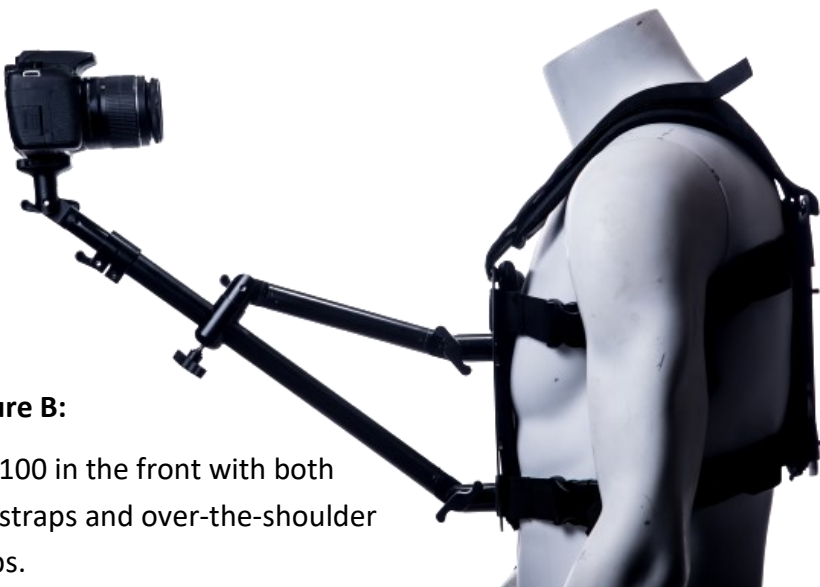
Firmly tighten the straps once the SNC 100 is in position.

NOTE: the Shoulder Straps come assembled on the SNC 100 but can be easily removed.

Picture A:

Snorricam in the back with side straps and over-the-shoulder straps removed.

- 3 For extra support, you also have the option of using the 2 over-the-shoulder straps in which case the SNC 100 will sit a little bit higher on your torso. See picture B.



Picture B:

SNC 100 in the front with both side straps and over-the-shoulder straps.



Picture C:

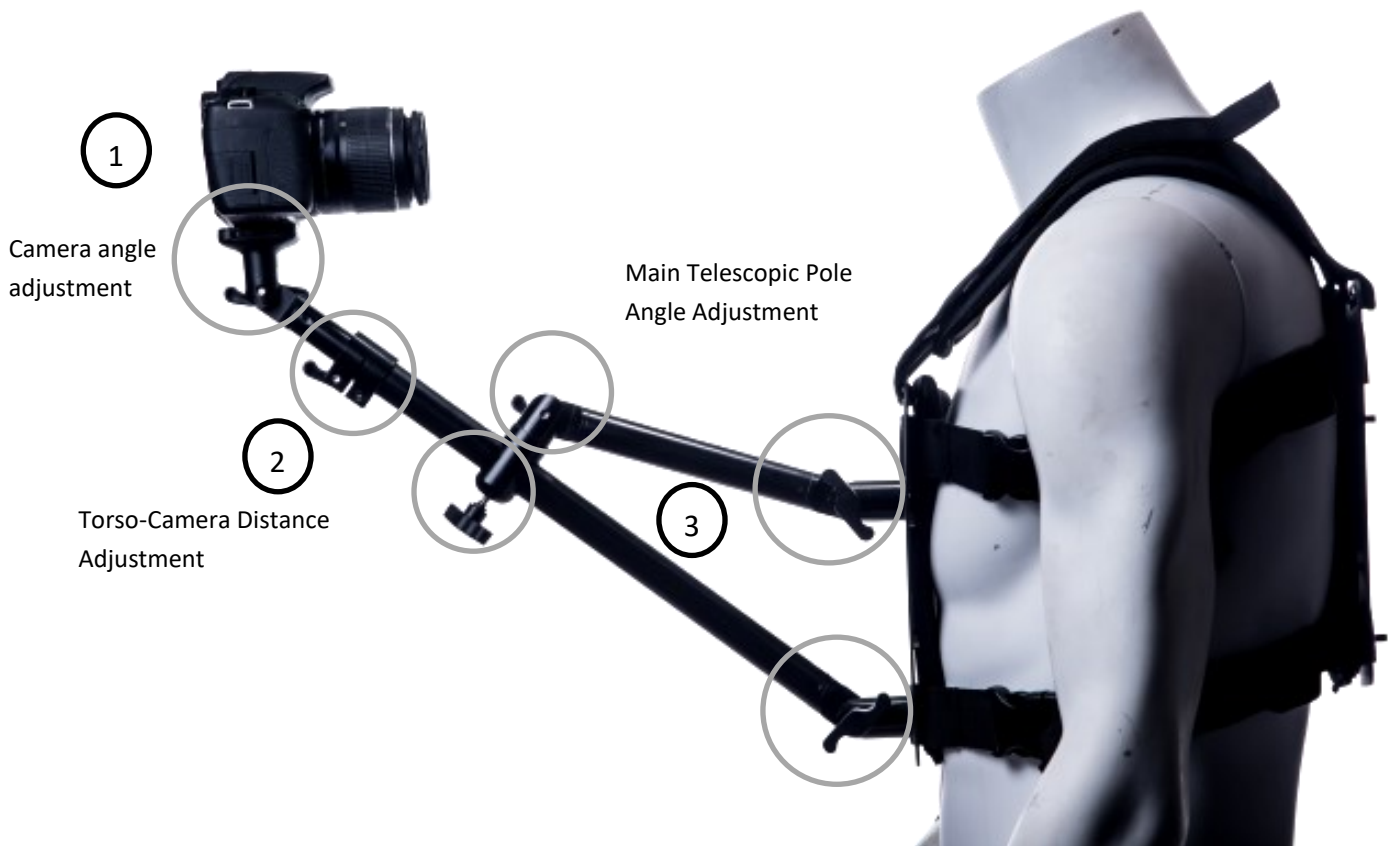
The SNC 100 can also be mounted in the back.

For more information please visit our website: www.glidegear.net



ADJUSTMENTS

- 1 Use the hinge at the base of the Camera Platform (E) to adjust the camera orientation.
WARNING: Make sure to lock the camera's position before any further adjustments..
- 2 Adjust the distance Torso-Camera by loosening up the clamp connecting the Main Telescopic Pole (A) and the Camera Pole (D). Once set, make sure to tighten the clamp to lock the Camera Pole (D) into position.
- 3 To adjust the angle between the Main Telescopic Pole (A) and the Front Chest Plate (C):
 - Make sure that the hinges and clamps from Step 1 and Step 2 are fully tightened before proceeding further.
 - Loosen up the 4 joints circled in the picture below.
 - **While holding the rig together**, slide the Main Hinge (B) along the Main Telescopic Pole (A) to adjust the angle of the Main Telescopic Pole and the position of the Camera.
 - Once the camera is in position, lock the 2 hinges on the Front Chest Plate (C) and the 2 locking screws on the Main Hinge (B).



For more information please visit our website: www.glidegear.net