



OH 200

USER MANUAL



What's included?



(A) Pole Stand x2



(B) Telescopic Pole x2



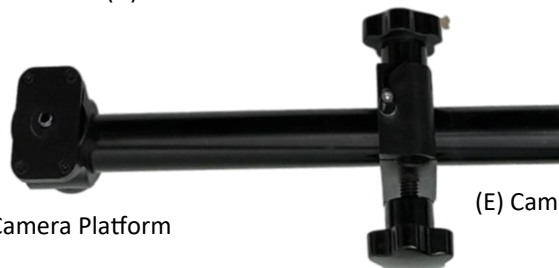
(C) Pole Connector x2



(D) 15mm rail x6



(G) Accessory Clamp x2



(F) Camera Platform

(E) Camera Connector

For more information please visit our website: www.glidegear.net



Assembly

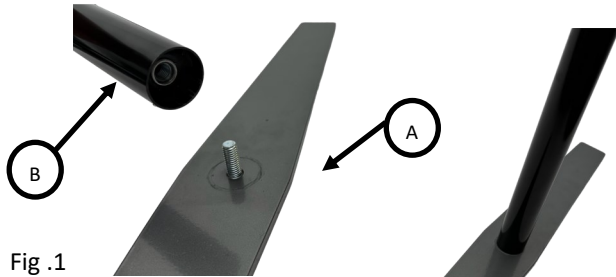


Fig .1

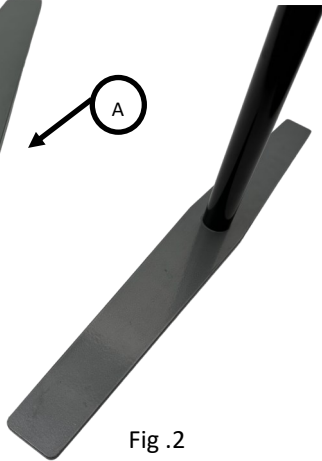


Fig .2

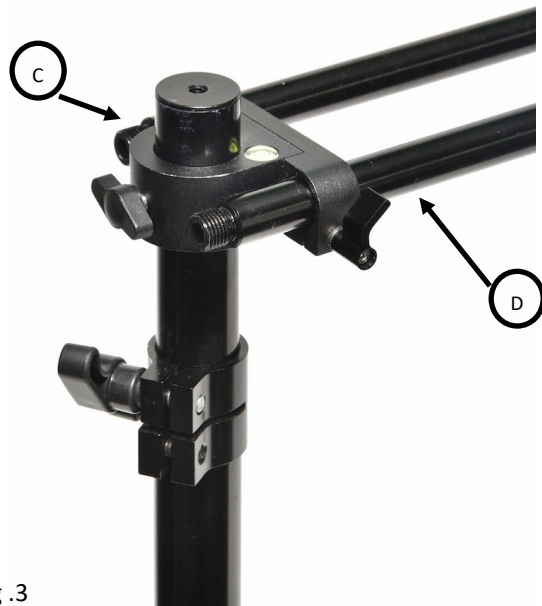


Fig .3



Mount the end of Telescopic Pole (B) with the bigger diameter onto the Pole Stand (A) as shown in Fig. 1.



Repeat the operation to assemble the 2 stands with the poles



Slide the Pole Connector (C) onto the Telescopic pole (B)



Slide two 15mm Rail (D) into the Pole Connector (C)



Tighten all the screws on the Telescopic Pole (B) and the Pole Connector (C)

For more information please visit our website: www.glidegear.net



Assembly, Cont'd

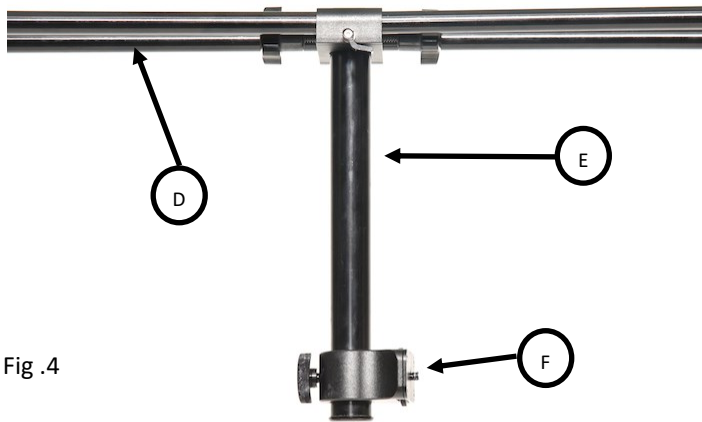


Fig. 4

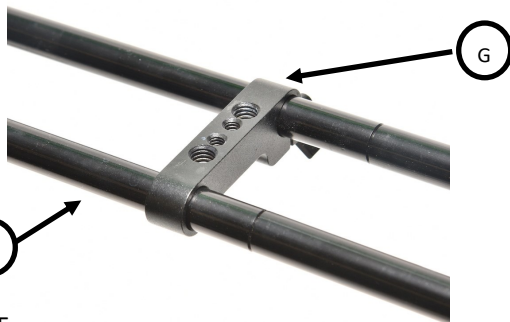


Fig. 5

6 Slide one Accessory Clamp (G) onto the opened end of the 15mm Rails (D)

7 Slide the Camera Connector (E) onto the opened end of the 15mm Rails (D) as shown in Fig. 4.

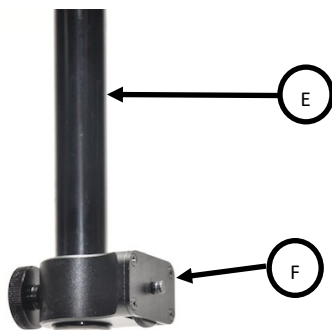
8 Slide the second Accessory Clamp (G) onto the opened end of the 15mm Rails (D) as shown in Fig. 5.

NOTE: Adding the 2 Accessory Clamps (G) also makes the track more rigid

9 Take the two 15mm Rails (D) already connected to the first Pole Connector (C) and slide them into the 2nd Pole Connector (C)

10 Tighten all the screws on the second Telescopic Pole (B) and the second Pole Connector (C)

11 Mount your camera on the mounting screw on the Camera Platform (F)



For more information please visit our website: www.glidegear.net



Adjustments

Once assembled, your setup should look as below:



For more information please visit our website: www.glidegear.net