

Setup

- (1) The OH 150 includes 2 kinds of spacers:
 - 2x Track Holders: the end caps are facing in the opposite direction than the plate with the 1/4-20 and 3/8-16 mounting holes.
 - 3x Accessory Holders: the end caps are facing in the same direction than the plate with the 1/4-20 and 3/8-16 mounting holes.

A Track Holder is pictured in Fig A. An Accessory Holder is pictured in Fig. B.

- (2) Assemble 2 separate track sections of equal length. The OH 150 comes with 6 x 4ft sections so the maximum length for the OH 150 is 12ft (2x 12ft sections). Make sure to secure the connection between each track section using the supplied hardware

- (3) Mount the 2 supplied light stand adapters at the bottom of the Track Holders as seen in Fig. A.

- (4) Place the 2 Track Holders at the ends of the track. Press in the track into the end caps until you hear a snap.

- (5) Mount the supplied camera platform at the bottom of one of the Accessory Holder. See Fig. B.

- (6) Place the Accessory Holder at the desired location on along the track. The holder's end caps must be facing down. Make sure the track snaps on the end caps.

- (7) The OH 150 comes with the GG 33 ball head. Mount the ball head to the camera platform to adjust the camera angle.

- (8) The OH 150 comes with a total of 3 Accessory Holders. Use them to mount multiple cameras, lights, mics, monitors..etc.



Fig. A



Fig. B

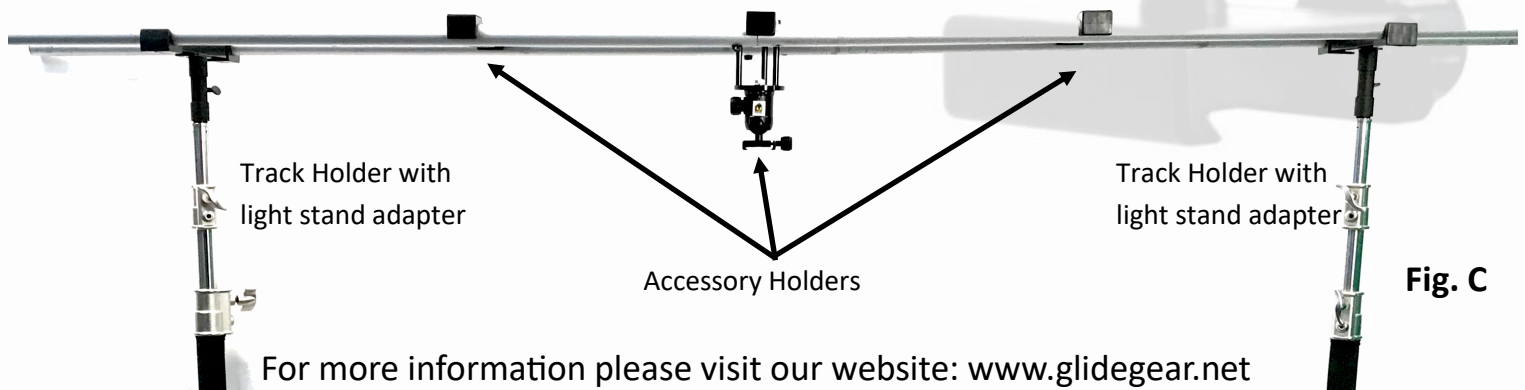


Fig. C