

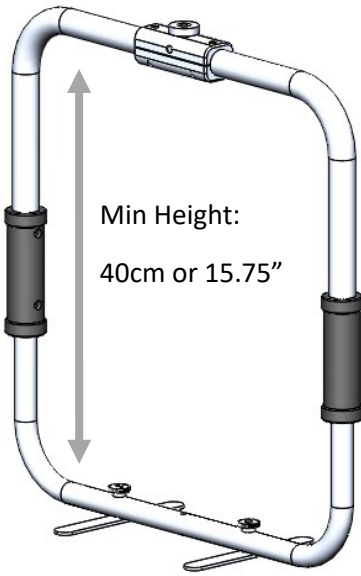
# Halo—USER MANUAL

1

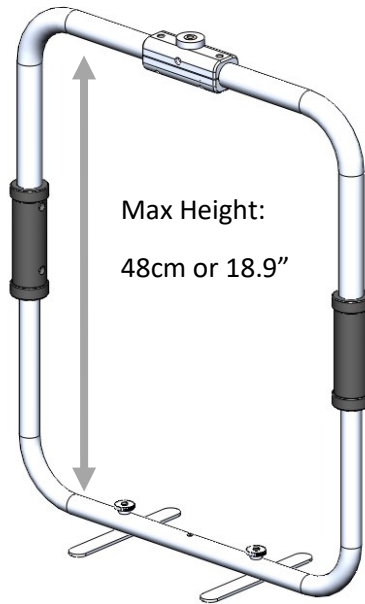
Use the push-pin buttons on both handles to adjust the Halo's height to one of its 2 positions.

Mount your stabilizer such as the Glide Gear Geranos to the 1/4-20 screw at the top of the Halo.

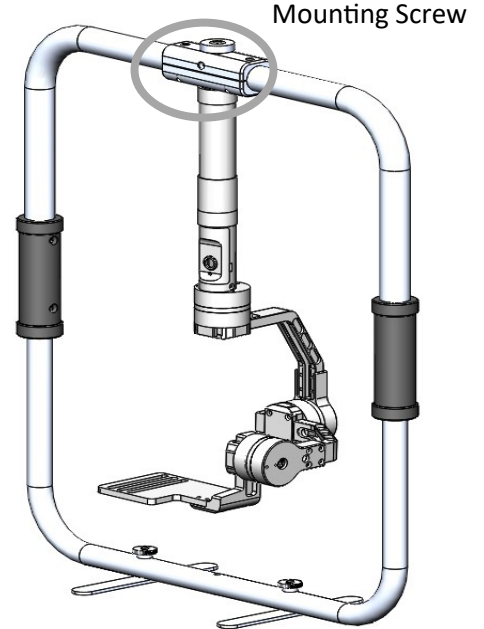
NOTE: The Halo can only be used with stabilizers featuring a 1/4-20 threaded hole at the base of their handles.



**(A)** Low position



**(B)** High Position



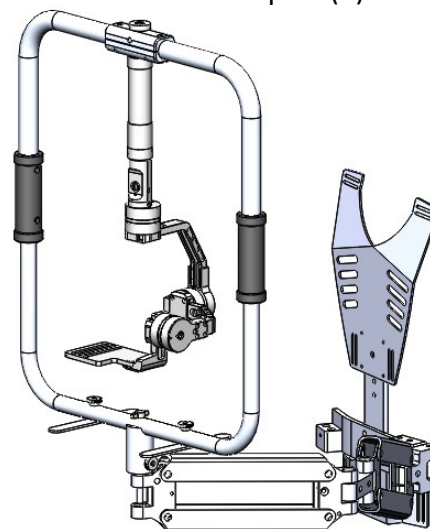
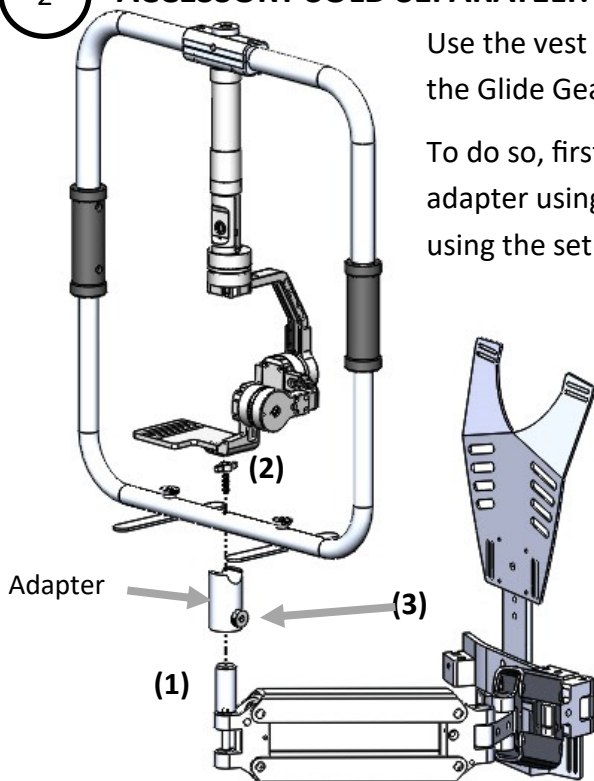
**(C)** Halo in high position with Geranos

2

**ACCESSORY SOLD SEPARATELY: Vest and arm adapter** (Visit [www.glidegear.net](http://www.glidegear.net) to purchase the adapter)

Use the vest and arm adapter to mount the Halo onto a vest and arm system such as the Glide Gear DNA 6000.

To do so, first, slide the adapter onto the arm's end (1). Second, secure the Halo to the adapter using the thumb screw supplied (2). Third, lock the adapter to the arm's end using the set screw on the side of the adapter (3).



NOTE: the Vest and arm adapter can accommodate any arm's end with a diameter smaller than 22.5mm or 0.88"

**(D)** Halo mounted on the DNA 6000