



Dev Dolly Pro



User Manual

For more information please visit our website: www.glidegear.net



What's in the box



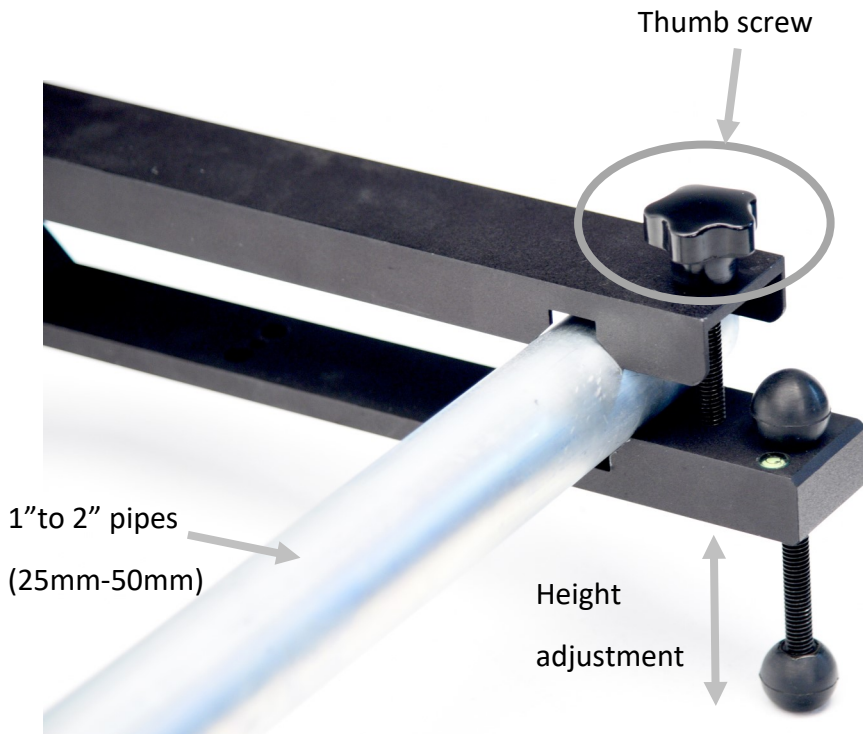
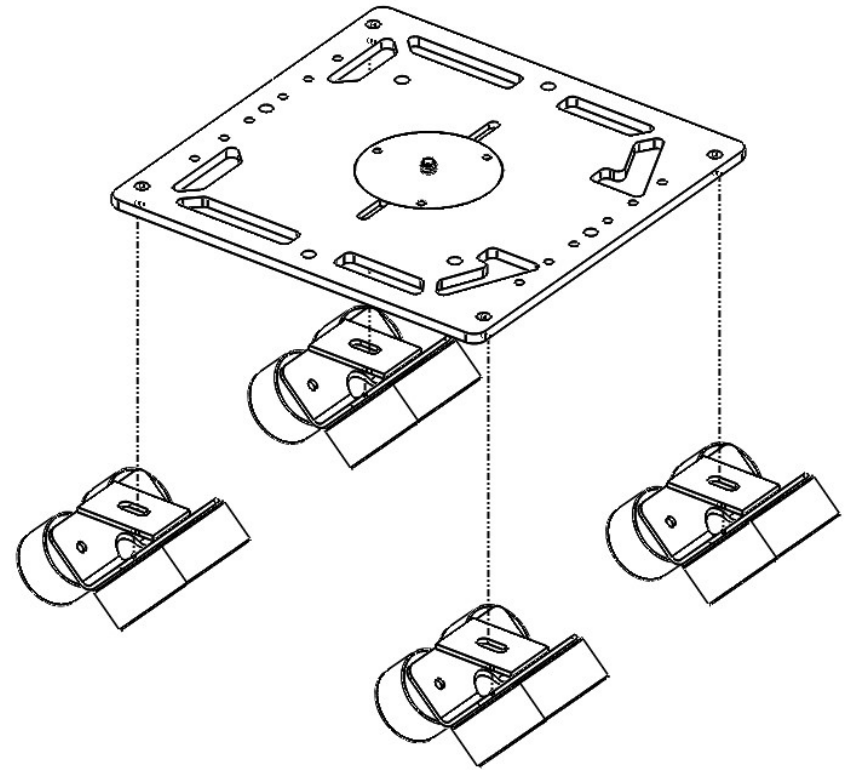
- (1) Sled
- (2) 4x sets of wheels
- (3) 2x end spacers
- (4) 1x low profile spacer
- (5) 7.5" camera riser
- (6) Camera plate, 75mm and 100mm bowl adapters
- (7) 3x Baby pin adapters
- (8) 2x Anti-tilt brackets
- (9) Carry Case

For more information please visit our website: www.glidegear.net



Assembly

- 1 Mount the 4 sets of wheels at each corner of the sled.



- 2 Use the end spacers to clamp each track extremity as in the picture on the left. Use the supplied long thumb screws to lock the track into position. The Dev Dolly Pro can accommodate tracks from 1" to 2" in diameter (25 to 50mm).

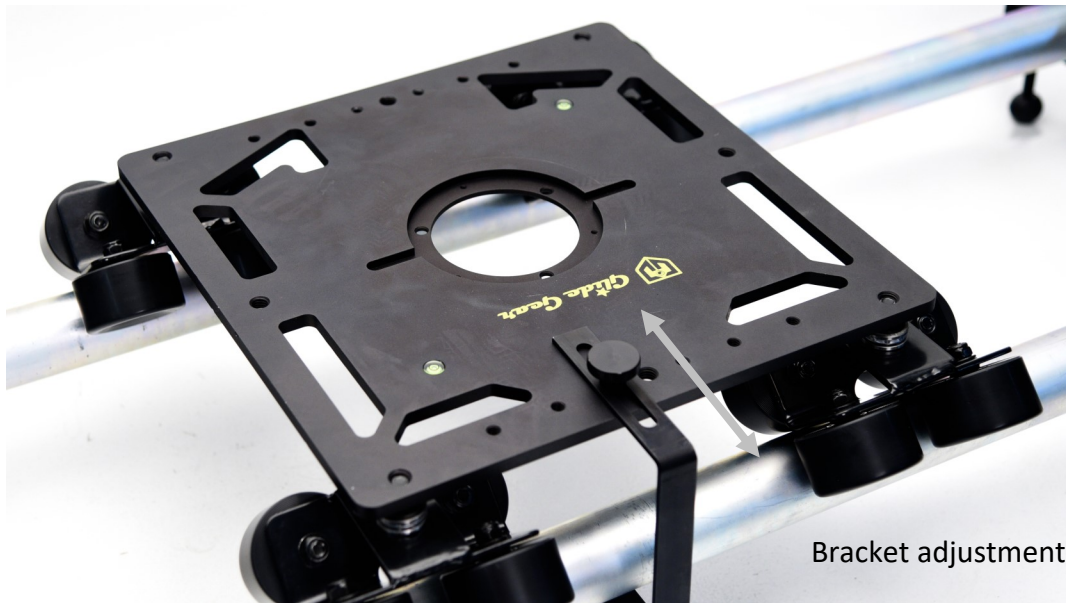


Assembly

- 3 Mount the anti-tilt brackets on each side of the sled.



Anti-tilt bracket

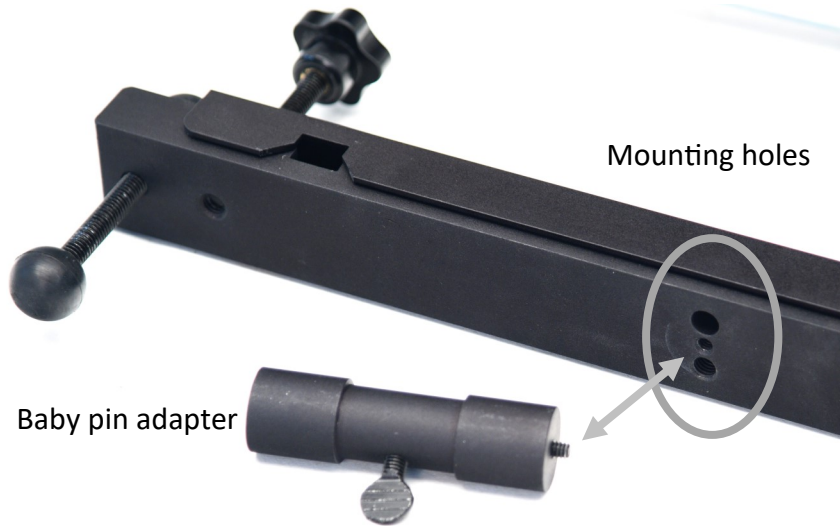


Bracket adjustment

Adjust the position of the bracket so it goes under the track to prevent the sled from tilting out.



Track Mounting Options

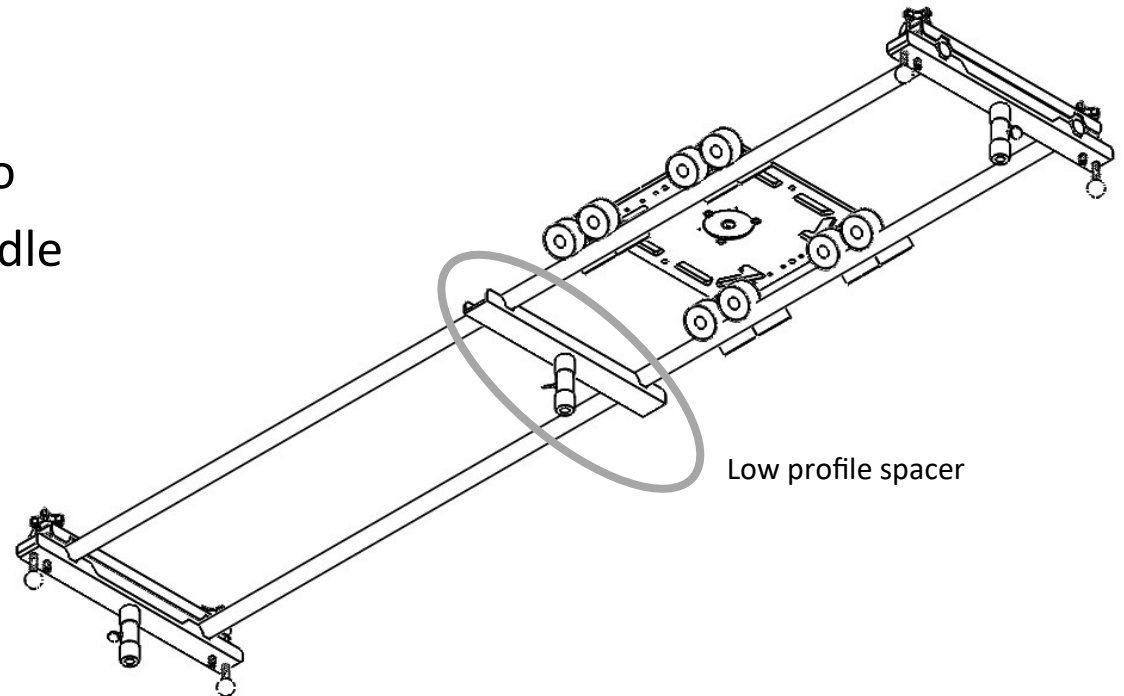


The Dev Dolly Pro features mounting holes at the bottom of each spacer so that it can be mounted on any tripod.

In addition, 3 baby stand adapters are supplied. Simply screw the adapter at the bottom of a spacer to mount the Dev Dolly Pro onto a baby stand.

For longer tracks, it is recommended to place the low profile spacer in the middle for extra support.

The low profile spacer has the same mounting option than the other spacers.



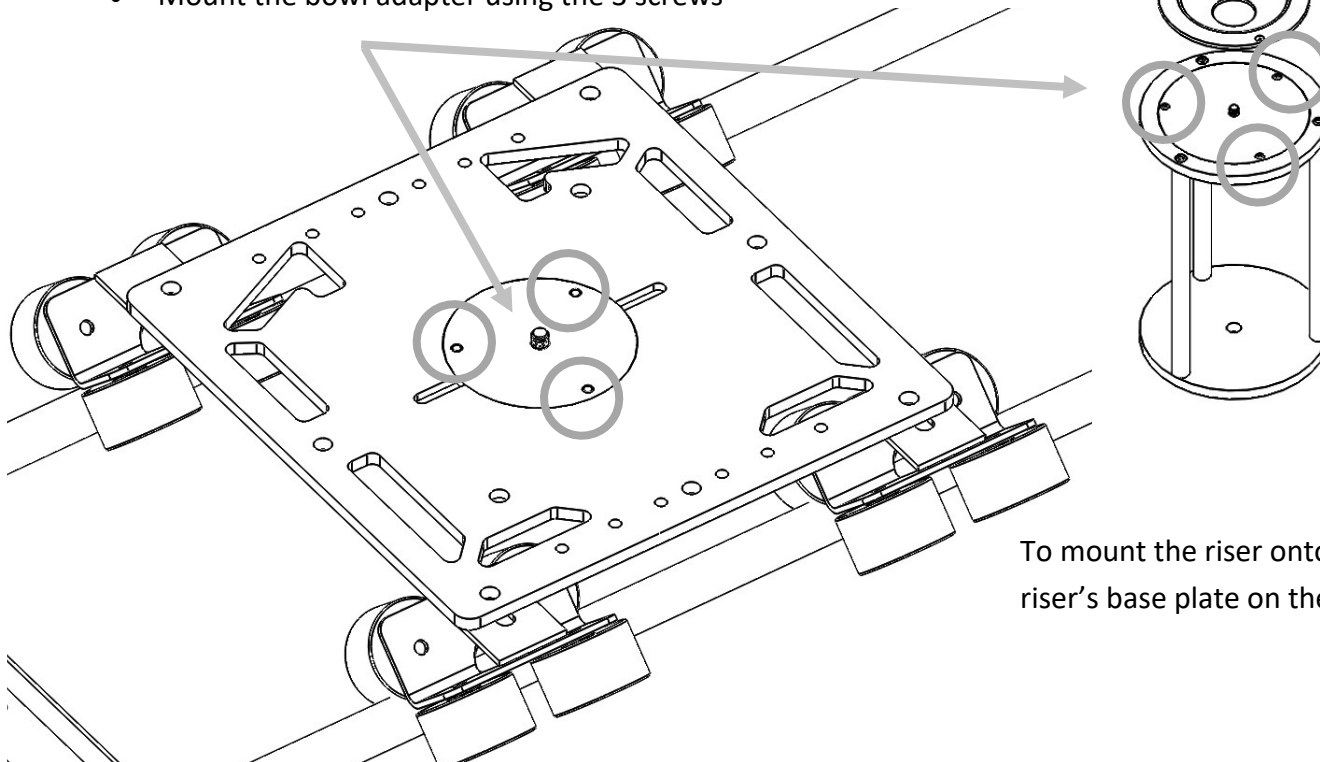


Camera Mounting Options

The Dev Dolly Pro includes: a 7.5" camera riser, a 75mm bowl adapter and a 100mm bowl adapter. The bowl adapters can be used directly on the sled or on the camera riser.

To mount a bowl adapter onto the sled or the riser:

- remove the 3 screws
- Swap the plate with a bowl adapter
- Mount the bowl adapter using the 3 screws



To mount the riser onto the sled, simply screw the riser's base plate on the sled's mounting screw.

For more information please visit our website: www.glidegear.net