



Glide Gear



8 FT Jib

www.glidegear.net



Glide Gear

8Ft Jib - COMPONENTS

Rod and washer



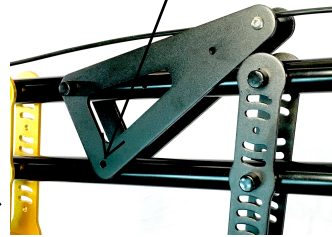
Tightener



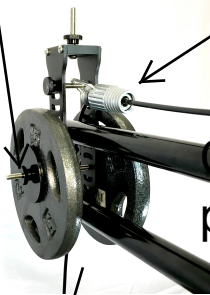
Locking Pin



Triangular
Tensioner



Counterweight
platform



Camera Mounting
Platform





8Ft Jib - Assembly Manual

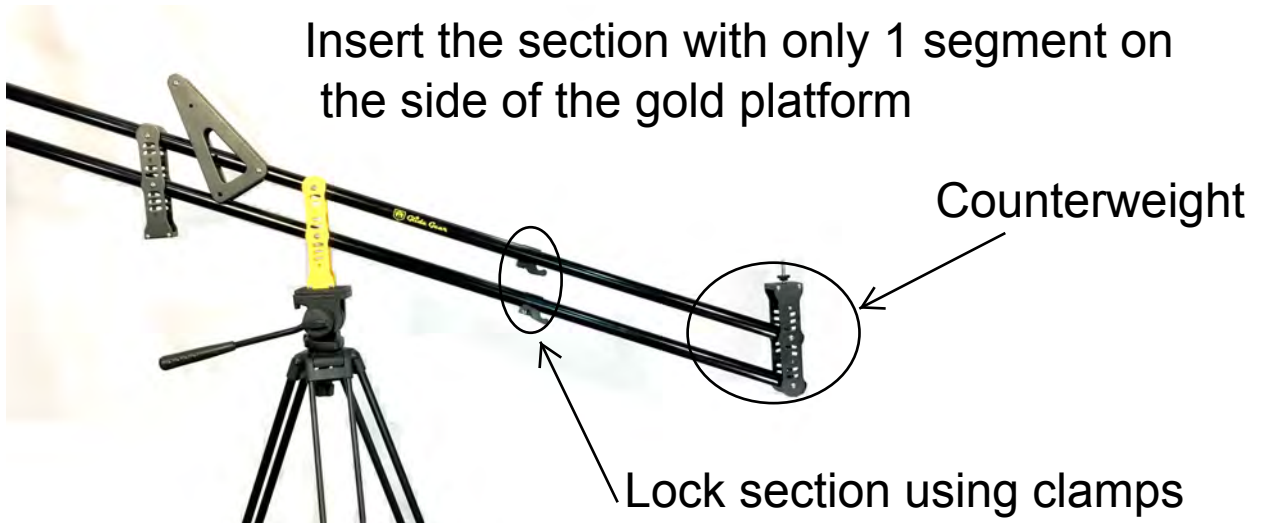
For more information, please visit glidegear.net

1-



Mount gold platform onto your tripod

2-



Insert the section with only 1 segment on the side of the gold platform

Counterweight

Lock section using clamps

3-



Insert the section with 2 segments on the other end. Use clamps to lock the 2 segments into position

4-



The camera mounting platform features a 1/4" screw with a 3/8" adapter.

Unscrew the screw below the platform and insert it inside the small loop at one of the ends of the cable.

5-



The counterweight platform features a long screw on top. Unscrew the screw below the platform and feed the cable through the platform. Make sure the tightener is between the platform and the tripod

Pass the bolt through the tightener's loop and screw it back onto the platform.

6-



To tighten the cable, hold the base of the tightener and pull the handle.

7-



To loosen the cable, pull the small end of the tightener and the cable simultaneously.

8- Mount Camera

9-



To mount your counterweight, insert the supplied threaded rod and secure your weight plates using the supplied nuts and washer.

10-



Adjust the amount of counterweight as well as the length of the counterweight arm to balance the jib. Once balanced, tighten the cable as much as you can.

11-



Lift the triangular tensioner and lock it into position using the supplied pin.

12-



Your final setup should look like in those 2 pictures.



For more information, please visit glidegear.net