

Big Joe™ 24"

 **KAMADOJOE®**
Ceramic Grills



Features & Components



INTERNAL COMPONENTS

Divide & Conquer®
Flexible Cooking System



AMP FireBox



Kontrol Tower Top Vent



Air Lift Hinge



Latch



Shelves



Tools



Wheels



Slide-Out Ash Drawer



Handle



Gasket



Thermometer

Specifications

Dimensions	Cooking Surface	Weight	Heat Range
54 in W x 50 in H x 31 in D	24 in Diameter/452 sq in	395 lbs	225°F – 750°F+
127 cm W x 137 cm H x 79 cm D	61 cm Diameter/2,923 sq cm	179 kg	82°C – 399°C

Materials

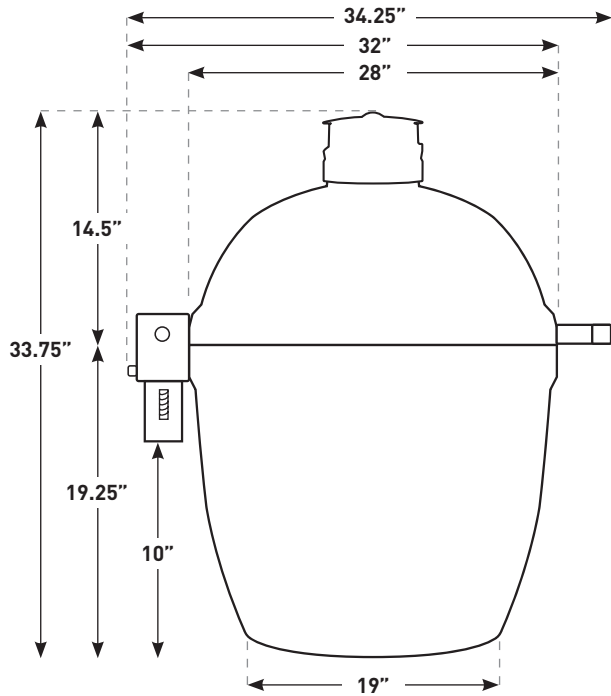
Base/Dome	High Fire Heat-Resistant Ceramics	Latch	Aluminum
Glaze	Heat-Resistant Ceramic Coating	Handles/Shelves	HDPE (High-Density Polyethylene)
Top Vent	Cast Aluminum	Hinge	Full Counter Balanced Steel
Grill Grates	304 Stainless Steel	Bottom Vent	304 Stainless Steel
FireBox	High-Fire Heat-Resistant Ceramics	Cart	Powder-Coated Cast Iron
Gasket	Wire Mesh Fiberglass	FireBox Ring	304 Stainless Steel

Big Joe Dimensions & Installation Guide

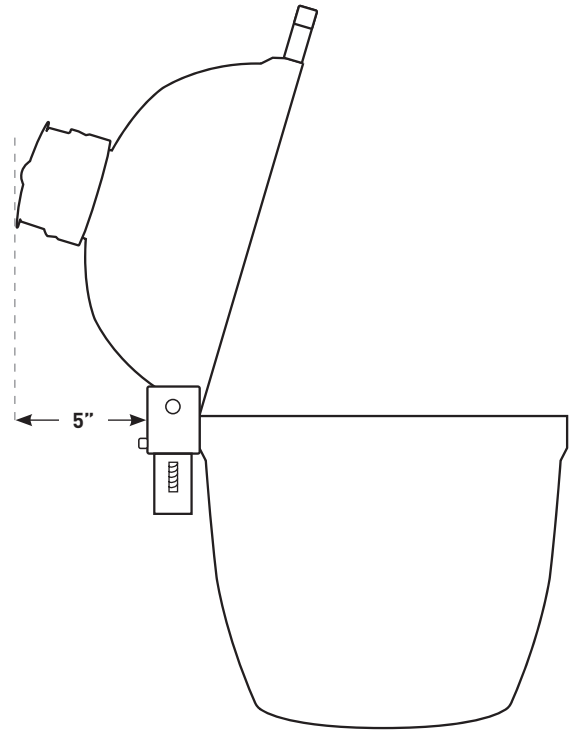
IMPORTANT DIMENSION NOTES

Please use this as a general guide for installing a Big Joe ceramic grill in a built-in outdoor kitchen or grill table. We highly recommend that the actual grill being installed be measured. Drawing is not to scale.

SIDE VIEW



OPEN CLEARANCE



TOP VIEW

