

New  
**Taper-Tech®**  
Design

## BRASS COMPRESSION GLANDS

SANS 1213 Ed.3 / SANS 60529 / SANS 62444



## TUFFLON COMPRESSION GLANDS

SANS 60529



BRASS  
COMPRESSION  
GLANDS

SANS 1213 Ed. 3  
XPL/22530/22.0554  
SANS 60529(IP66/68)  
XPL/18849/17.1182  
XPL/19569/18.0539  
SANS 62444  
XPL/20345/19.0312

ANCHORAGE CATEGORY B  
IMPACT CATEGORY 8 (20J)



SABS 14-071  
TUFFLON  
COMPRESSION  
GLANDS  
IP68  
SANS 60529

## FEATURES & BENEFITS

### “TAPER-TECH®” BRASS COMPRESSION GLANDS

- Heavy duty Brass Compression Cable Glands
- Latest Taper-Tech® technology eliminates the need for cable damaging weak-back bushes!
- Each gland size accommodates an unmatched range of cable sizes
- IP68 (150m of water head) No other gland comes close!
- SABS Approved to SANS 1213 Ed. 3 and tested to SANS 62444
- Impact category 8 (20 Joules) and cable anchorage category B
- Also accommodates Flat Twin & Earth and Aerial Bundled cables (Adaptor bush required, see accessories tab below)
- NPT and PG threads also available

### TUFFLON PLASTIC COMPRESSION GLANDS

- Tufflon glands are tough, chemical resistant & will not jump threads
- Neat and lightweight, will take a lot of punishment
- Can also accommodate Flat Twin & Earth and Aerial Bundled cables (Adaptor Bush required)
- No shrouds necessary

POLICY  
STATEMENT

“The performance of  
our products must  
exceed all others on  
the world market”

K.G.M. Pratley

# PRATLEY TUFFLON COMPRESSION GLANDS

## COMPRESSION BUSH

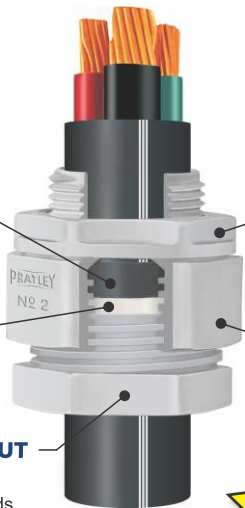
Specially formulated, high performance creep resistant rubber.

## PLASTIC SKID WASHER

Ensures bush compression without excessive torque or damage to the bush.

## COMPRESSION NUT

Made from "Tufflon" and will not jump threads.



## LOCKNUT

Supplied complete with high strength locknuts. Locknuts are made of Tufflon and will not jump threads.

## GLAND BODY

Tough "Tufflon" engineering plastic.



These are real "toughies"! They maintain an IP seal, are chemical resistant and will not jump threads when tightened. Typically used on appliances, in chemical plants, in sewerage plants, in abattoirs and similar. For cables smaller than 4.0 mm a special N° 0sxs (0s Extra small) compression kit can be used. (See accessories Pg. 4)

IP seal means equipment protection when washing down or when condensation is present.

TUFFLON GLAND SELECTION TABLE						
Gland Size	00	0s	0L	1	2	
Nipple Thread (mm)	16.0	20.0	20.0	20.0	25.0	
Cable Dia. Range (mm)	Min.	4.0	4.0*	6.5	8.5	13.0
	Max.	9.0	9.0	11.0	13.0	19.2
Cat. N° WHITE	75101	75107	75102	75103	75108	
Cat. N° GREY	75001	75007	75002	75003	75008	
Cat. N° BLACK	75201	75202	75203	75204	75205	

\* Can be reduced to 3 mm by using a N° 0sxs (N° 0s Extra small) Compression Kit (see accessories Pg. 4).

# PRATLEY "Taper-Tech" BRASS COMPRESSION GLANDS



IP68 TO 150m WATER HEAD!



These Glands are manufactured from nickel plated brass and will accommodate all circular cables with outside diameters from 3.0 mm to 73.8 mm (See Pg. 4 for non-circular cables). They are IP68 rated to a whopping 150m! and are supplied complete with nipple gasket and nickel plated Brass Locknuts.

There are 13 sizes, ranging from No. 00s to No. 8 (See table below).

## WATERPROOFING IP66/68

Rated IP68 to a whopping 150m of water head! Prately "Taper-Tech" Compression Glands automatically seal the bore of the gland against the ingress of pressurised water and ambient moisture.

Waterproofing Shrouds are not necessary. However, should a shroud be required for aesthetic reasons the Prately "Taper-Tech" Compression Gland can accommodate one in the groove.

## NPT, PG, IMPERIAL THREADS & LONG NIPPLES

"Taper-Tech" gland sizes 00, 0, 1 & 2 are also available ex-stock with Pg and Npt threads. (See selection tables below).

Pg and Imperial Threads are also accommodated by using Prately Adjustable Cable Glands (see Pg. 4) fitted with compression conversion kits and thread adaptors. Exceptionally thick gland plates can also be accommodated by fitting Adjustable Glands with "long nipples".

METRIC GLAND SELECTION TABLE • SIZES 00s - 2								
Gland size		00s	00	0xs	0s	0	1	2
Nipple Thread (mm)		16.0	16.0	20.0	20.0	20.0	20.0	25.0
Cable Dia. Range (mm)	Min.	3.0	4.5	3.0	4.5	8.0	10.0	14.0
	Max.	5.0	9.2	5.0	9.2	11.1	14.7	19.9
Catalogue N°		12064	12067	12065	12066	12068	12069	12070
Usual Pack Qty.		50	50	50	50	10	10	10

METRIC GLAND SELECTION TABLE SIZES 3 - 8							
Gland size		3	4	5	6	7	8
Nipple Thread (mm)		32.0	40.0	50.0	63 mm	75 mm	82 mm
Cable Dia. Range (mm)	Min.	19.0	26.0	34.0	43.4	55.8	67.5
	Max.	26.7	35.0	44.0	55.8	67.5	73.8
Catalogue N°		12071	12072	12074	12075	12077	12086
Usual Pack Qty.		5	5	2	1	1	1

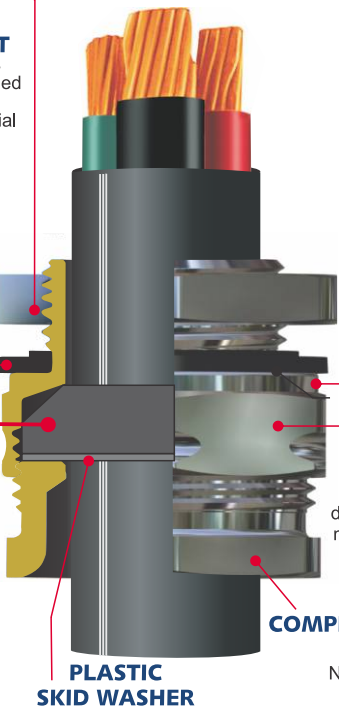
PG GLAND SELECTION TABLE									
Gland size		00s	00	0xs	0s	0	1	2	
Nipple Thread PG		Pg 11	Pg 11	Pg 13.5	Pg 13.5	Pg 13.5	Pg 16	Pg 21	
Cable Dia. Range (mm)	Min.	3.0	4.5	3.0	4.5	8.0	10.0	14.0	
	Max.	5.0	9.2	5.0	9.2	11.1	14.7	19.9	
Catalogue N°		60071	60072	60073	60074	60075	60076	60077	60078
Usual Pack Qty.		10	10	10	10	10	10	10	

NPT GLAND SELECTION TABLE								
Gland size		00s	00	0xs	0s	0	1	2
Nipple Thread NPT		¾"NPT	¾"NPT	½"NPT	½"NPT	½"NPT	½"NPT	¾"NPT
Cable Dia. Range (mm)	Min.	3.0	4.5	3.0	4.5	8.0	10.0	14.0
	Max.	5.0	9.2	5.0	9.2	11.1	14.7	19.9
Catalogue N°		60079	60080	60081	60082	60083	60084	60085
Usual Pack Qty.		10	10	10	10	10	10	10

# "Taper-Tech" BRASS COMPRESSION GLANDS

**LOCKNUT** All glands are supplied complete with nickel-plated brass locknut. Gland sizes 7 & 8 are supplied with castellated locknuts for ease of tightening.

**GASKET** All glands are supplied complete with special feathered gasket. Ensures IP68 seal integrity.



**SPIGOT** For perfect fitting into larger size knockout hole.

**GLAND BODY** Strong, generously dimensioned nickel plated brass.

**COMPRESSION NUT** Nickel plated brass.

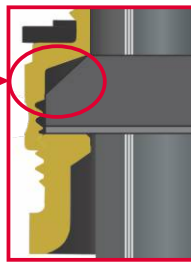
**PLASTIC SKID WASHER**

## UNIQUE "Taper-Tech" CLAMPING SYSTEM

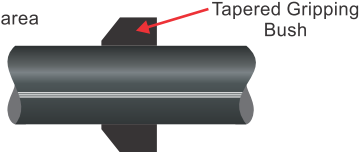
### DIFFERENTIAL TAPER

- Specially formulated, high performance creep resistant rubber (-20°C to 125°C).
- Due to the unique differential Taper Design, the gripping force of the bush increases proportionally with the axial load on the cable. This means that the cable remains safely secured, even at very high pull-out loads, without damaging the cable.

### THE BETTER SOLUTION



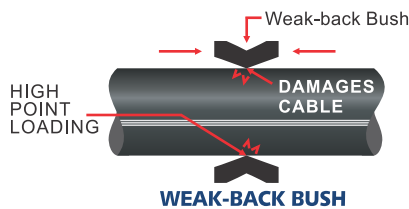
Large surface area spreads the gripping load and prevents cable damage.



### THE PRATLEY "TAPER-TECH" BUSH SOLUTION

## DO AWAY WITH "CABLE DAMAGING WEAK-BACK BUSHES"

Weak-back bushes damage the cable and are typically encountered on old compression gland designs.



**WEAK-BACK BUSH**

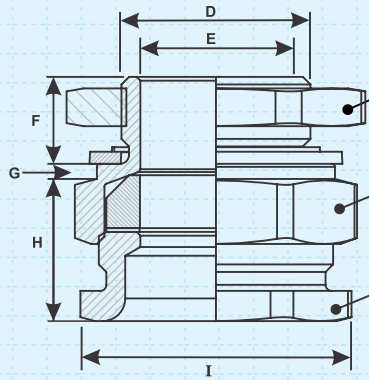
**DISTORTED AND DAMAGED CABLE**



Weak-back Bush

## DIMENSIONS & SPECIFICATIONS

### "Taper-Tech" BRASS COMPRESSION GLANDS



These weights are for metric glands only and should not be used in calculating shipping costs.

PACKAGING DATA				
Gland size	Glands per Pack	Packs per Carton	Carton Dimensions (mm)	Weight (kg) per Pack
00s	20	10	260 x 260 x 170	0.85
00	50	10	260 x 260 x 170	2.1
0xs	50	10	260 x 260 x 170	2.99
0s	50	10	260 x 260 x 170	2.3
0	10	N/A	145 x 160 x 145	0.56
1	10	N/A	170 x 155 x 180	0.64
2	10	N/A	170 x 205 x 190	1.04
3	5	N/A	220 x 50 x 50	0.77
4	5	N/A	270 x 65 x 55	1.56
5	2	N/A	135 x 80 x 65	0.90
6	1	18	260 x 260 x 170	0.78
7	1	6	260 x 260 x 170	1.32
8	1	5	260 x 260 x 170	1.44

### DIMENSIONS (mm)

Gland size	00s	0xs	0	1	2	3	4	5	6	7	8
A - Compression Nut	A/F	20.0	20.0	20.0	25.0	32.0	40.0	50.0	61.2	76.0	95.0
	A/C	22.2	22.2	22.2	27.8	35.9	45.2	56.7	69.6	86.7	108.0
B - Body	A/F	22.0	22.0	22.0	27.0	33.0	40.0	52.0	63.0	80.0	95.0
	A/C	24.6	24.6	24.6	30.4	37.4	45.2	59.3	72.0	91.6	108.0
C - Locknut	A/F	19.0	27.0	27.0	27.0	35.0	41.0	55.0	65.0	80.0	95.2
	A/C	21.9	31.2	31.2	31.2	40.4	47.3	63.5	75.0	92.4	109.7
D - Nipple Thread	M16x1.5	M20x1.5	M20x1.5	M20x1.5	M25x1.5	M32x1.5	M40x1.5	M50x1.5	M63x1.5	M75x1.5	M82x1.5
E - Nipple Bore	9.3	9.3	11.2	14.8	20.0	27.4	35.1	44.1	55.9	67.6	73.9
F - Nipple Length	8.0	11.0	11.0	11.0	11.5	12.5	13.5	14.5	16.5	25.0	25.0
G - Spigot	N/A	N/A	1.5	1.5	2.0	2.0	2.0	2.0	2.0	2.5	2.5
H - Max Protrusion(H+G)	18.0	17.5	17.5	18.7	20.8	26.4	33.2	36.8	40.5	53.0	57.2
F + H - Overall Length	26.1	28.5	28.5	29.7	32.3	38.9	46.7	51.3	57.0	78.0	82.2
I - Overall Diameter - A/C	24.6	24.6	24.6	30.4	37.4	45.2	59.3	72.0	91.6	102.6	108.0

### "Taper-Tech" BRASS COMPRESSION GLAND

#### SPECIFICATION GUIDE

##### The compression gland must:

- Be supplied with a feathered nipple gasket.
- Not employ a weak-back bush design.
- Employ a "Taper-Tech" cable clamping system.
- Comply with SANS 1213 for mechanical cable glands.
- Be manufactured from brass and be nickel plated.
- Be supplied complete with locknut.
- Be supplied with a plastic skid washer.
- Have a male thread Compression Nut.
- Be IP 66/68. Tested to 150m of water head.

## TUFFLON COMPRESSION GLANDS

### DIMENSIONS (mm)

Gland size		00	0s	0L	1	2
A - Compression Nut	A/F	17.0	17.0	19.0	22.0	30.0
	A/C	19.6	19.6	21.9	25.4	34.6
B - Body	A/F	19.0	19.0	22.0	25.6	33.0
	A/C	21.9	21.9	25.4	29.6	38.1
C - Locknut	A/F	22.0	27.0	27.0	27.0	31.0
	A/C	25.4	31.2	31.2	31.2	35.8
D - Nipple Thread		M16	M20	M20	M20	M25
E - Nipple Bore		9.0	9.0	11.0	13.0	19.2
F - Nipple Length		10.0	10.0	10.0	13.0	12.7
G - Spigot		N/A	N/A	N/A	0.8	1.0
H - Max Protrusion		19.5	20.3	21.1	22.0	23.8
I - Overall Diameter - A/C		25.4	31.2	31.2	31.2	38.1

### TUFFLON COMPRESSION GLAND

#### SPECIFICATION GUIDE

##### The Plastic compression gland must:

- Not employ a weak-back bush design.
- Be supplied complete with locknut.
- Be made from tough engineering plastic "Tufflon". Not PVC.
- Not jump threads when tightened.
- Incorporate a skid washer.
- Have a male thread compression nut.

### PACKAGING DATA

Gland size	Glands per Bag	Bags per Carton	Carton Dimensions (mm)	Weight (kg) per Bag
00	50	20	340 x 315 x 235	0.36
0s	50	16	340 x 315 x 235	0.48
0L	50	16	340 x 315 x 235	0.54
1	50	12	340 x 315 x 235	0.62
2	25	16	340 x 315 x 235	0.42

(Glands are packed in plastic bags)

# ACCESSORIES



## “Taper-Tech” BRASS COMPRESSION GLANDS

### “Taper Tech” BRASS COMPRESSION GLAND FOR AERIAL BUNDLED CABLES

A special version of No. 4 brass gland for use with Aerial Bundled cable incorporates a clover shaped bush. These glands are supplied complete with ABC Bush.



ABC COMPRESSION GLAND		
Gland size	4	4
ABC Size	35 mm <sup>2</sup>	70 mm <sup>2</sup>
Catalogue No.	12079	12080
Usual Pack Qty.	1	1

### NICKEL-PLATED BRASS LOCKNUTS

Glands are supplied complete with locknuts. However locknuts are also available separately.



Nickel-plated Brass Locknut 00-8

PRATLEY NICKEL-PLATED BRASS LOCKNUTS										
Size	00	0	1	2	3	4	5	6	7	8
Nipple Thread	16mm	20mm	20mm	25mm	32mm	40mm	50mm	63mm	75mm	82mm
Catalogue No.	02879	02880	02880	02882	02883	02884	02885	02886	02118	02119

### ADAPTOR BUSHES FOR FLAT TWIN AND EARTH CABLES

Pratley “Taper-Tech” Brass Compression glands may be adapted for use with Flat Twin and Earth cables by replacing the standard Compression Bush, supplied with the Gland, with a special Adaptor Bush.



ADAPTOR BUSHES FOR FLAT TWIN AND EARTH CABLES				
Gland size	00	0 & 1	2	3
Catalogue No.	12100	12101	12102	12103
Usual Pack Qty.	10	10	10	10

### EXTRA NIPPLE SEALING GASKETS

Tough plastic gaskets incorporate a special face “feather” for perfect sealing.



TOUGH PLASTIC GASKETS (Black)						
Gasket size	20mm	25mm	32mm	40mm	50mm	63mm
Catalogue No.	39001	39002	39003	39004	39005	39006

Gasket size	75mm	16mm	Pg.13.5	Pg.16	25mm	Pg.21	Pg.29
Catalogue No.	39007	39008	39012	39010	39011	39013	39014
Usual Pack Qty.	100	100	100	100	100	100	100

# ACCESSORIES



## TUFFLON COMPRESSION GLANDS

### COMPRESSION KIT FOR INSTRUMENTATION CABLE

No. 0sxs kit reduces the capacity of No. 0s gland to accommodate small diameter (3-6 mm) instrumentation cable.



No. 0sxs COMPRESSION KIT FOR SIZE 0s TUFFLON GLAND	
Kit Size	0sxs
Cable Diameter	3-6 mm
Catalogue No.	13073
Usual Pack Qty.	10

### ADAPTOR BUSHES FOR FLAT TWIN AND EARTH CABLES

Pratley Tufflon Compression Glands may be adapted for use with Flat Twin and Earth cables by replacing the standard Compression Bush, supplied with the Gland, with a special Adaptor Bush.



ADAPTOR BUSHES FOR FLAT TWIN AND EARTH CABLES				
Gland size	00 & 0s	0L & 1	2	N/A
Catalogue No.	12100	12101	12102	12103
Usual Pack Qty.	10	10	10	10

Pratley (Pty) Limited (Reg. No. 1996/003890/07)  
 Jackson Street • Fatoria • Krugersdorp • Gauteng  
 PO Box 3055, Kenmare 1745 • Gauteng • South Africa  
 Telephone +27 11 955 2190/8 • Fax +27 11 955 3918  
 e-mail: sales@pratley.co.za



/PratleySA



@PratleySA



/PratleySA



/company/pratleyusa



www.pratleyelectrical.com