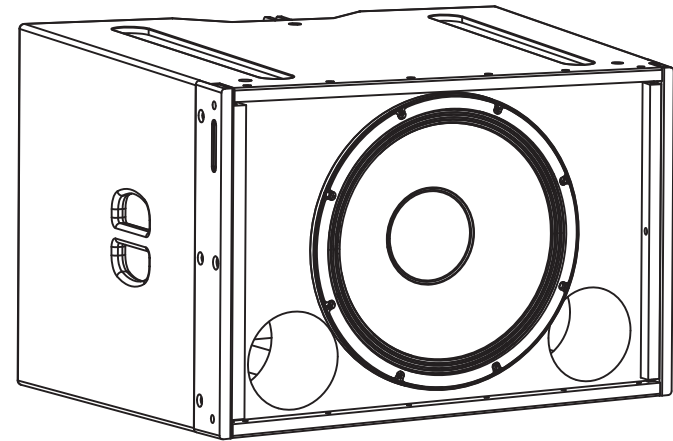


**15" Powered Line Array Subwoofer
(Built in Class D amplifier with DSP)**



ZETHUS-115SPW/115SWPW
PRODUCT MANUAL

IMPORTANT SAFETY INSTRUCTIONS

1. Read all safety and operating instructions before using this product.
2. All safety and operating instructions should be kept for future reference.
3. Read and understand all warnings listed on the operating instructions.
4. Follow all operating instructions to operate this product.
5. This product should not be used near water, i.e. Bathtub, sink, swimming pool, web basement etc.
6. Only use dry cloth to clean this product.
7. Do not block any ventilation openings, it should not be placed flat against a wall or placed in a built-in enclosure that will impede the flow of cooling air.
8. Do not install this product near any heat sources, such as, radiators, heat registers, stove or other apparatus (including heat producing amplifiers) that produce heat.
9. Do not defeat the safety purpose of the polarized or grounding-type plug. A polarized plug has two blades with one wider than the other. A grounding-type plug has two blades and a third grounding prong. The side blade or the third prong are provided for your safety if the provided plug does not fit into your outlet, consult an electrician for replacement of the obsolete outlet.
10. Protect the power cord being walked on or pinched particularly at Plugs, convenience receptacles and the point where they exit from the apparatus. Do not break the ground pin of the power supply cord.
11. Only use attachments specified by the manufacturer.
12. Use only the cart, stand, tripod, bracket, or table specified by the manufacturer or sold with the apparatus. When a cart is used use caution when moving cart/apparatus combination to avoid injury from tip-over.
13. Unplug this apparatus during lightning storms or when unused for long periods of time.
14. Care should be taken so that objects do not fall and liquids are not spilled into the unit through the ventilation ports or any other openings.
15. Refer all servicing to qualified service personnel. Servicing is required when the apparatus has been damaged in any way; such as, power-supply cord or plug is damaged, liquid has been spilled or objects have fallen into the apparatus, the apparatus has been exposed to rain or moisture, does not operate normally or has been dropped.
16. WARNING: To reduce the risk of fire or electric shock, do not expose this apparatus to rain or moisture.
17. When the MAINS plug, or an appliance coupler is used as the disconnect device, the disconnect device should remain readily operable.
18. Protective Ground Terminal: The apparatus shall be connected to an AC main socket with a protective earth ground connection.



FEATURES

- The SOUND TOWN ZETHUS series powered subwoofer has a built-in high power Class-D amplifier with digital signal processor (DSP).
- The DSP features dynamic bass enhancement, RMS dynamic processor and 2nd order IIR filter. Digital EQ presets available.
- Full range or high pass signal outputs switchable, ideal for use together with other speakers either subwoofer or full range tops.
- Customized 4" voice coil high power low frequency driver provide powerful and strong bass sound.

In the package

- 1 ZETHUS subwoofer
- 1 User Manual
- 1 Power cable
- 1 Warranty Card

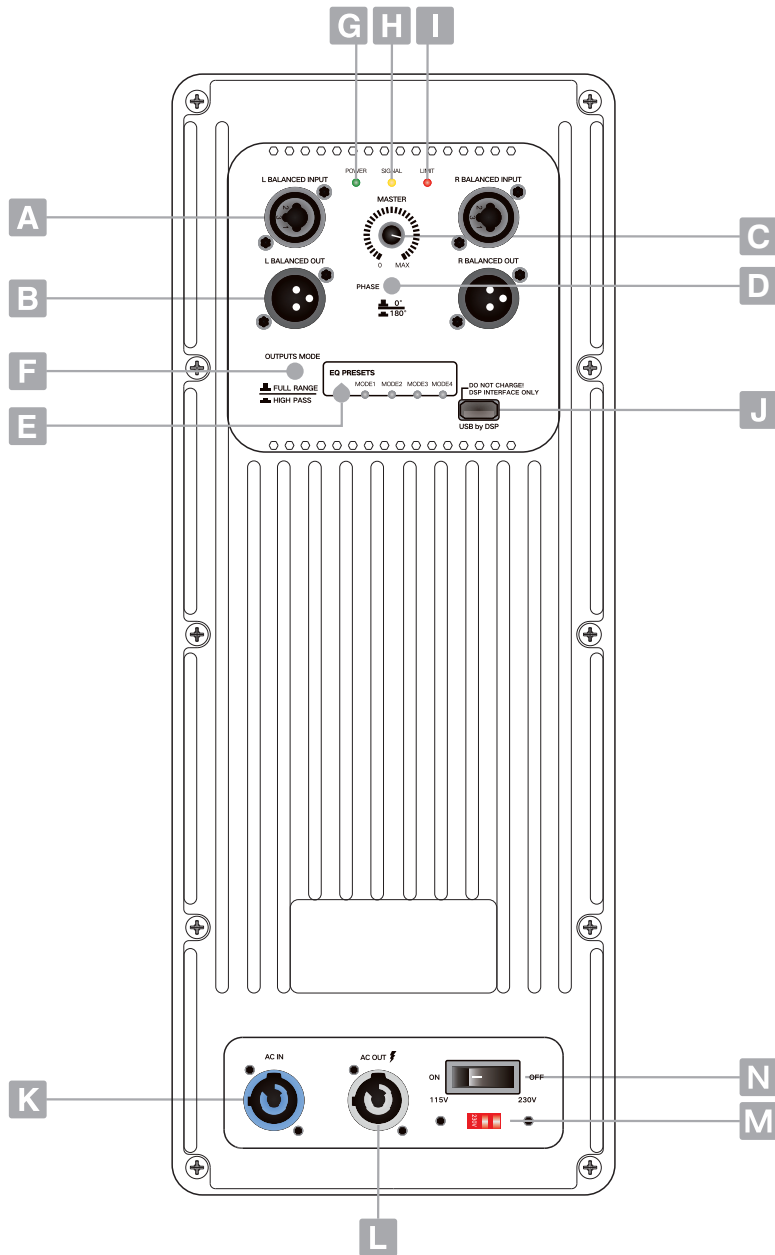
How can we help you?

CONTACT OUR US-BASED SUPPORT TEAM

Simple or complex, your questions are important to us. For service, support or more information, please contact the Sound Town support team:

Email: support@soundtown.com

Rear Panel Instruction



A. Combo Inputs: Two balanced 1/4"/XLR combo jack (L/R) are provided. This allows for stereo input from two separate feeds. The subwoofer will work with only one input connected.

B. XLR Outputs: Two balanced XLR (L/R) are provided for signal output.

C. Master Volume Control: This controls the gain of the input signal. It will raise and lower the volume of the subwoofer. Standard usage is setting this control at 50%.

D. Polarity Switch: Press this switch to reverse the polarity (phase) of subwoofer. It depends on the position of other speakers (or subwoofers) relative to it.

E. EQ Presets: Press to select the 4 presetting modes. The default setting are:

MODE 1: 120Hz low pass;

MODE 2: 180Hz low pass;

MODE 3: 300Hz low pass;

MODE 4: 500Hz low pass;

This does not add bass to the signal, it determines how much high frequency is cut out of the signal.

F. OUTPUT MODE: This controls the 2 XLR ('B') outputs frequency range: switch to 'FULL RANGE' to control the XLR to output passthrough full range signal, switch to 'HIGH PASS' to control the XLR to output 80Hz high pass signal.

G. Power LED: This indicator will light when the subwoofer is turned on.

H. Signal LED: Flashing when there is signal input.

I. Limit LED: This indicator lights up when the amplifier is near clipping. An occasional flickering is acceptable. If LED is lit continuously, adjust the level control and reduce the output level of connected sources. Failure to do so may lead to premature failure of your speaker.

J. USB Interface: The USB socket is an interface for manufacturer to adjust the EQ presets, please DO NOT charge.

K. AC Input: Neutrik powerCON (A) receptacle for power input. It is important to supply the proper AC line voltage to the unit. Do not connect to intermittent or faulty power.

L. AC Output: Neutrik powerCON (B) connector for power output. It is important to supply the proper AC line voltage to the other unit.

M. Voltage selection: This switch is supplied for moving the unit from 115 voltage (US Standard) to 230 voltage (European Standard). The switch needs to be set on the proper voltage for your area.

N. Power Switch: To turn/off the speaker.