

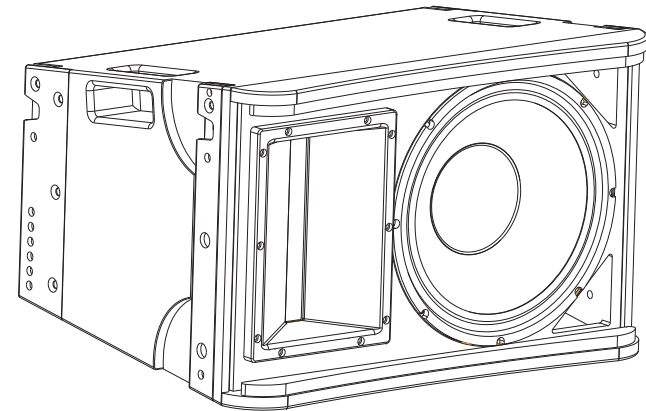
IMPORTANT SAFETY INSTRUCTIONS

1. Read all safety and operating instructions before using this product.
2. All safety and operating instructions should be kept for future reference.
3. Read and understand all warnings listed on the operating instructions.
4. Follow all operating instructions to operate this product.
5. Do not block any ventilation openings, it should not be placed flat against a wall or placed in a built-in enclosure that will impede the flow of cooling air.
6. Do not install this product near any heat sources, such as, radiators, heat registers, stove or other apparatus (including heat producing amplifiers) that produce heat.
7. Do not defeat the safety purpose of the polarized or grounding-type plug. A polarized plug has two blades with one wider than the other. A grounding-type plug has two blades and a third grounding prong. The side blade or the third prong are provided for your safety if the provided plug does not fit into your outlet, consult an electrician for replacement of the obsolete outlet.
8. Protect the power cord being walked on or pinched particularly at Plugs, convenience receptacles and the point where they exit from the apparatus. Do not break the ground pin of the power supply cord.
9. Only use attachments specified by the manufacturer.
10. Use only the cart, stand, tripod, bracket, or table specified by the manufacturer or sold with the apparatus.
When a cart is used use caution when moving cart/apparatus combination to avoid injury from tip-over.
11. Unplug this apparatus during lightning storms or when unused for long periods of time.
12. Refer all servicing to qualified service personnel. Servicing is required when the apparatus has been damaged in any way; such as, power-supply cord or plug is damaged, liquid has been spilled or objects have fallen into the apparatus, the apparatus has been exposed to rain or moisture, does not operate normally or has been dropped.
13. WARNING: To reduce the risk of fire or electric shock, do not expose this apparatus to rain or moisture.
14. When the MAINS plug, or an appliance coupler is used as the disconnect device, the disconnect device should remain readily operable.
15. Protective Ground Terminal: The apparatus shall be connected to an AC main socket with a protective earth ground connection.



 **SOUND TOWN**

ZETHUS-112BPW PROFESSIONAL FULL RANGE LINE ARRAY (Built in Class D amplifier with DSP)



 **SOUND TOWN**

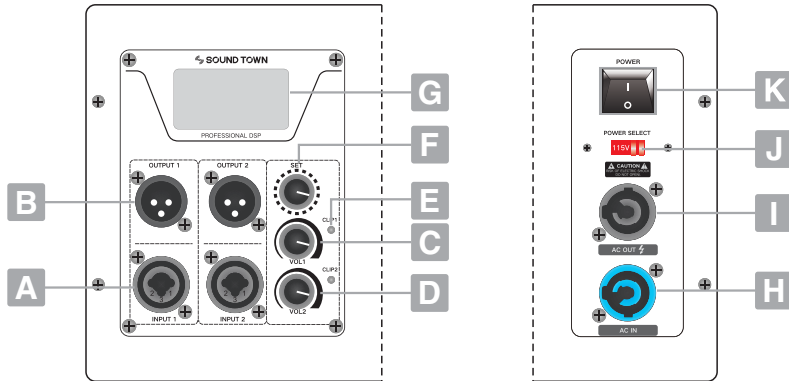
Sound Town Inc. Accepts no liability for any loss which may be suffered by any person who relies either wholly or in part upon any description, photograph, or statement contained herein. Technical specifications, appearances and other information are subject to change without notice.

For the applicable warranty terms and conditions, including additional information regarding Sound Town's limited warranty, please find details online at:

<https://www.soundtown.com/pages/return-warranty>

PRODUCT MANUAL **EN**

Rear Panel Instruction



A. Combo Input: Two balanced 1/4\"/XLR combo jack (CH1/2) are provided. This allows for stereo input from two separate feeds. The speaker will work with only one input connected.

B. Line Output: Two XLR (CH1/2) provides full-range passthrough signal output.

C/D. Volume Control: These controls the gain of the input signal. It will raise and lower the volume of the speaker.

E. Clip LED: These indicators light up when the amplifier is near clipping. An occasional flickering is acceptable. If LED lit continuously, adjust the level control and reduce the output level of connected sources. Failure to do so may lead to premature failure of your speaker.

F. SET:

1. DSP setting knob, by pressing or rotating this knob to adjust the DSP setting. * Referring the 'DSP Setting Guide' for detail operation.

2. In the initial LCD interface, the 'SET' knob can also be used as the main volume adjustment. Rotating to adjust from -50dB~10dB. But it's only recommended to use when you have a very high or low signal output device. For normal level signal devices, it's recommended to stay at 0dB default setting and only adjust the volume by the 'C&D' channel volume control knob.

G. LCD: The DSP interface display.

H. AC Input: Neutrik powerCON (A) receptacle for power input. It is important to supply the proper AC line voltage to the unit. Do not connect to intermittent or faulty power.

I. AC Output: Neutrik powerCON (B) connector for power output. It is important to supply the proper AC line voltage to the other unit.

J. Voltage selection: This switch is supplied for moving the unit from 115 voltage (US Standard) to 230 voltage (European Standard). The switch needs to be set on the proper voltage for your area.

K. Power Switch: To turn/off the speaker.

DSP Setting Guide

* The SOUND TOWN ZETHUS-112BPW active full range line array has a Class D amplifier built inside. The professional DSP built in the amplifier module allows user to design the sound curve according to different venue.

* Operating the 'SET' knob (**by rotating to select and by pressing to confirm setting**) to set the DSP and the LCD display provide the interface for the DSP setting.

* When the LCD display at the initial interface indicating the volume, press the SET knob once to enter the main interface of the DSP setting. You will see 6 icons at the main DSP interface. Rotate the SET knob to select from any of the 'MODE', 'EQ', 'CROSS', 'LIMIT', 'SAVE' icons then press SET again to enter the corresponding sub-interface, or select 'EXIT' to go back to initial interface indicating the volume.

1. MODE: In this sub-interface, there are 5 pre-setting mode (curve) for you to choose: 'MUSIC', 'LIVE', 'SPEECH', 'CLUB' and 'BY PASS'. (Default setting is BY PASS).

2. EQ: In this sub-interface, you can adjust the Bass or Treble from -15dB~+15dB. (Default setting is 0dB).

3. COSS: Crossover setting, the speaker is Bi-amped design and in this sub-interface, you can adjust the crossover point for the LF (low frequency driver) and HF (high frequency driver) separately. The 'LF-HPF' is the high pass filter for the LF, adjustable from 20Hz~200Hz, default setting 40Hz (means to cut the frequency under 40Hz for the LF); The 'LF-LPF' is the low pass filter for the LF, adjustable from 1500Hz~3000Hz, default setting 1800Hz (means to cut the frequency above 1800Hz for the LF); The 'HF-HPF' is the high pass filter for the HF, adjustable from 1500Hz~3000Hz, default setting 1800Hz (means to cut the frequency under 1800Hz for the HF).

4. LIMIT: In this sub-interface, you can adjust the GAIN or LIMIT setting for the HF and LF. 'LF-Gain' adjustable from -10dB~+10dB, (default setting +10dB); 'LF-Lmt' adjustable from -10~+5dB, (default setting +5dB); 'HF-Gain' adjustable from -10dB~+10dB, (default setting +8dB); 'HF-Lmt' adjustable from -10~+5dB, (default setting +5dB).

5. SAVE: In this sub-interface, there are following saving choice:

a. Select 'SAVE' to save current setting, when the speaker powered off and then powered on again, system will load the current setting.

b. Select 'Reset to Dft' to load the default setting.

c. Select 'Save as Dft' is to save current setting as default. This operation will request to enter a password '2105'. ***Caution!**: This operation will remove all the original default setting, do not give the password to any person who lacks sound knowledge. Improper setting will lead to faulty sound.

How can we help you?

CONTACT OUR US-BASED SUPPORT TEAM

Simple or complex, your questions are important to us. For service, support

or more information, please contact the Sound Town support team:

Email: support@soundtown.com

ZETHUS SERIES