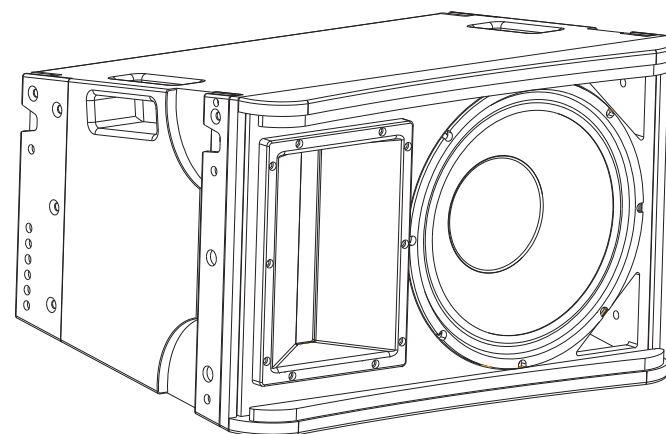


ZETHUS-112BPW

Professional Powered Line Array Speaker
(Built in Class D amplifier with DSP)



IMPORTANT SAFETY INSTRUCTIONS

1. Read all safety and operating instructions before using this product.
2. All safety and operating instructions should be kept for future reference.
3. Read and understand all warnings listed on the operating instructions.
4. Follow all operating instructions to operate this product.
5. This product should not be used near water, i.e. Bathtub, sink, swimming pool, web basement etc.
6. Only use dry cloth to clean this product.
7. Do not block any ventilation openings, it should not be placed flat against a wall or placed in a built-in enclosure that will impede the flow of cooling air.
8. Do not install this product near any heat sources, such as, radiators, heat registers, stove or other apparatus (including heat producing amplifiers) that produce heat.
9. Do not defeat the safety purpose of the polarized or grounding-type plug. A polarized plug has two blades with one wider than the other. A grounding-type plug has two blades and a third grounding prong. The side blade or the third prong are provided for your safety if the provided plug does not fit into your outlet, consult an electrician for replacement of the obsolete outlet.
10. Protect the power cord being walked on or pinched particularly at Plugs, convenience receptacles and the point where they exit from the apparatus. Do not break the ground pin of the power supply cord.
11. Only use attachments specified by the manufacturer.
12. Use only the cart, stand, tripod, bracket, or table specified by the manufacturer or sold with the apparatus. When a cart is used use caution when moving cart/apparatus combination to avoid injury from tip-over.
13. Unplug this apparatus during lightning storms or when unused for long periods of time.
14. Care should be taken so that objects do not fall and liquids are not spilled into the unit through the ventilation ports or any other openings.
15. Refer all servicing to qualified service personnel. Servicing is required when the apparatus has been damaged in any way; such as, power-supply cord or plug is damaged, liquid has been spilled or objects have fallen into the apparatus, the apparatus has been exposed to rain or moisture, does not operate normally or has been dropped.
16. WARNING: To reduce the risk of fire or electric shock, do not expose this apparatus to rain or moisture.
17. When the MAINS plug, or an appliance coupler is used as the disconnect device, the disconnect device should remain readily operable.
18. Protective Ground Terminal: The apparatus shall be connected to an AC main socket with a protective earth ground connection.

CAUTION
RISK OF ELECTRIC SHOCK
DO NOT OPEN

CAUTION: TO REDUCE THE RISK OF ELECTRIC SHOCK, DO NOT REMOVE CHASSIS. NO USER-SERVICEABLE PARTS INSIDE. REFER SERVICING TO QUALIFIED SERVICE PERSONNEL.

AVIS: RISQUE DE CHOC ELECTRIQUE-NE PAS OUVRIR.



FEATURES

- The SOUND TOWN ZETHUS series powered speakers has a built-in Class-D amplifier with digital signal processor (DSP).
- Built-in 2-Channel mixer with 1/4"/XLR, 1/8" AUX and bluetooth for great flexibility and control.
- Equipped with Bluetooth 5.0, the True Wireless Stereo (TWS) function allows you to pair two speakers at the same time for real stereo powerful sound.
- Customized HF / LF transducer provide powerful and professional sound.

In the package

- | |
|---|
| <ul style="list-style-type: none"> <li style="width: 50%;">• 1 ZETHUS speaker <li style="width: 50%;">• 1 User Manual <li style="width: 50%;">• 1 Power cable <li style="width: 50%;">• 1 Warranty Card |
|---|

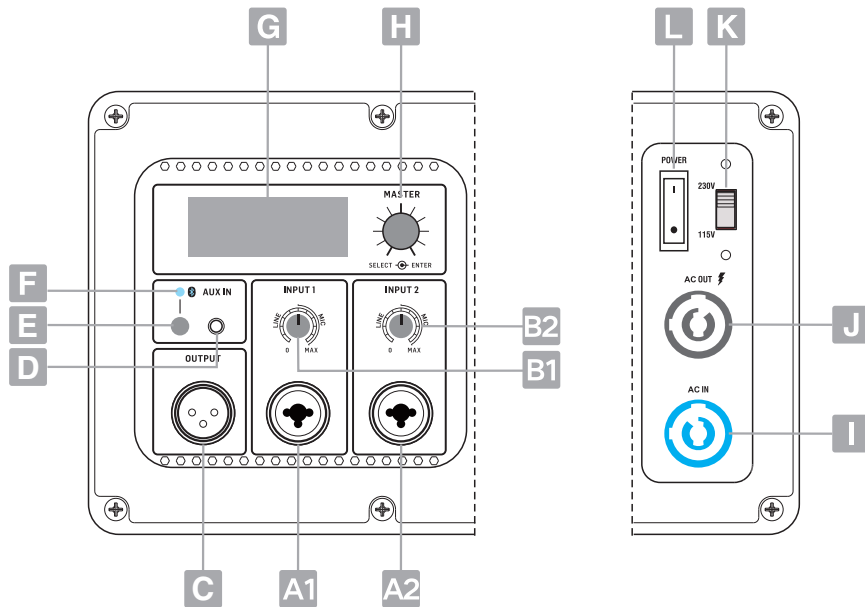
How can we help you?

CONTACT OUR US-BASED SUPPORT TEAM

Simple or complex, your questions are important to us. For service, support or more information, please contact the Sound Town support team:

Email: support@soundtown.com

Rear Panel Instruction



A1. CH1 INPUT: LINE/MIC audio source input using balanced XLR or 1/4" cables.

A2. CH2 INPUT: LINE/MIC audio source input using balanced XLR or 1/4" cables.

B1. CH1/AUX Volume: Rotate to adjust the gain level for INPUT1 or AUX IN. The knob should generally be set above the midway point for microphone signals or turned down for line level signals. *Note: For line level signals, adjust the knob over midway point might cause distortion, you can still raise the volume by adjust the 'MASTER' knob instead.

B2. CH2 Volume: Rotate to adjust the gain level for INPUT2. The knob should generally be set above the midway point for microphone signals or turned down for line level signals.

C. Line Output: Outputs combined signals from CH1 and CH2 INPUTS to another device via XLR male connector.

D. AUX IN: One 1/8" TRS connector is provided for signal input from mp3, smart phone, iPad etc. Stereo signals are summed to mono. Gain level will be controlled by CH1 VOLUME knob.

E. TWS Bluetooth Control: Short press to turn on and off Bluetooth function. Long press to set up TWS bluetooth connection or disconnect TWS bluetooth. Gain level will be controlled by MASTER knob.

F. Bluetooth Indicator: This indicator flashes when bluetooth is on and searching for connection. When bluetooth are paired successfully, the LED will light solid.

G. LCD: The DSP display.

H. MASTER:

1. Turn the MASTER knob to adjust the overall volume level.
2. DSP setting knob: by pressing or turning this knob to access the DSP setting. * Please refer to the 'DSP Setting Guide' for detail operation.

I. AC Input: Neutrik powerCON (A) receptacle for power input. It is important to supply the proper AC line voltage to the unit. Do not connect to intermittent or faulty power.

J. AC Output: Neutrik powerCON (B) connector for power output. It is important to supply the proper AC line voltage to the other unit.

K. Voltage selection: This switch is supplied for moving the unit from 115 voltage (US Standard) to 230 voltage (European Standard). The switch needs to be set on the proper voltage for your area.

L. Power Switch: To turn/off the speaker.

DSP Setting Guide

* Operating the 'MASTER' knob (**by turning to scroll and by pressing to confirm setting**) to set the DSP and the LCD display provides the status for the DSP setting.

1. MODE (Sound Programs): Press the MASTER knob twice to enter the speaker's MODE menu. 'MUSIC' will appear in the display.(Default setting.) Press MASTER knob to select this program, or turn the MASTER knob to scroll through the other options 'DJ', 'LIVE', 'SPEECH'. Press the MASTER knob to confirm selection.

2. LOCATION: Press the MASTER knob and turn the knob until 'LOCATION' appears. Press the knob again to edit this function. Select 'NORMAL' when the speaker is used as main speaker or select 'MONITOR' when the speaker is used as a floor monitor.

3. 3-BAND EQ: Press the MASTER knob once and turn to scroll through the 3-Band EQ menu: 'HIGH EQ' (treble), 'MID EQ' (mid range), 'LOW EQ' (bass). Press the MASTER knob again to enter the frequency menu and turn the MASTER knob clockwise to boost the frequency up to 12dB, or turn counterclockwise to reduce by up to 12 dB. Press the MASTER knob to confirm your settings.

4. SUB (Bass Boost): Press the MASTER knob once and turn the knob until 'SUB' appears in the display. Press the MASTER knob again to enter the speaker's Bass Boost menu. Turn the knob to select between OFF, 80, 100, 120 or 150 Hz, and press the MASTER knob again to confirm. Audio signal will be activated a boost (around 3dB raise) at the selected frequency.

5. Delay: Press the MASTER knob once and turn the knob until 'DELAY' appears, then press the knob again to access the edit menu. This function causes the signal to be delayed a small amount of time to allow the music to be played in time with speakers located in a distance.

6. LCD DIM / BRIGHT / CONTRAST: Edit these menus to adjust the LCD display when needed.