

SDRK Series

Studio Desk Workstation



MODEL: **FINISH**

SDRK-SDF2 Golden Oak

SDRK-SDF2B Weathered Brown

SDRK-SDF2CB Carbonized Bamboo



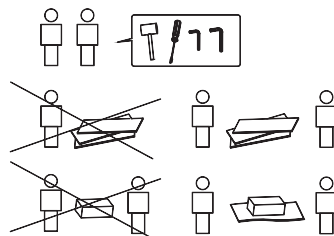
Sound Town Inc.

Los Angeles, California, USA

www.soundtown.com

IMPORTANT SAFETY INSTRUCTIONS

NOTE: In order to avoid injury or damages, please do not try to assemble your desk alone. It is a massive and heavy desk and requires at least two people to carry out assembly. Please assemble on soft surface to avoid scratches to the lacquer.



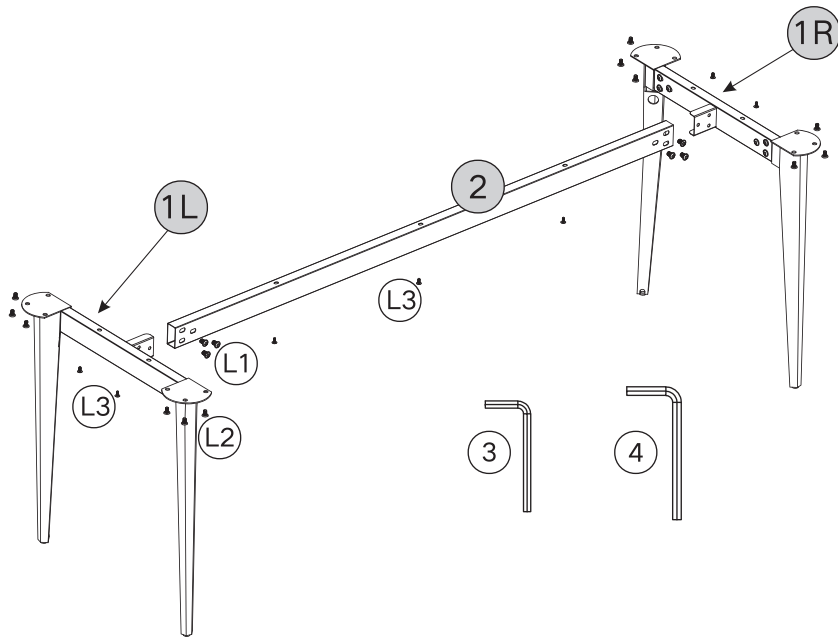
1. Before assembly and using this products, please read this manual carefully and keep the manual properly for future reference.
2. This product should not be used near water, i.e. Bathtub, sink, swimming pool, wet basement etc.
3. Only use dry cloth to clean this product.
4. Do not install this product near any heat sources, such as, radiators, heat registers, stove or other apparatus that produce heat.
5. It's important to make sure the loading equipment keeps the workstation balanced to avoid injury or damage from tip-over.

OVERVIEW AND DIMENSIONS



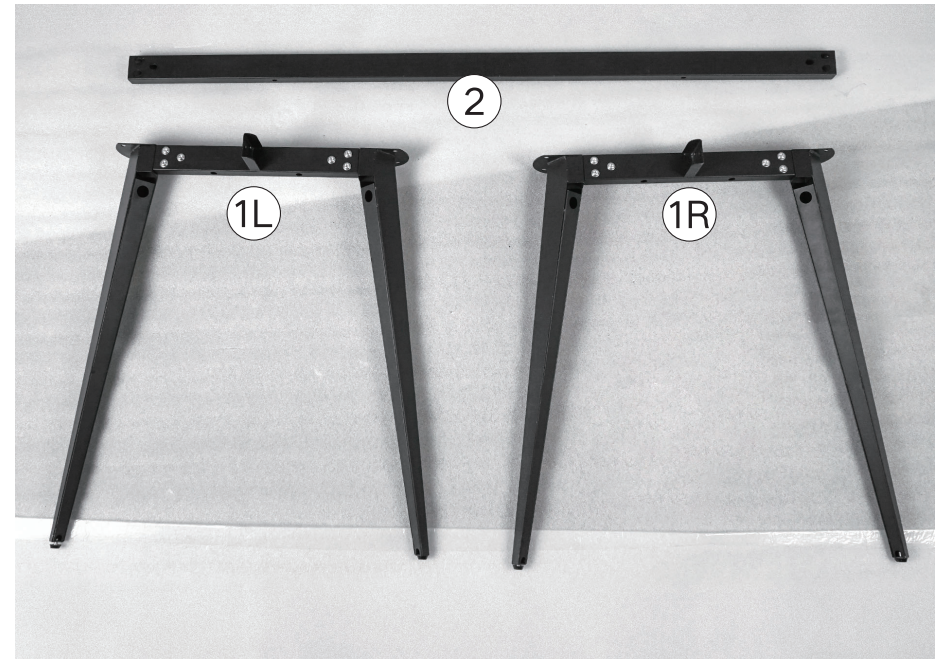
IRON BASE SET

Exploded Diagram



Item	Qty	Description	Item	Qty	Description
①L ①R	1 pair	Leg (Left and right)	L1	6pcs	M8*12 Machine Screws
②	1pc	Center Crossbar	L2	12pcs	M6*12 Machine Screws
③	1pc	N6mm Allen Wrench	L3	12pcs	M4*14 Self-tapping Screws
④	1pc	N4mm Allen Wrench			

IRON BASE SET in the package

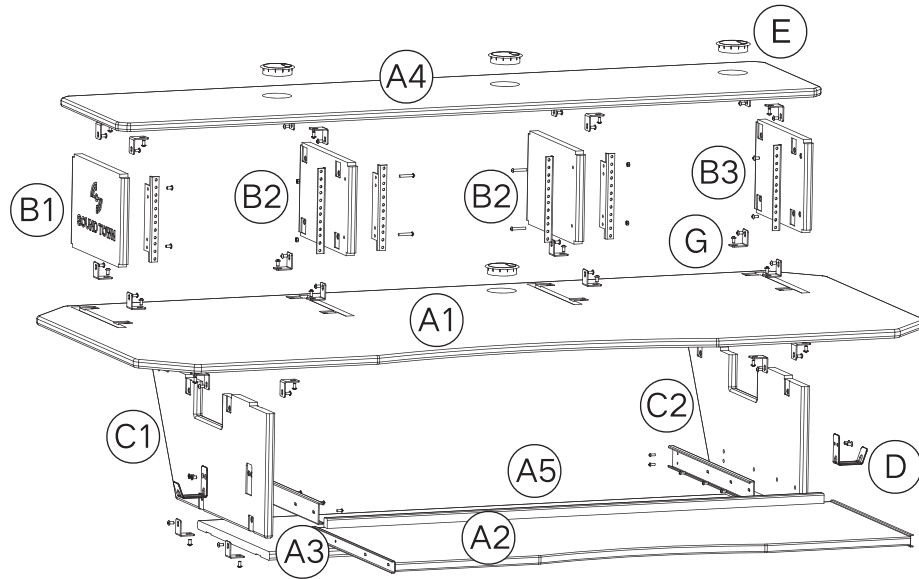


Enlarged View of Accessories



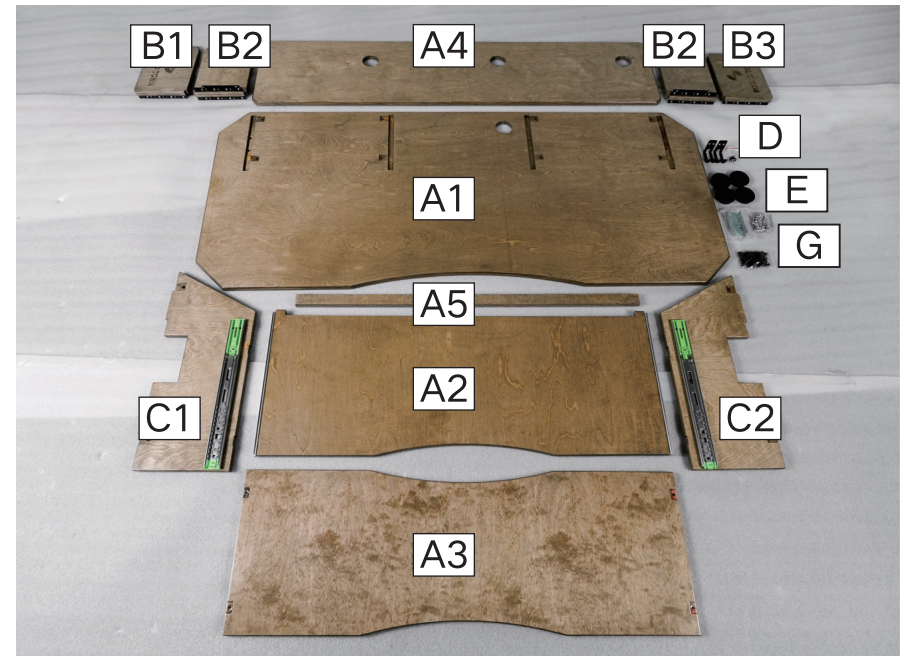
WOODEN WORKBENCH SET

Exploded Diagram



Item	Qty	Description	Item	Qty	Description
A1	1 pc	Main Surface	C1	1 pc	Lower Left Panel
A2	1 pc	Pull Out Board	C2	1 pc	Lower Right Panel
A3	1 pc	Bottom Board	D	2 pcs	Hook
A4	1 pc	Top Shelf	E	4 pcs	Cable Grommet
A5	1 pc	Back Board (Tailgate)	G	30 pcs	G1: Metal Bracket
B1	1 pc	Upper Left Panel		60 pcs	G2: M5*10 Machine Screws
B2	2 pcs	Divider	L4	4 pcs	M5*10 Self-tapping Screws
B3	1 pc	Upper Right Panel	L5	48 pcs	M5*18 Screws (For Rail equipment)
⑤	2 pcs	N3mm Allen Wrench			

WOODEN WORKBENCH SET in the package

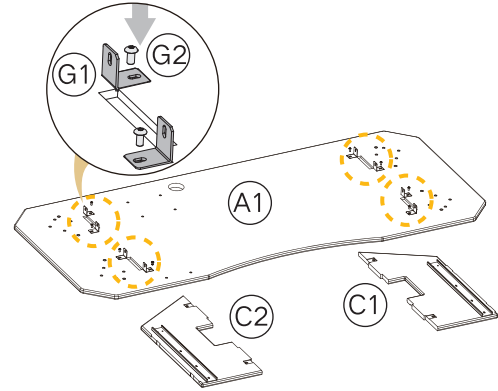


Enlarged View of Accessories

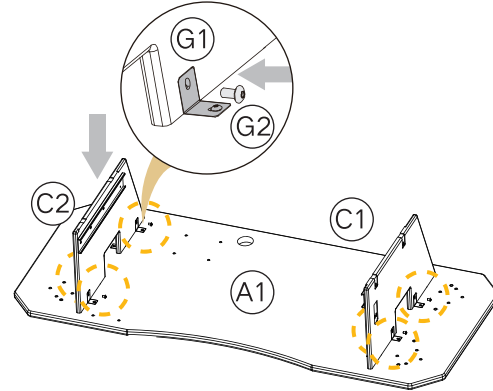


ASSEMBLY STEP

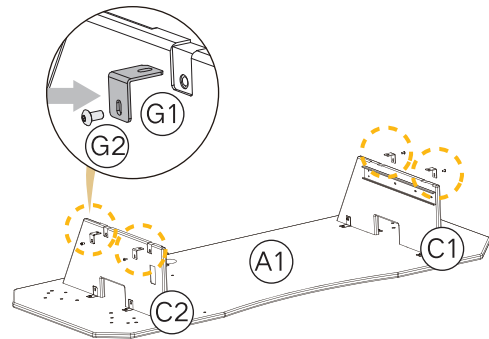
1. Place the **Main Surface** (A1) on the ground with the slotted side facing upwards. Fix one end of each of the eight **Metal Bracket** (G1) to the slots on the **A1**, using **M5x10 Screws** (G2). Prepare the **C1** & **C2** as shown below.



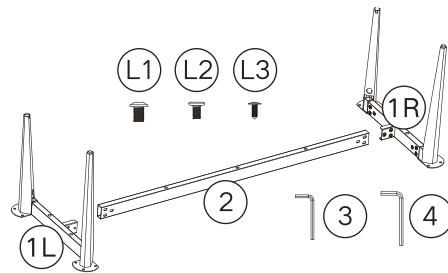
2. Insert **C1** and **C2** vertically into the slots of A1 with the drawer slides facing inwards, which may need to be tightened gently with a rubber hammer. Fix the other end of the eight **Metal Bracket** (G1) on **C1** and **C2**, using **M5x10 Screws** (G2).



3. Fix one end of each of the four **Metal Bracket** (G1) to the top of **C1** and **C2** respectively with **M5x10 Screws** (G2), as shown below.

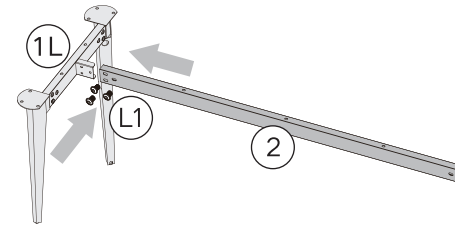


4. Prepare the **Left & Right Leg** (1L, 1R), the **Center Crossbar** (2), the **Allen Wrench** (3, 4) and the **Screws** (L1, L2, L3) as shown below.

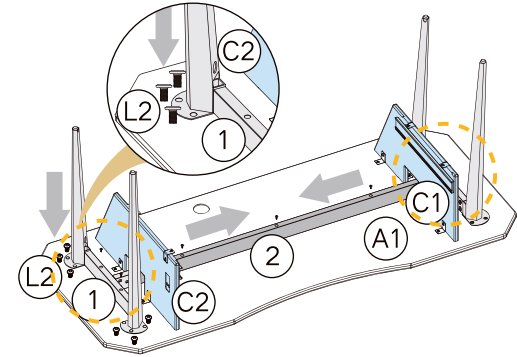


ASSEMBLY STEP

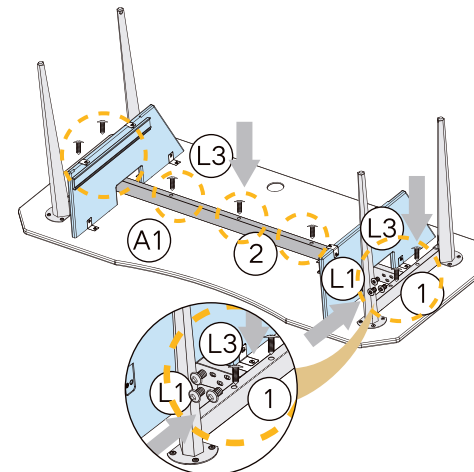
5. Insert the **Left Leg** (1L) centre protrusion into the **Crossbar** (2) as shown below and secure with the **M8x12 Screws** (L1), then you will get the **Left Leg Assembly**.



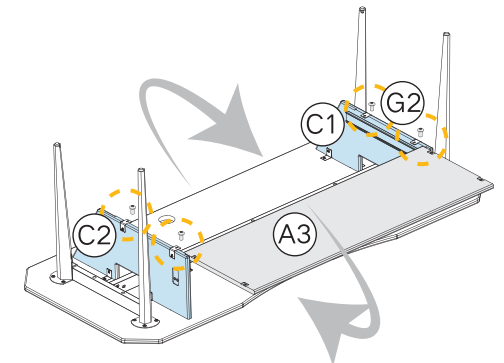
6. Flip over the **Left Leg Assembly** and insert the **Crossbar** (2) into the hole in **C2** & **C1** as shown below, aligning the mounting holes in **A1**, then secure the **Left Leg** (1L) to **A1** with the **M6x12 Screws** (L2). Fix the **Right Leg** (1R) to **A1** in the same way.



7. Use **M8x12 Screws** (L1) to lock the **Crossbar** (2) and **Right Leg** (1R), then use **M4x14 Self-tapping Screws** (L3) to lock both **Left & Right Leg** (1L & 1R), **Crossbar** (2) to the **Main Surface** (A1).

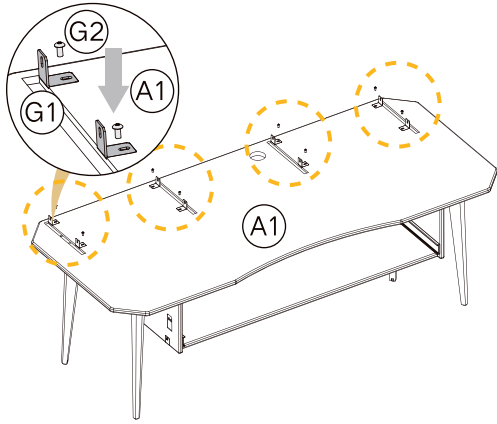


8. Secure **Bottom Board** (A3) to **C1** and **C2** with the **Metal Bracket** (G1) previously installed in step 3, locking with **M5x10 Screws** (G2). Then flip over the desk to standing position.

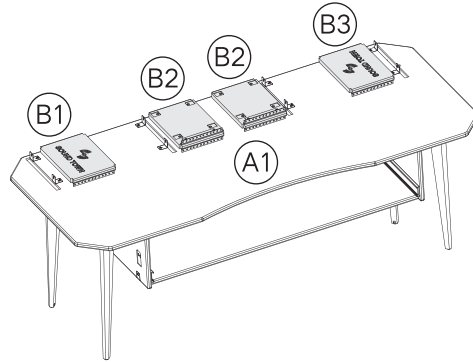


ASSEMBLY STEP

9. Secure one end of the eight **Metal Bracket** (G1) to the **Main Surface** (A1) with **M5x10 Screws** (G2) as shown below.

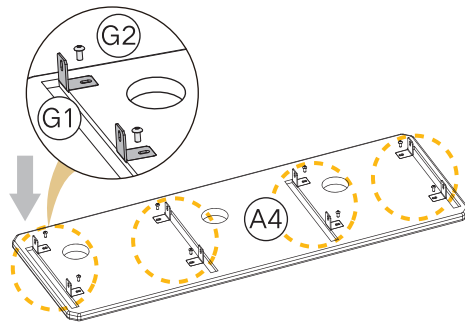


10. Prepare the **B1, B2** and **B3** board as shown below.



11. Insert **B1, B2 & B3** vertically into the slots on **A1**, make sure the **B1 & B3** with the logo facing outwards, which may need to be tightened gently with a rubber hammer. Secure one end of the eight **Metal Bracket** (G1) to the **Main Surface** (A1) with **M5x10 Screws** (G2).

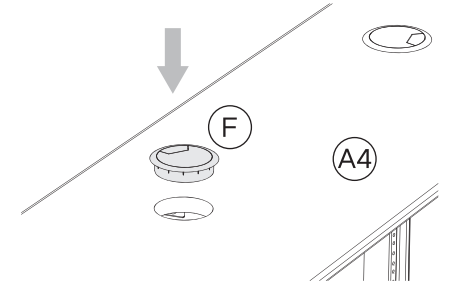
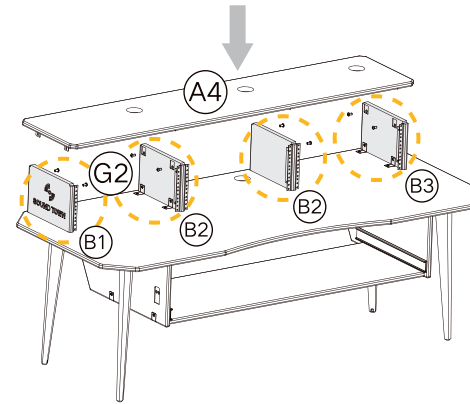
12. Place the **Top Shelf** (A4) on the ground with the slotted side facing upwards. Use **G2** screws secure the **Metal Bracket** (G1) on the **A4** as shown below.



ASSEMBLY STEP

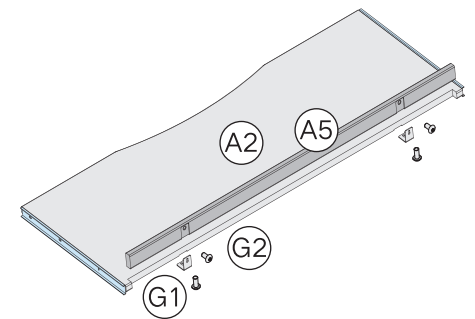
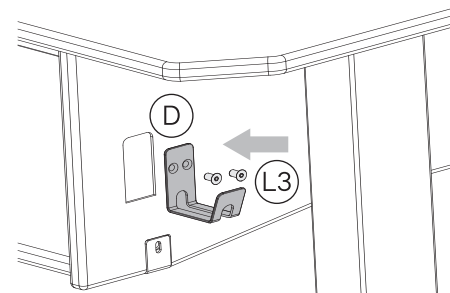
13. Flip over the **Top Shelf** (A4) and place on top of **B1, B2** and **B3** as shown below, then secure all **G1** with **G2** screws.

14. Install four **Cable Grommets** (F) on **A4**.



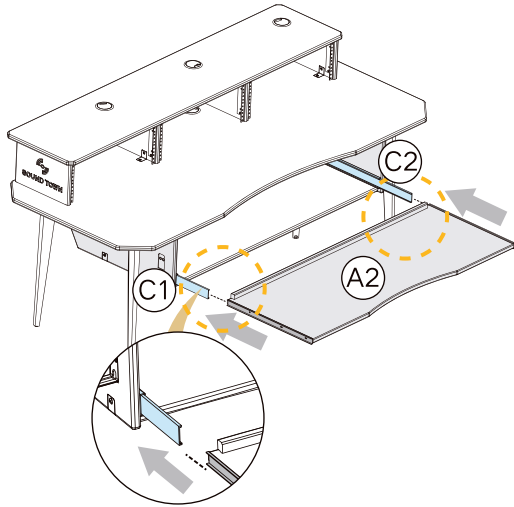
15. Attach the two **Hook** (D) to the outside of the **C1** and **C2** and secure with the **M5x10 Screws** (L3).

16. Secure **A5** to **A2** with **G1** Metal Brackets and **G2** Screws as shown below.

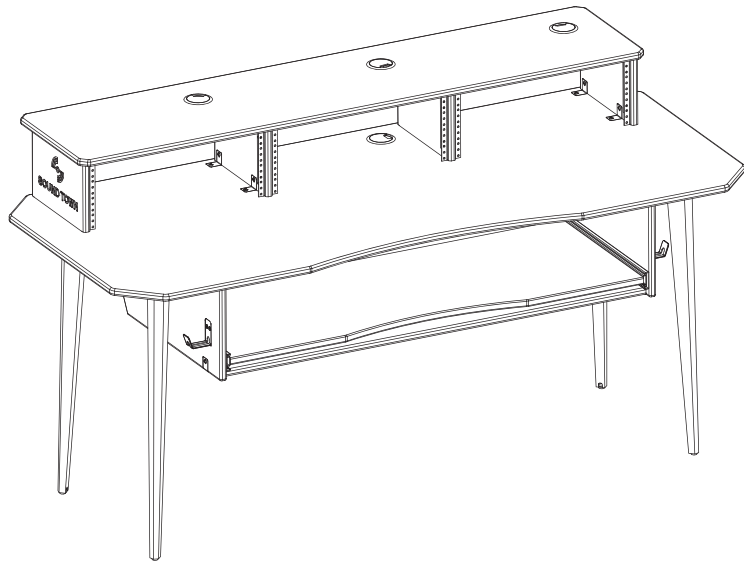


ASSEMBLY STEP

17. Pull out the drawer slides on **C1** and **C2**, align the left and right side of the **A2** with the drawer slide, insert the **A2** and push into the very end, pulling back and forth to make sure it can move smoothly.



Congratulations your installation is complete!



How can we help you?

CONTACT OUR US-BASED SUPPORT TEAM

Simple or complex, your questions are important to us. For service, support or more information, please contact the Sound Town support team:

Email: support@soundtown.com