

# CARPO-P Series

Passive Column Array Loudspeaker



CARPO-P3  
(By Pair)



CARPO-P6  
(By Pair)



CARPO-P12  
(By Piece)

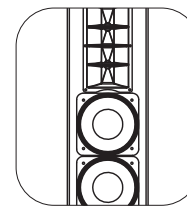
## IMPORTANT SAFETY INSTRUCTIONS

1. Read all safety and operating instructions before using this product.
2. All safety and operating instructions should be kept for future reference.
3. Read and understand all warnings listed on the operating instructions.
4. Follow all operating instructions to operate this product.
5. This product should not be used near water, i.e. Bath tub, sink, swimming pool, web basement etc.
6. Only use dry cloth to clean this product.
7. Do not block any ventilation openings, it should not be placed flat against a wall or placed in a built-in enclosure that will impede the flow of cooling air.
8. Do not install this product near any heat sources, such as, radiators, heat registers, stove or other apparatus (including heat producing amplifiers) that produce heat.
9. Do not defeat the safety purpose of the polarized or grounding-type plug. A polarized plug has two blades with one wider than the other. A grounding-type plug has two blades and a third grounding prong. The side blade or the third prong are provided for your safety if the provided plug does not fit into your outlet, consult an electrician for replacement of the obsolete outlet.
10. Protect the power cord being walked on or pinched particularly at Plugs, convenience receptacles and the point where they exit from the apparatus. Do not break the ground pin of the power supply cord.
11. Only use attachments specified by the manufacturer.
12. Use only the cart, stand, tripod, bracket, or table specified by the manufacturer or sold with the apparatus. When a cart is used use caution when moving cart/apparatus combination to avoid injury from tip-over.
13. Unplug this apparatus during lightning storms or when unused for long periods of time.
14. Care should be taken so that objects do not fall and liquids are not spilled into the unit through the ventilation ports or any other openings.
15. Refer all servicing to qualified service personnel. Servicing is required when the apparatus has been damaged in any way; such as, power-supply cord or plug is damaged, liquid has been spilled or objects have fallen into the apparatus, the apparatus has been exposed to rain or moisture, does not operate normally or has been dropped.
16. **WARNING:** To reduce the risk of fire or electric shock, do not expose this apparatus to rain or moisture.
17. **Correct disposal of this product:** This symbol indicates that this product must not be disposed of with household waste, according to the national law. This product should be take to a collection center licensed for the recycling of waste electrical and electronic equipment. The mishandling of this type of waste could have a possible negative impact on the environment and human health due to potentially hazardous substances. At the same time, your cooperation in the correct disposal of this product will contribute to the efficient use natural resources. For more information about where you can take your waste equipment for recycling, please contact your local city office, or your household waste collection service.

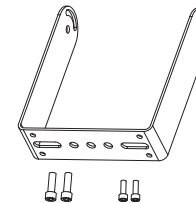


## In the package

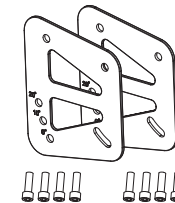
ITEM	CARPO-P3	CARPO-P6	CARPO-P12
A: Column Array Loudspeaker	2	2	1
B: U Bracket	2	2	1
M8x25 Machine Screw	4	4	2
M6x18 Machine Screw	4	4	2
C: Extension Plate	2	2	0
M8x25 Machine Screw	8	8	0
D: User Manual	1	1	1



A



B

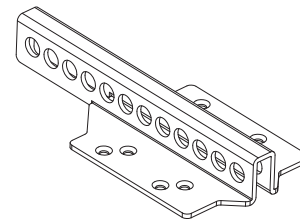


C



D

## Optional Accessories (Sold Separately)



CARPO-PFF  
(Flying Frame)



CWB-1A-PAIR  
(Ominimount Bracket)

# Installation

## 1. Standard Wall Mount

(With the U bracket included in the package)

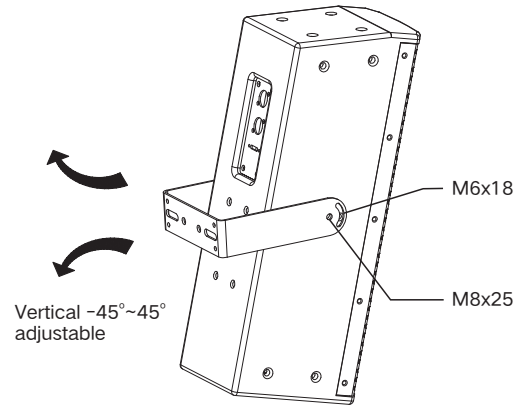


Fig. 1

STEP 1: Remove the M6 and M8 locating inserts from the cabinet as shown in Fig. 1

STEP 2: Align the U bracket with the screw holes and use the included M8x25 machine screws to fix it to both side on the cabinet

STEP 3: Insert the included M6x18 machine screws through the curved slots on the U bracket into the screw holes but do not tighten them.

STEP 4: Adjust the U bracket to your desired angle and then tighten the M6x18 screws on both side.

## 2. Optional 'Omnimount' Wall Mount

(Optional omnimount bracket CWB-1A-PAIR available separately)

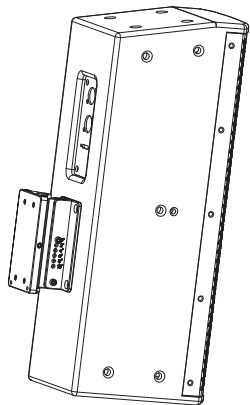
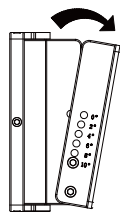
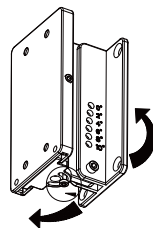


Fig. 2

Refer to CWB-1A user manual for installation procedures.



Vertical 0°~10° adjustable



Horizontal -90°~90° adjustable

## 3. Extension

For CARPO-P3 and CARPO-P6 only.

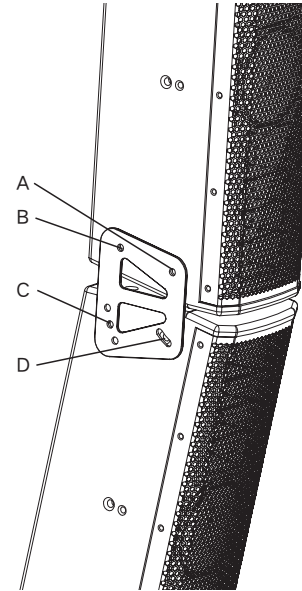


Fig. 3

STEP 1: Remove all the M8 locating inserts (A,B,C&D) from the both upper and lower cabinet as shown in Fig. 3

STEP 2: Align the extension plate with the screw holes on the upper cabinet (point A&B) and use the included M8x25 machine screws to fix it to cabinet

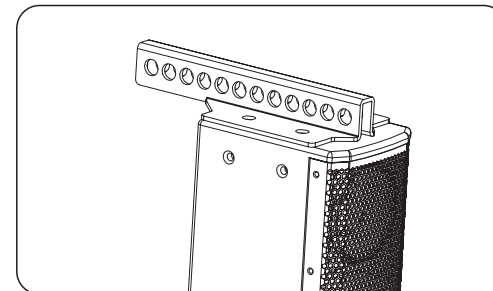
STEP 3: Insert another M8x25 machine screw through the curved slots on the extension plate into the screw hole (point D) but do not tighten it

STEP 4: Determine the angle between the two cabinets, (0°, 10° and 20° on choice), adjust the lower cabinet until the point C lines up with the hole marked with the correct angle you choosed. Then fix it with a M8x25 screw

STEP 5: Tighten the screw on point D

## 4. Flying Frame

Optional flying frame CARPO-PFF available separately.



## Specifications

MODEL	CARPO-P3	CARPO-P6	CARPO-P12
Configuration	2 x 5" Column	4 x 5" Column	6 x 5" Column
LF Driver	2 x 5"	4 x 5"	6 x 5"
HF Driver	2 x 0.75"	2 x 0.75"	2 x 0.75"
Dispersion	120° x 20° (H x V)		
Input Impedance	12 Ω	8 Ω	8 Ω
RMS Power	250W	450W	650W
Program Power	500W	900W	1300W
Frequency Response	92Hz~20K Hz	90Hz~20K Hz	90Hz~20K Hz
Sensitivity	94dB, 1W @ 1m	96dB, 1W @ 1m	97dB, 1W @ 1m
SPL	122dB (Peak)	124dB (Peak)	126dB (Peak)
Connector	Speakon & Barrier Strip		
Mounting Hardware	U Bracket, Optional Omnimount Bracket, Optional Flying Frame		
Enclosure	Plywood with Texture Coating		
Color	Black/ White		
Grille	Powder-coated marine-grade metal		
Dimensions (W x D x H)	6.5" x 8.5" x 21.3"	6.5" x 8.5" x 31.5"	6.5" x 8.5" x 41.7"
Net Weight	??Lbs	??Lbs	??Lbs

## How can we help you?

CONTACT OUR US-BASED SUPPORT TEAM

Simple or complex, your questions are important to us. For service, support or more information, please contact the Sound Town support team:

Email: [support@soundtown.com](mailto:support@soundtown.com)