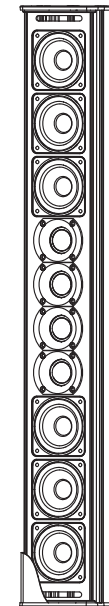


# CARPO-M64

Two-way Column Array Loudspeaker



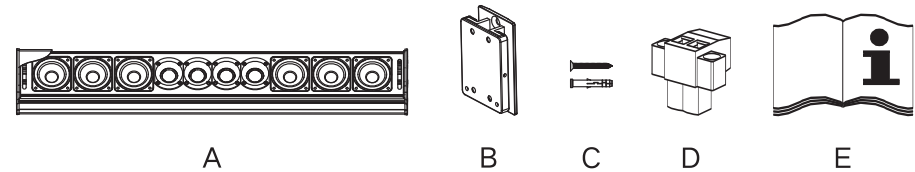
## IMPORTANT SAFETY INSTRUCTIONS

1. Read all safety and operating instructions before using this product.
2. All safety and operating instructions should be kept for future reference.
3. Read and understand all warnings listed on the operating instructions.
4. Follow all operating instructions to operate this product.
5. This product should not be used near water, i.e. Bathtub, sink, swimming pool, web basement etc.
6. Only use dry cloth to clean this product.
7. Do not block any ventilation openings, it should not be placed flat against a wall or placed in a built-in enclosure that will impede the flow of cooling air.
8. Do not install this product near any heat sources, such as, radiators, heat registers, stove or other apparatus (including heat producing amplifiers) that produce heat.
9. Do not defeat the safety purpose of the polarized or grounding-type plug. A polarized plug has two blades with one wider than the other. A grounding-type plug has two blades and a third grounding prong. The side blade or the third prong are provided for your safety if the provided plug does not fit into your outlet, consult an electrician for replacement of the obsolete outlet.
10. Protect the power cord being walked on or pinched particularly at Plugs, convenience receptacles and the point where they exit from the apparatus. Do not break the ground pin of the power supply cord.
11. Only use attachments specified by the manufacturer.
12. Use only the cart, stand, tripod, bracket, or table specified by the manufacturer or sold with the apparatus. When a cart is used use caution when moving cart/apparatus combination to avoid injury from tip-over.
13. Unplug this apparatus during lightning storms or when unused for long periods of time.
14. Care should be taken so that objects do not fall and liquids are not spilled into the unit through the ventilation ports or any other openings.
15. Refer all servicing to qualified service personnel. Servicing is required when the apparatus has been damaged in any way; such as, power-supply cord or plug is damaged, liquid has been spilled or objects have fallen into the apparatus, the apparatus has been exposed to rain or moisture, does not operate normally or has been dropped.
16. **WARNING:** To reduce the risk of fire or electric shock, do not expose this apparatus to rain or moisture.
17. Correct disposal of this product: This symbol indicates that this product must not be disposed of with household waste, according to the national law. This product should be take to a collection center licensed for the recycling of waste electrical and electronic equipment. The mishandling of this type of waste could have a possible negative impact on the environment and human health due to potentially hazardous substances. At the same time, your cooperation in the correct disposal of this product will contribute to the efficient use natural resources. For more information about where you can take your waste equipment for recycling, please contact your local city office, or your household waste collection service.



## In the package

ITEM	QTY	DESCRIPTION
A	1	Column Array Loudspeaker
B	1	Standard Wall Mount Bracket
C	4	Expansion Screw
D	1	Detachable Input Terminal Block
E	1	User Manual



## Features

Designed specifically for venue with challenging acoustics.

Integrates the 6 x 3" woofers and 4 x 1.2" soft dome tweeters.

Line array effects create consistent 25° x 140° coverage.

Direct radiating drivers provide extra wide horizontal coverage.

Built-in low-inductance passive crossover.

Various installation.

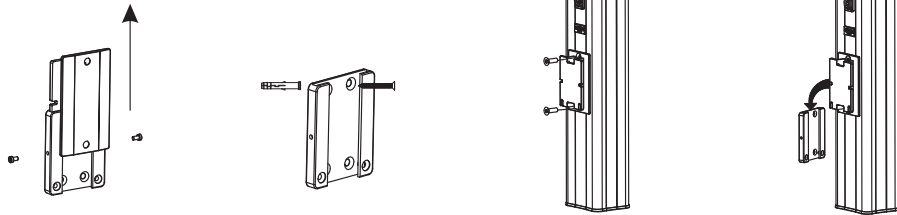
Standard wall mounting bracket included.

Optional adjustable wall mounting bracket or stand mounting adaptor available.

# Installation

## 1. Standard Wall Mount

(Standard mounting bracket included in package)



**STEP 1:** Remove the 2 small screws and slide the 'Speaker attach plate' out of the 'Wall-mount plate'.

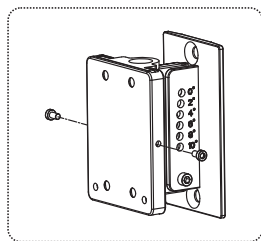
**STEP 2:** Using the 4 provided 'Expansion anchor and screws' to secure the 'Wall-mount plate' to the wall.

**STEP 3:** Fix the 'Speaker attach plate' on the column back by 2 screws.

**STEP 4:** Hang the column on the 'Wall-mount plate' and slide in the 'Speaker attach plate'.

## 2. Adjustable Wall Mount

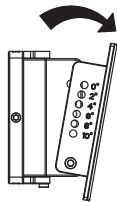
(Optional adjustable mounting bracket need to purchase separately)



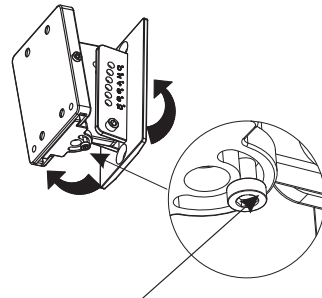
Part # STCL-AB

This adjustable wall bracket is also supplied as two interlocking plate. One plate attaches to the rear of the speaker and the other secured to the wall. (Same installation step as the standard bracket but angle adjustable.)

Vertical angle 0°~10° adjustable



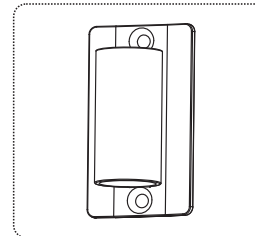
Horizontal angle +90°~-90° adjustable



Before adjusting horizontal angle, first loosen the hex-screw on the bottom. Fasten the screw after adjustment.

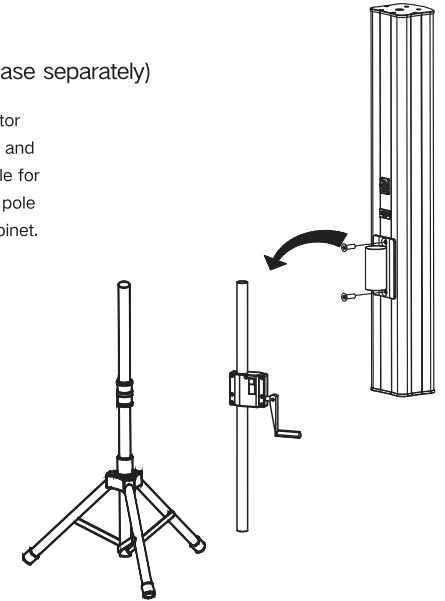
## 3. Pole Mount

(Optional pole mounting adaptor need to purchase separately)

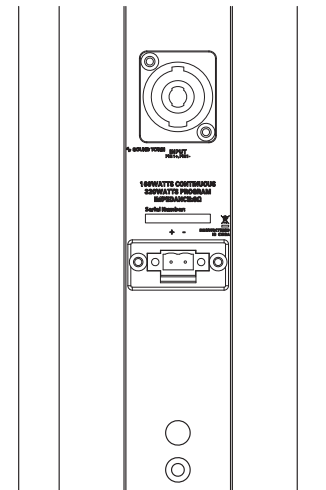


Part # STCL-POLESET

This pole mounting adaptor fits standard 35mm tube and make the speaker suitable for tripod speaker stands or pole stands on subwoofer cabinet.



# Connections



Other than a regular SPEAKON connector, the speaker also provide a 2 pin EUROBLOCK connector. When the speaker is installed close to the wall and don't have enough space for SPEAKON, use the 2 pin EUROBLOCK connector and make the wiring according to Figure 1.1.



Figure 1.1

## Specifications

MODEL	CARPO-M64
Operating Range	100~20kHz
Nominal Beamwidth	140° x 25° (H x V)
LF Driver	6 x 3"
HF Driver	4 x 1.2" Dome
Input Impedance	8 Ω
Continues Power Rating	160W
Peak Power	320W
Sensitivity	95dB, 1W @ 1m
SPL	123dB (Peak)
Connector	Speakon & 2-pole Euroblock
Mounting Hardware	Wall-mount Bracket or Pole-mount Adaptor
Enclosure	Extrusion Aluminum
Color	Black/ White
Grille	Powder-coated marine-grade metal
Dimensions (W x D x H)	4.37"/111mm x 3.86"/98mm x 30.31"/770mm
Net Weight	6.8kgs, 15Lbs

## How can we help you?

CONTACT OUR US-BASED SUPPORT TEAM

Simple or complex, your questions are important to us. For service, support or more information, please contact the Sound Town support team:

Email: [support@soundtown.com](mailto:support@soundtown.com)