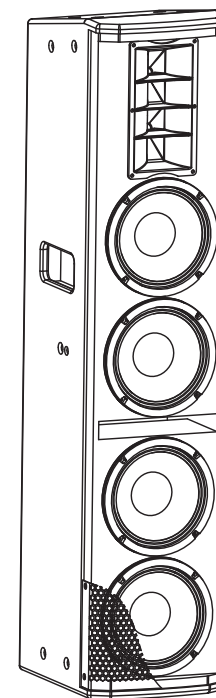


 **SOUND TOWN**

CARPO-K8PW

Powered Column Array Loudspeaker



PRODUCT MANUAL

 **SOUND TOWN**

Sound Town Inc.

Los Angeles, California, USA

www.soundtown.com

IMPORTANT SAFETY INSTRUCTIONS

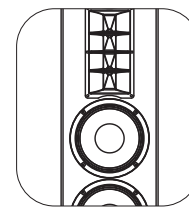
1. Read all safety and operating instructions before using this product.
2. All safety and operating instructions should be kept for future reference.
3. Read and understand all warnings listed on the operating instructions.
4. Follow all operating instructions to operate this product.
5. This product should not be used near water, i.e. Bath tub, sink, swimming pool, web basement etc.
6. Only use dry cloth to clean this product.
7. Do not block any ventilation openings, it should not be placed flat against a wall or placed in a built-in enclosure that will impede the flow of cooling air.
8. Do not install this product near any heat sources, such as, radiators, heat registers, stove or other apparatus (including heat producing amplifiers) that produce heat.
9. Do not defeat the safety purpose of the polarized or grounding-type plug. A polarized plug has two blades with one wider than the other. A grounding-type plug has two blades and a third grounding prong. The side blade or the third prong are provided for your safety if the provided plug does not fit into your outlet, consult an electrician for replacement of the obsolete outlet.
10. Protect the power cord being walked on or pinched particularly at Plugs, convenience receptacles and the point where they exit from the apparatus. Do not break the ground pin of the power supply cord.
11. Only use attachments specified by the manufacturer.
12. Use only the cart, stand, tripod, bracket, or table specified by the manufacturer or sold with the apparatus. When a cart is used use caution when moving cart/apparatus combination to avoid injury from tip-over.
13. Unplug this apparatus during lightning storms or when unused for long periods of time.
14. Care should be taken so that objects do not fall and liquids are not spilled into the unit through the ventilation ports or any other openings.
15. Refer all servicing to qualified service personnel. Servicing is required when the apparatus has been damaged in any way; such as, power-supply cord or plug is damaged, liquid has been spilled or objects have fallen into the apparatus, the apparatus has been exposed to rain or moisture, does not operate normally or has been dropped.
16. WARNING: To reduce the risk of fire or electric shock, do not expose this apparatus to rain or moisture.
17. When the MAINS plug, or an appliance coupler is used as the disconnect device, the disconnect device should remain readily operable.
18. Protective Ground Terminal: The apparatus shall be connected to an AC main socket with a protective earth ground connection.



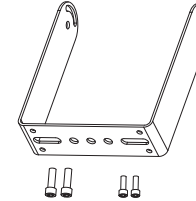
FEATURES

- The SOUND TOWN CARPO-K8PW powered column array speaker has a built-in Class-D amplifier with digital signal processor (DSP).
- Built-in 2-Channel mixer with 1/4"/XLR, 1/8" AUX and bluetooth for great flexibility and control.
- Equipped with Bluetooth 5.0, the True Wireless Stereo (TWS) function allows you to pair two speakers simultaneously for real stereo powerful sound.
- Included U-bracket and 10° adapter. Optional extension bracket and flying frame are available for hanging and integrating two or more columns together.

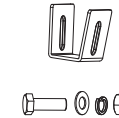
In the package



CARPO-K8PW Column Array Loudspeaker x 1



U Bracket x 1
M8x25 Machine Screw x 2
M6x18 Machine Screw x 2

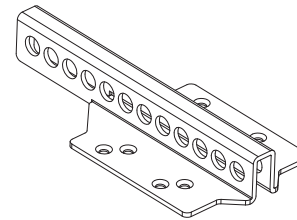


10° Adapter x 1
M10x30 Screw Bolt,
Flat Washer, Spring Washer
and Nut x 1

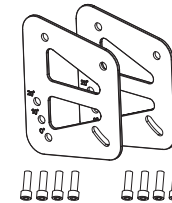


User Manual

Optional Accessories (Sold Separately)



CARPO-PFF
(Flying Frame)



CARPO-EP
(Extension Plate x 2)
(M8x25 Machine Screw x 8)

Installation

1. Standard Wall Mount

(With the U bracket included in the package)

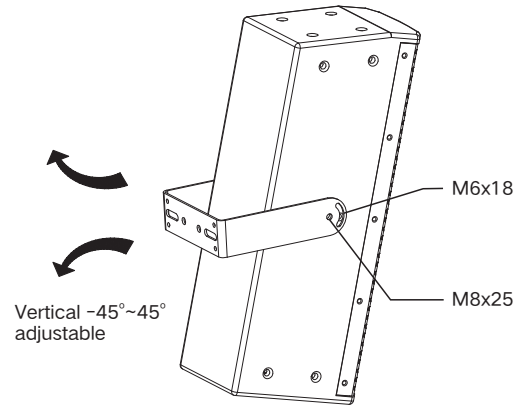


Fig. 1

STEP 1: Remove the M6 and M8 locating inserts from the cabinet as shown in Fig. 1

STEP 2: Align the U bracket with the screw holes and use the included M8x25 machine screws to fix it to both side on the cabinet

STEP 3: Insert the included M6x18 machine screws through the curved slots on the U bracket into the screw holes but do not tighten them.

STEP 4: Adjust the U bracket to your desired angle and then tighten the M6x18 screws on both side.

2. 10° Adapter

When the 10° adapter is added to the U-bracket, the column speaker can be wall mounted with a 10° deflection to the left or right, or adding 10° of downward deflection.

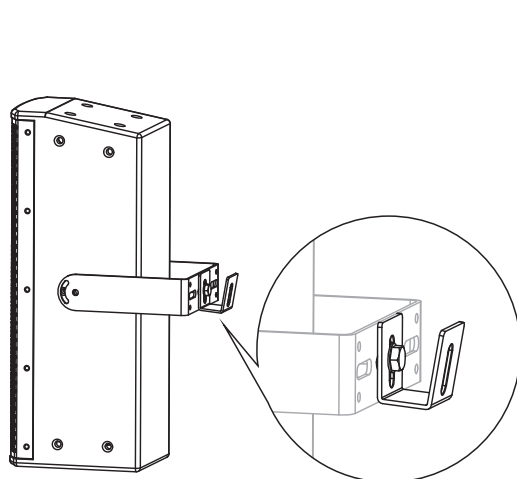
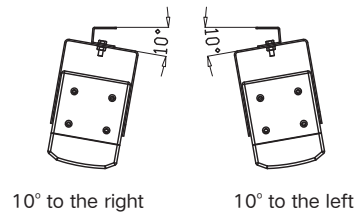
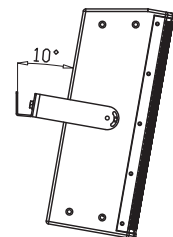


Fig. 2



10° to the right

10° to the left



Adding 10° downward

3. Extension

Optional extension plate **CARPO-EP** available separately.

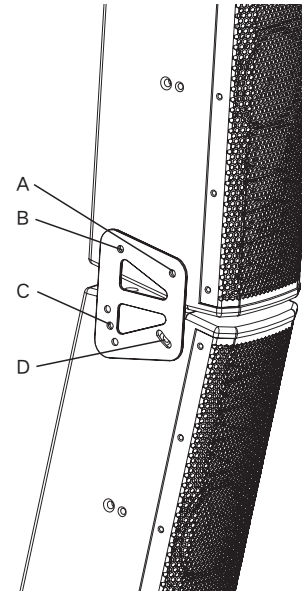


Fig. 3

STEP 1: Remove all the M8 locating inserts (A,B,C&D) from the both upper and lower cabinet as shown in Fig. 3

STEP 2: Align the extension plate with the screw holes on the upper cabinet (point A&B) and use the included M8x25 machine screws to fix it to cabinet

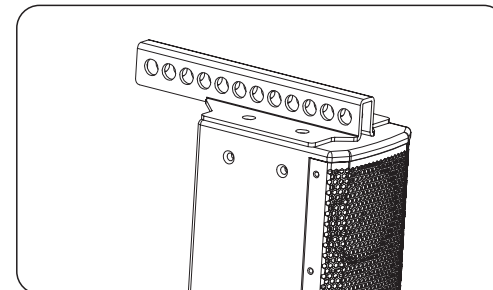
STEP 3: Insert another M8x25 machine screw through the curved slots on the extension plate into the screw hole (point D) but do not tighten it

STEP 4: Determine the angle between the two cabinets, (0°, 10° and 20° on choice), adjust the lower cabinet until the point C lines up with the hole marked with the correct angle you choosed. Then fix it with a M8x25 screw

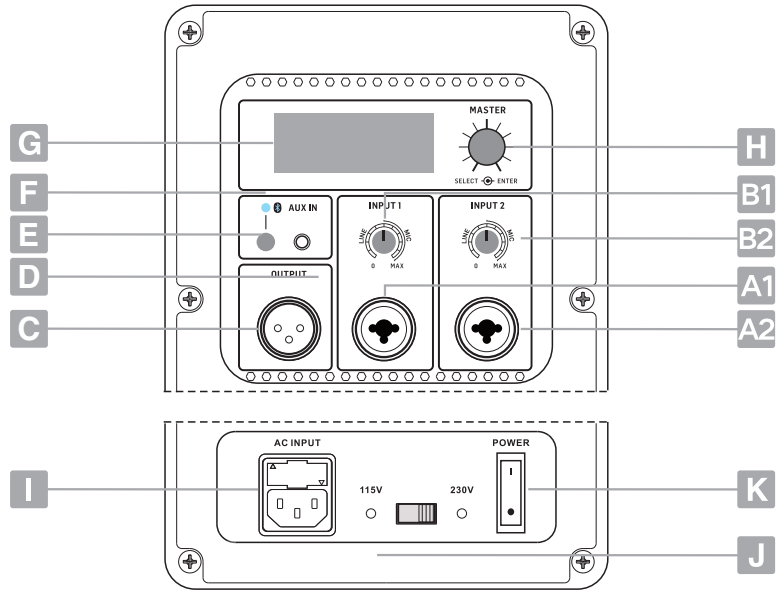
STEP 5: Tighten the screw on point D

4. Flying Frame

Optional flying frame **CARPO-PFF** available separately.



Rear Panel Instruction



A1. CH1 INPUT: LINE/MIC audio source input using balanced XLR or 1/4" cables.

A2. CH2 INPUT: LINE/MIC audio source input using balanced XLR or 1/4" cables.

B1. CH1/AUX Volume: Rotate to adjust the gain level for INPUT1 or AUX IN. The knob should generally be set above the midway point for microphone signals or turned down for line level signals. *Note: **For** line level signals, **adjust** the knob over midway point might cause distortion, you can still raise the volume by adjust the 'MASTER' knob instead.

B2. CH2 Volume: Rotate to adjust the gain level for INPUT2. The knob should generally be set above the midway point for microphone signals or turned down for line level signals.

C. Line Output: Outputs combined signals from CH1 and CH2 INPUTS to another device via XLR male connector.

D. AUX IN: One 1/8" TRS connector is provided for signal input from mp3, smart phone, iPad etc. Stereo signals are summed to mono. Gain level will be controlled by CH1 VOLUME knob.

E. TWS Bluetooth Control: Short press to turn on and off Bluetooth function. Long press to set up TWS bluetooth connection or disconnect TWS bluetooth. Gain level will be controlled by MASTER knob.

F. Bluetooth Indicator: This indicator flashes when bluetooth is on and searching for connection. When bluetooth are paired successfully, the LED will light solid.

G. LCD: The DSP display.

H. MASTER:

1. Turn the MASTER knob to adjust the overall volume level.
2. DSP setting knob: by pressing or turning this knob to access the DSP setting. * Please refer to the 'DSP Setting Guide' for detail operation.

I. AC Input: This receptacle is for connecting the included IEC power cable. It is important to supply the proper AC line voltage to the unit. Do not connect to intermittent or faulty power.

J. Voltage selection: This switch is supplied for moving the unit from 115 voltage (US Standard) to 230 voltage (European Standard). The switch needs to be set on the proper voltage for your area.

K. Power Switch: To turn/off the speaker.

DSP Setting Guide

* Operating the 'MASTER' knob (**by turning to scroll and by pressing to confirm setting**) to set the DSP and the LCD display provides the status for the DSP setting.

1. MODE (Sound Programs): Press the MASTER knob twice to enter the speaker's MODE menu. 'MUSIC' will appear in the display.(Default setting.) Press MASTER knob to select this program, or turn the MASTER knob to scroll through the other options 'DJ', 'LIVE', 'SPEECH'. Press the MASTER knob to confirm selection.

2. LOCATION: Press the MASTER knob and turn the knob until 'LOCATION' appears. Press the knob again to edit this function. Select 'NORMAL' when the speaker is used as main speaker or select 'MONITOR' when the speaker is used as a floor monitor.

3. 3-BAND EQ: Press the MASTER knob once and turn to scroll through the 3-Band EQ menu: 'HIGH EQ' (treble), 'MID EQ' (mid range), 'LOW EQ' (bass). Press the MASTER knob again to enter the frequency menu and turn the MASTER knob clockwise to boost the frequency up to 12dB, or turn counterclockwise to reduce by up to 12 dB. Press the MASTER knob to confirm your settings.

4. SUB (Bass Boost): Press the MASTER knob once and turn the knob until 'SUB' appears in the display. Press the MASTER knob again to enter the speaker's Bass Boost menu. Turn the knob to select between OFF, 80, 100, 120 or 150 Hz, and press the MASTER knob again to confirm. Audio signal will be activated a boost (around 3dB raise) at the selected frequency.

5. Delay: Press the MASTER knob once and turn the knob until 'DELAY' appears, then press the knob again to access the edit menu. This function causes the signal to be delayed a small amount of time to allow the music to be played in time with speakers located in a distance.

6. LCD DIM / BRIGHT / CONTRAST: Edit these menus to adjust the LCD display when needed.

How can we help you?

CONTACT OUR US-BASED SUPPORT TEAM

Simple or complex, your questions are important to us. For service, support

or more information, please contact the Sound Town support team:

Email: support@soundtown.com