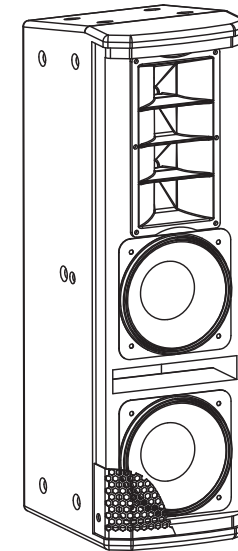




CARPO-K3PW

Powered Column Array Loudspeaker



Sound Town Inc.
Los Angeles, California, USA
www.soundtown.com

PRODUCT MANUAL

IMPORTANT SAFETY INSTRUCTIONS

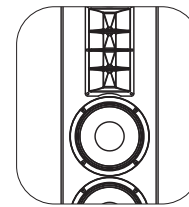
1. Read all safety and operating instructions before using this product.
2. All safety and operating instructions should be kept for future reference.
3. Read and understand all warnings listed on the operating instructions.
4. Follow all operating instructions to operate this product.
5. This product should not be used near water, i.e. Bathtub, sink, swimming pool, web basement etc.
6. Only use dry cloth to clean this product.
7. Do not block any ventilation openings, it should not be placed flat against a wall or placed in a built-in enclosure that will impede the flow of cooling air.
8. Do not install this product near any heat sources, such as, radiators, heat registers, stove or other apparatus (including heat producing amplifiers) that produce heat.
9. Do not defeat the safety purpose of the polarized or grounding-type plug. A polarized plug has two blades with one wider than the other. A grounding-type plug has two blades and a third grounding prong. The side blade or the third prong are provided for your safety if the provided plug does not fit into your outlet, consult an electrician for replacement of the obsolete outlet.
10. Protect the power cord being walked on or pinched particularly at Plugs, convenience receptacles and the point where they exit from the apparatus. Do not break the ground pin of the power supply cord.
11. Only use attachments specified by the manufacturer.
12. Use only the cart, stand, tripod, bracket, or table specified by the manufacturer or sold with the apparatus. When a cart is used use caution when moving cart/apparatus combination to avoid injury from tip-over.
13. Unplug this apparatus during lightning storms or when unused for long periods of time.
14. Care should be taken so that objects do not fall and liquids are not spilled into the unit through the ventilation ports or any other openings.
15. Refer all servicing to qualified service personnel. Servicing is required when the apparatus has been damaged in any way; such as, power-supply cord or plug is damaged, liquid has been spilled or objects have fallen into the apparatus, the apparatus has been exposed to rain or moisture, does not operate normally or has been dropped.
16. WARNING: To reduce the risk of fire or electric shock, do not expose this apparatus to rain or moisture.
17. When the MAINS plug, or an appliance coupler is used as the disconnect device, the disconnect device should remain readily operable.
18. Protective Ground Terminal: The apparatus shall be connected to an AC main socket with a protective earth ground connection.



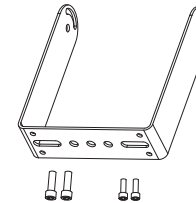
FEATURES

- The SOUND TOWN CARPO-K3PW powered column array speaker has a built-in Class-D amplifier.
- With 1/4"/XLR combo, 1/8" AUX and bluetooth input; XLR output for great flexibility and control.
- Equipped with Bluetooth 5.0, the True Wireless Stereo (TWS) function allows you to pair two speakers simultaneously for real stereo powerful sound.
- Included U-bracket and 10° adapter. Optional extension bracket and flying frame are available for hanging and integrating two or more columns together.

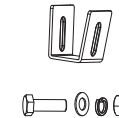
In the package



CARPO-K3PW Column
Array Loudspeaker x 1



U Bracket x 1
M8x25 Machine Screw x 2
M6x18 Machine Screw x 2

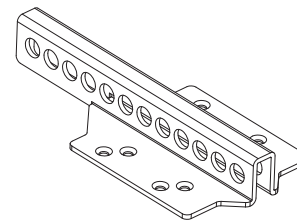


10° Adapter x 1
M10x30 Screw Bolt,
Flat Washer, Spring Washer
and Nut x 1

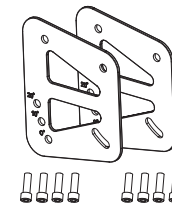


User Manual

Optional Accessories (Sold Separately)



CARPO-PFF
(Flying Frame)



CARPO-EP
(Extension Plate x 2)
(M8x25 Machine Screw x 8)

Installation

1. Standard Wall Mount

(With the U bracket included in the package)

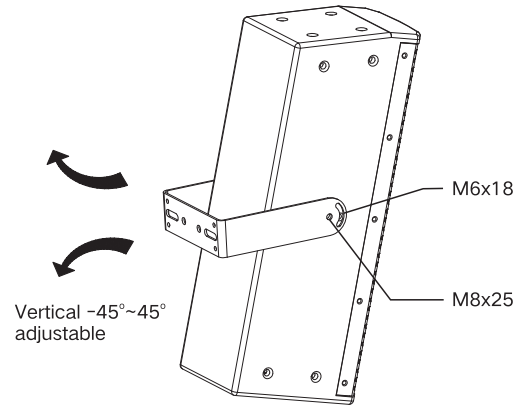


Fig. 1

STEP 1: Remove the M6 and M8 locating inserts from the cabinet as shown in Fig. 1

STEP 2: Align the U bracket with the screw holes and use the included M8x25 machine screws to fix it to both side on the cabinet

STEP 3: Insert the included M6x18 machine screws through the curved slots on the U bracket into the screw holes but do not tighten them.

STEP 4: Adjust the U bracket to your desired angle and then tighten the M6x18 screws on both side.

2. 10° Adapter

When the 10° adapter is added to the U-bracket, the column speaker can be wall mounted with a 10° deflection to the left or right, or adding 10° of downward deflection.

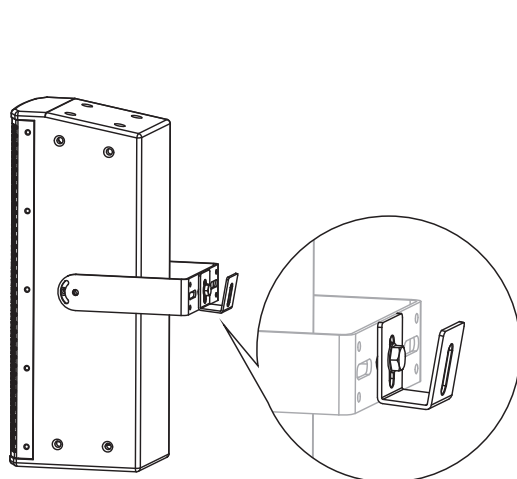
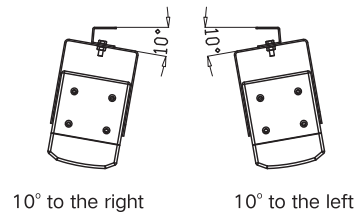
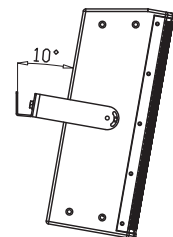


Fig. 2



10° to the right

10° to the left



Adding 10° downward

3. Extension

Optional extension plate **CARPO-EP** available separately.

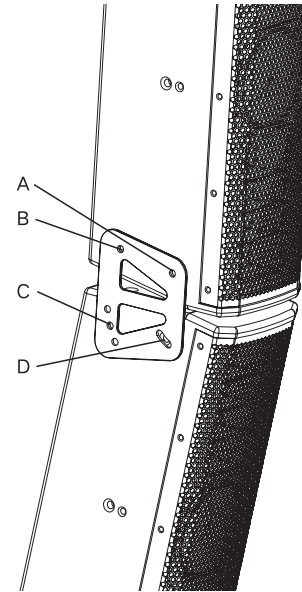


Fig. 3

STEP 1: Remove all the M8 locating inserts (A,B,C&D) from the both upper and lower cabinet as shown in Fig. 3

STEP 2: Align the extension plate with the screw holes on the upper cabinet (point A&B) and use the included M8x25 machine screws to fix it to cabinet

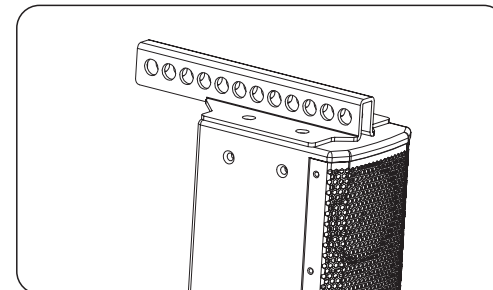
STEP 3: Insert another M8x25 machine screw through the curved slots on the extension plate into the screw hole (point D) but do not tighten it

STEP 4: Determine the angle between the two cabinets, (0°, 10° and 20° on choice), adjust the lower cabinet until the point C lines up with the hole marked with the correct angle you choosed. Then fix it with a M8x25 screws

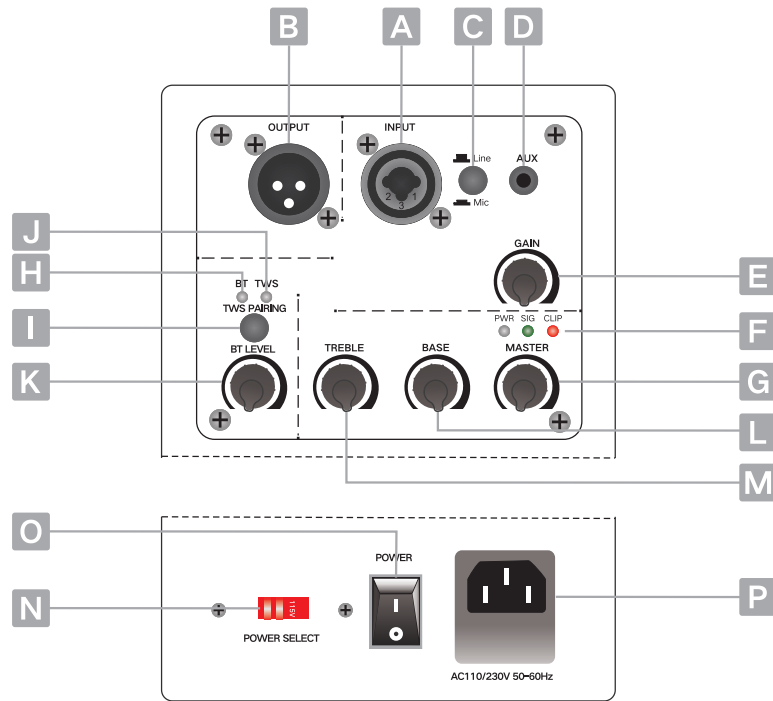
STEP 5: Tighten the screw on point D

4. Flying Frame

Optional flying frame **CARPO-PFF** available separately.



Rear Panel Instruction



A. COMBO INPUT: One balanced 1/4"/XLR combo jack is provided for connection of input audio sources.

B. XLR OUTPUT: One balanced XLR is provided to send full-range passthrough output.

C. LINE/MIC SWITCH: Selector for line level or mic. level input signal.

D. AUX INPUT: 1/8" (3.5mm) connection for auxiliary devices such as Mp3 players, computers and other line-level stereo sources.

E. GAIN: Level control of the input signals from 'A' and 'D'.

F. STATUS LED: The 'POWER' LED will light up when the speaker is turned on. The 'SIGNAL' LED will flash when there is a signal input. The 'CLIP' LED will light up when the amplifier is near clipping, an occasional flickering is acceptable, if the 'CLIP' LED is lit continuously, adjust the level control and reduce the output level of connected sources. Failure to do so may lead to premature failure of your speaker.

G. MASTER: Overall volume control of the speaker.

H. BT LED: (Single speaker Bluetooth Pairing)

Turn on the power of the speaker, in the setting of your Bluetooth enabled devices, set it to 'discover' available devices. From the Bluetooth device list, select the '150D' device to pair, the BT indicator will blink during pairing and will be always on after successful pairing.

I. TWS PAIRING: (Two speakers Bluetooth Pairing)

The system support 'True Wireless Stereo' linking which allows you to connect the other speaker by Bluetooth. First make sure both speakers are switched on and one of them has successfully connected to Bluetooth, long press the 'TWS PAIRING' on this speaker to pair the other speaker until you hear the voice prompt, and then audio signal will automatically be divided into left and right channels respectively into the two speakers.

J. TWS LED: When both speaker have been successfully paired by TWS bluetooth, their TWS LED will be always on.

K. BT LEVEL: Use this knob to adjust the level of the Bluetooth signal.

L. BASS: Bass frequency boost / cut, control is "flat" in center position (no effect).

M. TREBLE: Treble frequency boost / cut, control is "flat" in center position (no effect).

N. Voltage selection: This switch is supplied for moving the unit from 115 voltage (US Standard) to 230 voltage (European Standard). The switch needs to be set on the proper voltage for your area.

O. Power Switch: To turn/off the speaker.

P. AC Input: This receptacle is for connecting the included IEC power cable. It is important to supply the proper AC line voltage to the unit. Do not connect to intermittent or faulty power.

How can we help you?

CONTACT OUR US-BASED SUPPORT TEAM

Simple or complex, your questions are important to us. For service, support or more information, please contact the Sound Town support team:

Email: support@soundtown.com