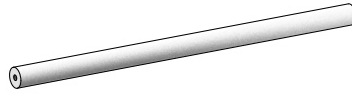


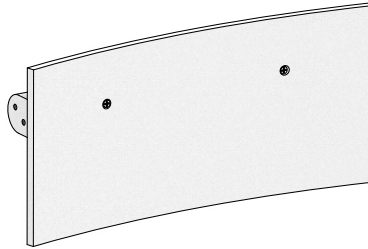
HANNUN

Assembly instructions

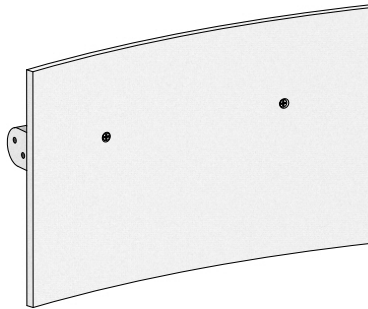
Geto chair



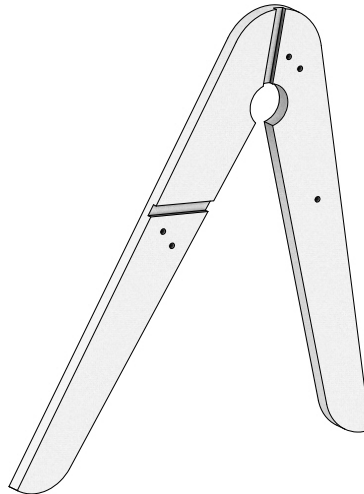
1x Round support



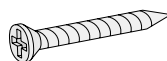
1x Back rest



1x Seat



2x Side section



10x Screws



Assembly Video

Scan the QR code to view detailed assembly video by designer Sebastian Peter Jørgensen.

