



SYG | SEAL
YOUR
GARAGE

Installation of an SYG Full Seal Kit for Garage Sectional Doors

SYG Fire retardant Brush Seal kits are constructed out of the finest Aluminium and PA6 rated bristles and designed to protect your garage from dust, pest and live ember ingress. Your home's first line of defence against contaminants, **SYG** kits are constructed without compromise to deliver the highest level of protection and comfort.

Our seals are attached to the interior side of the garage door on the sides and on the outside of the top (lintel) to complete the integrity of the door seal and protect your home against the elements.

Contents:

1. You will need
2. Safety Precautions
3. Installation process
4. Complete and test

1. You will need



Tape Measure



Work Gloves



Caulking Gun



File



Pencil



Side cutters



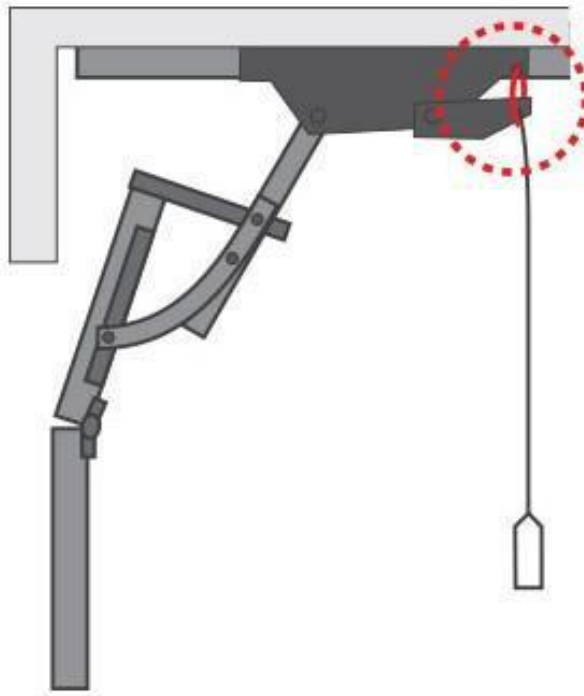
Stepladder



Hacksaw
(32TPI Blade)

2. Safety Precautions

- Remove all garage door remote controls and place in a secure area to avoid accidental activation during the installation process.
- Uncouple / Disengage the automatic garage door (if present)
- Wear safety glasses to prevent dust or any bristles or other particles from entering your eyes when working with the seal kits above the level of your eyes
- Wear work gloves especially when cutting the Aluminium lengths with the hacksaw as the cut lengths can be uneven and sharp until they have been filed smooth



Tip: Sectional garage doors are generally disengaged by pulling down on the cord / tab attached to the mechanism on the overhead guide rail.

3. Installation Process

- Using your tape measure, measure the height of the side walls of your garage door aperture



- Measure four of your Aluminium carrier lengths: a combination of two for each corresponding side of your garage door aperture and allow an extra 60-100mm of extra length of one of the carriers beyond the height of the door opening to which they are to be fitted, e.g. if the door opening is 2400mm, cut the Aluminium carrier's combined length and brush between 2460mm and 2500mm which will provide a nice overlap



- Slide the bristle strip along the inside of the carrier lengths out of the way
- Use the hacksaw to cut the Aluminium carriers
- Pull the bristle length out about 10cm and cut it off short and push the brush back down the carrier. Then, when you cut the second Aluminium carrier and brush, leave the brush on that length 10cm longer than the second carrier length and feed that extra length into the first carrier to leave a nice, seamless seal
- Slide the balance of the bristle strip back into place and using the side cutters, cut the brush to the same length as the Aluminium carrier
- Bend the metal backing of the bristle lengths slightly before you finally re-insert it fully into the carrier so that when you tug on the brush, it doesn't slide out of the Aluminium carrier
- Gently file the Aluminium carrier end until smooth

- Using the tape measure, measure the width across the top of your garage door aperture on the outside or inside – if measuring from the inside, this needs to be done with the door fully open.



- Measure the Aluminium carrier length/s (a normal single garage will require two lengths while a double garage will normally require 4 lengths)
- Use the hacksaw to cut the Aluminium carrier
- Pull the bristle length out about 10cm and cut it off short and push the brush back down the carrier. Then, when you cut the second Aluminium carrier and brush, leave the brush on that length 10cm longer than the second carrier length and feed that extra length into the first carrier to leave a nice, seamless seal
- Slide the bristle strip back into place and using the side cutters, cut the brush to the same length as the Aluminium
- Gently file the Aluminium smooth

Now that you have cut the Aluminium carriers and brush seals to the correct lengths, you are ready to begin installation of your kit.

- Since your garage door is disengaged, manually raise it up to the maximum open position
- Place your Aluminium lengths vertically along the walls, the bristles angled towards the inside of the garage so that when the door closes they will seat against the outside of the door
- Apply [Selleys Liquid Nails Instant Hold / Hold Up](#) or T Rex Power (supplied with kit) in a 5mm wide bead along the length of the centre rear of your pre-cut carriers and attach to the wall.



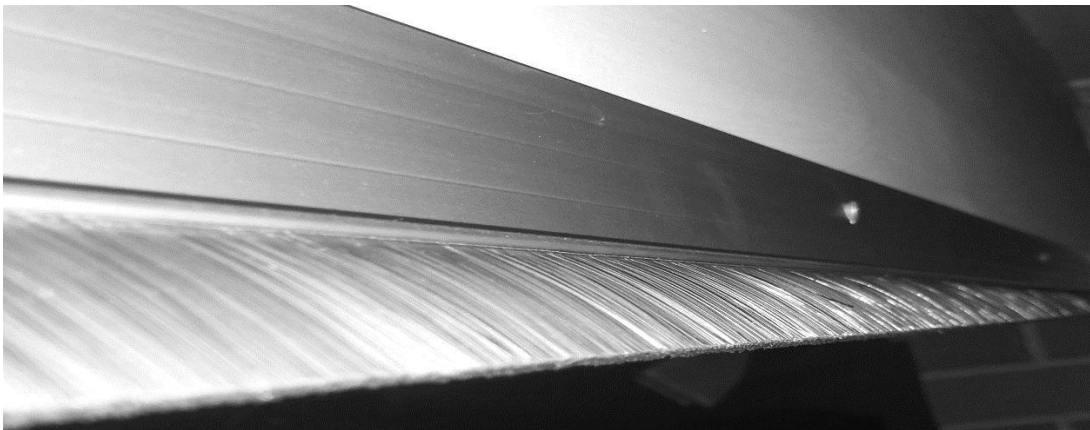
- Repeat on the other side of the door.



Now you are ready to fit the top seal. There are a number of options:

If you have a boxed / timber lintel:

- Place the edge of the Aluminium carrier alongside the edge of the inside top lintel 'wall' or box of the lintel with the brush bristles reaching downwards and inwards (as pic below). They will seal against the door as it lowers. (It makes life a lot easier if you have an assistant to help you hold the carrier in place using a small step ladder)

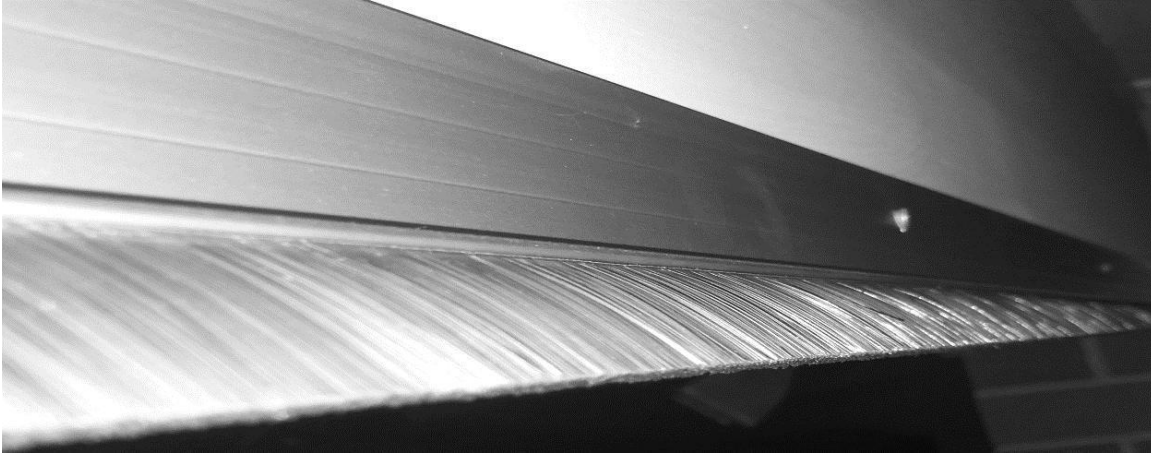


- Apply Selleys Liquid Nails **Instant Hold** / **Hold Up** or T Rex Power (supplied with kit) in a 5mm wide bead along the length of the centre rear of your pre-cut carriers and attach to the lintel.

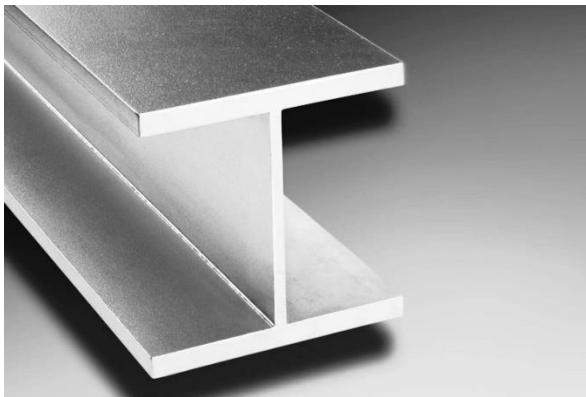


If you have a brick or concrete lintel:

- The edge of the Aluminium carrier is placed alongside the edge of the inside 'wall' or box of the lintel with the brush bristles reaching downwards and inwards and sealing against the door as it lowers. (It makes life a lot easier if you have an assistant to help you hold the carrier in place using a small step ladder)
- Apply **Selleys Liquid Nails Instant Hold** or **Hold Up** (supplied with kit) in a 5mm wide bead along the length of the centre rear of your pre-cut carriers and attach to the lintel.



If you have an I Beam lintel (unboxed):



- The easiest solution that we recommend in this case is to attach the carrier and brush to the top of the door itself - where the profile of the door allows. Mount so that the bristles face outwards from the face of the garage door towards the I Beam in the closed position. NOTE: If the top of your garage door has a square flat profile you can attach the carrier to the door, but if the top of your garage door has a rounded edge, you might have to mount the carrier to the I Beam itself: In this case, apply **Selleys Liquid Nails Instant Hold** / **Hold Up** or T Rex Power (supplied with kit) in a 5mm wide bead along the length of the **centre inside** of your pre-cut carriers and attach to the underside of the lintel with the bristles facing inwards and upwards.

4. Complete and test

While the garage door is still disengaged, raise and lower the door manually up and down to test and ensure that there is no resistance. Once you have established that the door is running freely, you can then reconnect the motor and test (with the remote handy) double checking all the way up and all the way down that there is no strain or resistance on the motor. **We recommend then not using the garage door for 2 hours after installation to allow the Selleys Liquid Nails Instant Hold / Hold Up or T Rex Power adhesive to set – it will be fully cured after 48 hours.**

And that's it! We'd love to see some pics of your handiwork on our Facebook page!

Thank you once again for your support of SYG!

Should you require any further information or assistance, please do not hesitate to contact us at info@sealyourgarage.com.au or hop onto our website www.sealyourgarage.com.au and drop us a message there.

May you and your loved ones enjoy many happy years of a cleaner, safer garage with the finest, highest performance garage door seals on the planet.

Selleys Liquid Nails Instant Hold / Hold UP Instructions for use



How to use the product

1. Ensure surfaces are clean and free from grease or loose particles
2. Use a high thrust caulking gun and the supplied V-notch nozzle to apply in vertical stripes. Ensure the V shape is angled upward when applying.
3. Position materials and press together firmly. Due to the high initial hold of the product support during curing is not necessary.
4. Holds instantly but must not be disturbed until cured (up to 48 hours).
5. Adjustable e.g. can be straightened for up to 15 minutes



SYG | SEAL
YOUR
GARAGE

Handy Tips

- Clean up with turps before the adhesive cures
- Safety Information
- KEEP OUT OF REACH OF CHILDREN.
- Avoid skin and eye contact and breathing vapours.
- Use in a well-ventilated area.
- Wash hands after use.
- If on skin: Wash with soap and water.
- Product releases methanol during cure. Refer to Safety Data Sheet.

Storage & re-use

- Cure product before disposal
- Store in a cool place.
- The adhesive should be used within 6 months after opening.
- If the adhesive is going to be used again within a few days, leave the nozzle on and merely extrude approximately 2cm of product before storing the cartridge upright. This will cure to a plug which can easily be pulled out when required.
- For longer storage periods, leave the nozzle on and place a piece of plasticine or Blu Tack over the end of the nozzle. Tightly tape a piece of aluminium foil over the whole nozzle to exclude any air.
- When you want to re-use the product, simply take off the foil and plug from the old nozzle pull out the excess adhesive from the nozzle with a corkscrew, then re-pierce any cure at the tip of the cartridge and re-use.
- If cure has taken place into the cartridge, the product is unlikely to be in a useable state and should be disposed of



SYG | SEAL
YOUR
GARAGE