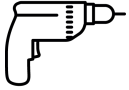


Floating Nightstand

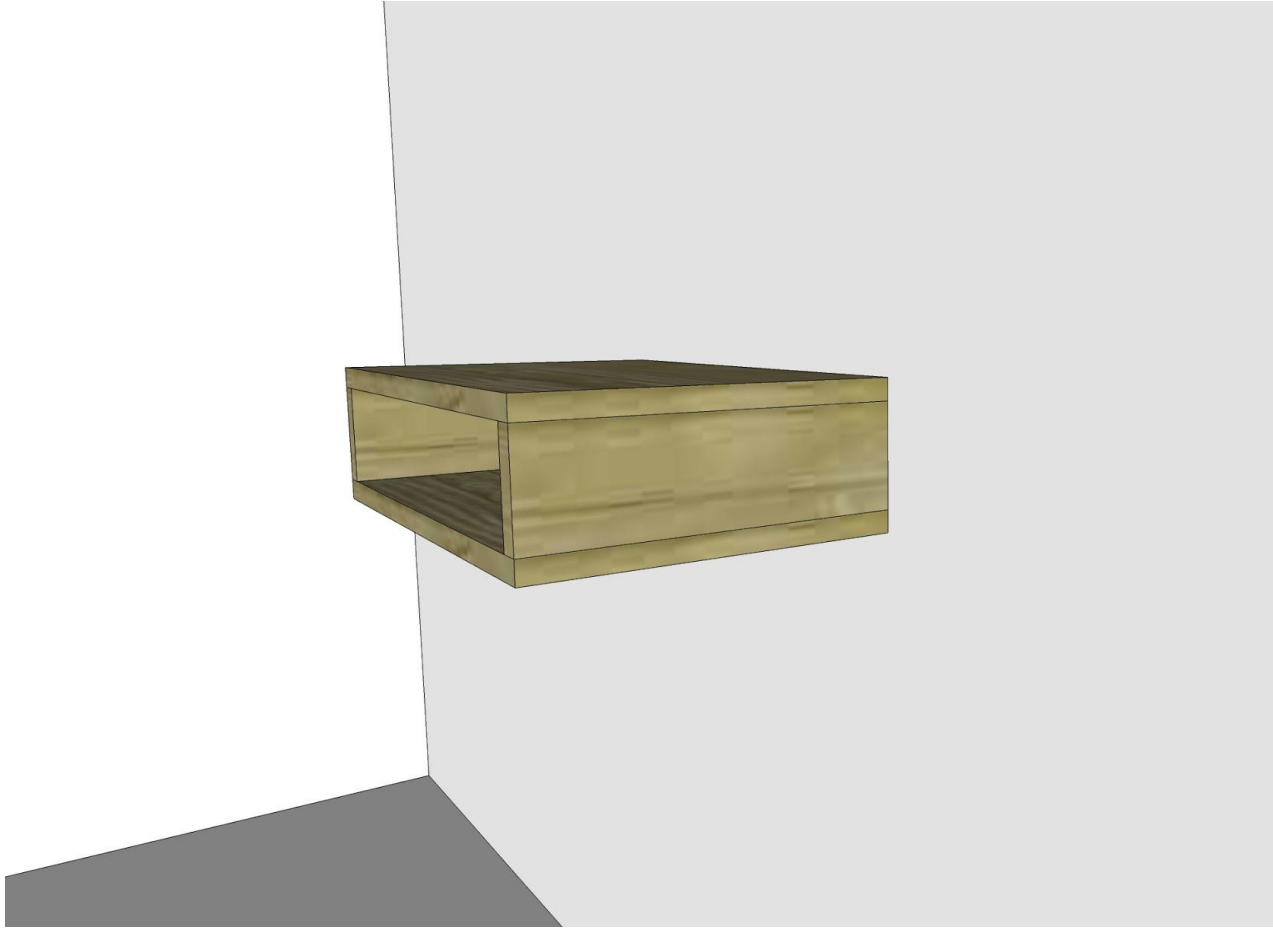
Instruction Manual

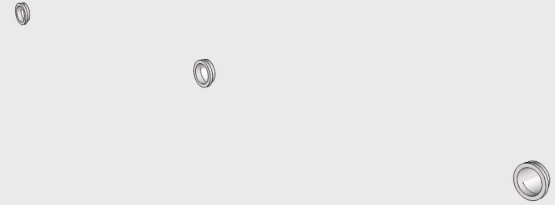
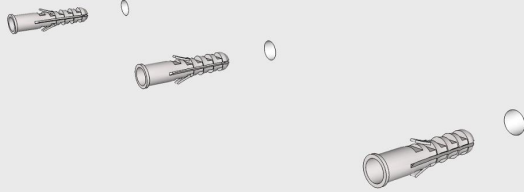
Tools We Recommend



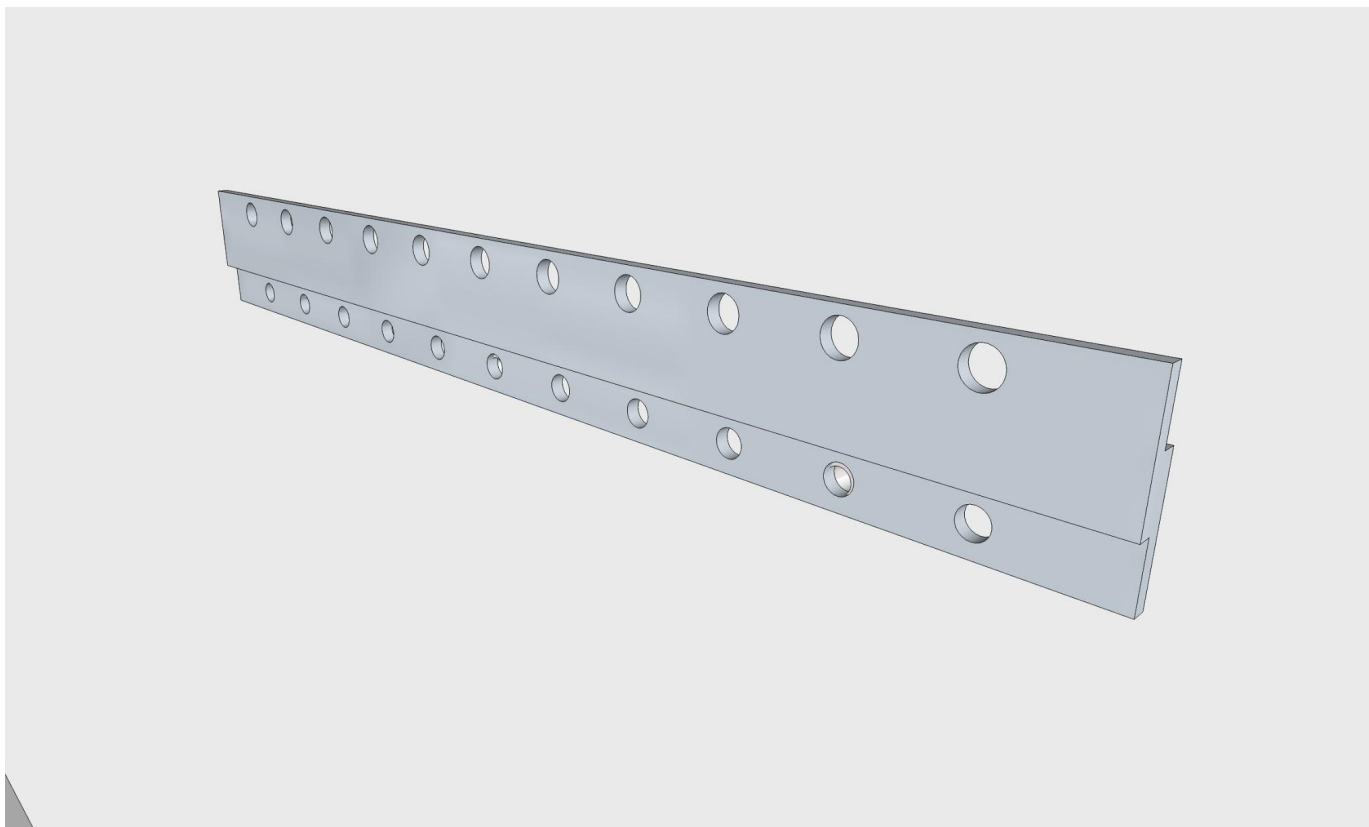
Power Drill with Phillips Head Driver Bit

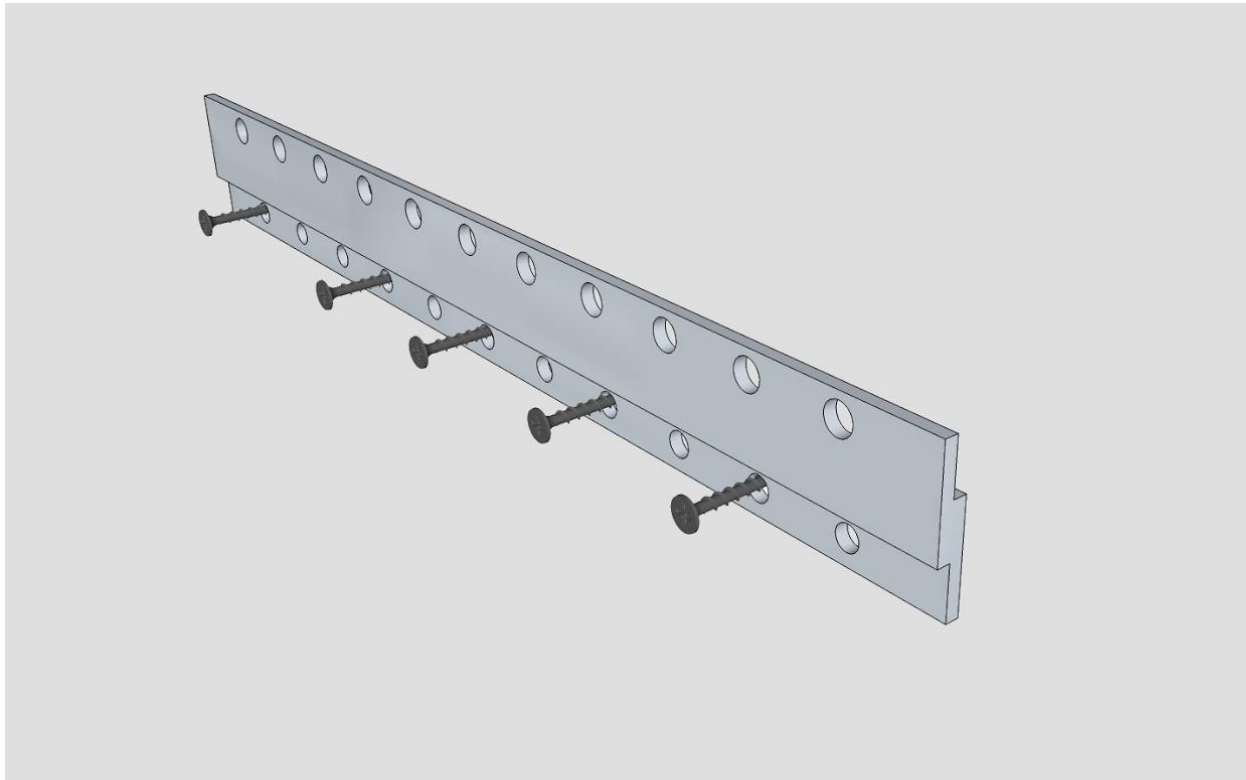
1/4" Drill bit





- Using a 1/4" drill bit, drill holes in the drywall for the anchors.
- Insert anchors





- Using provided screws, attach z-hanger to the drywall anchors.
- Find a wall stud and insert at least one wood screw into the stud

