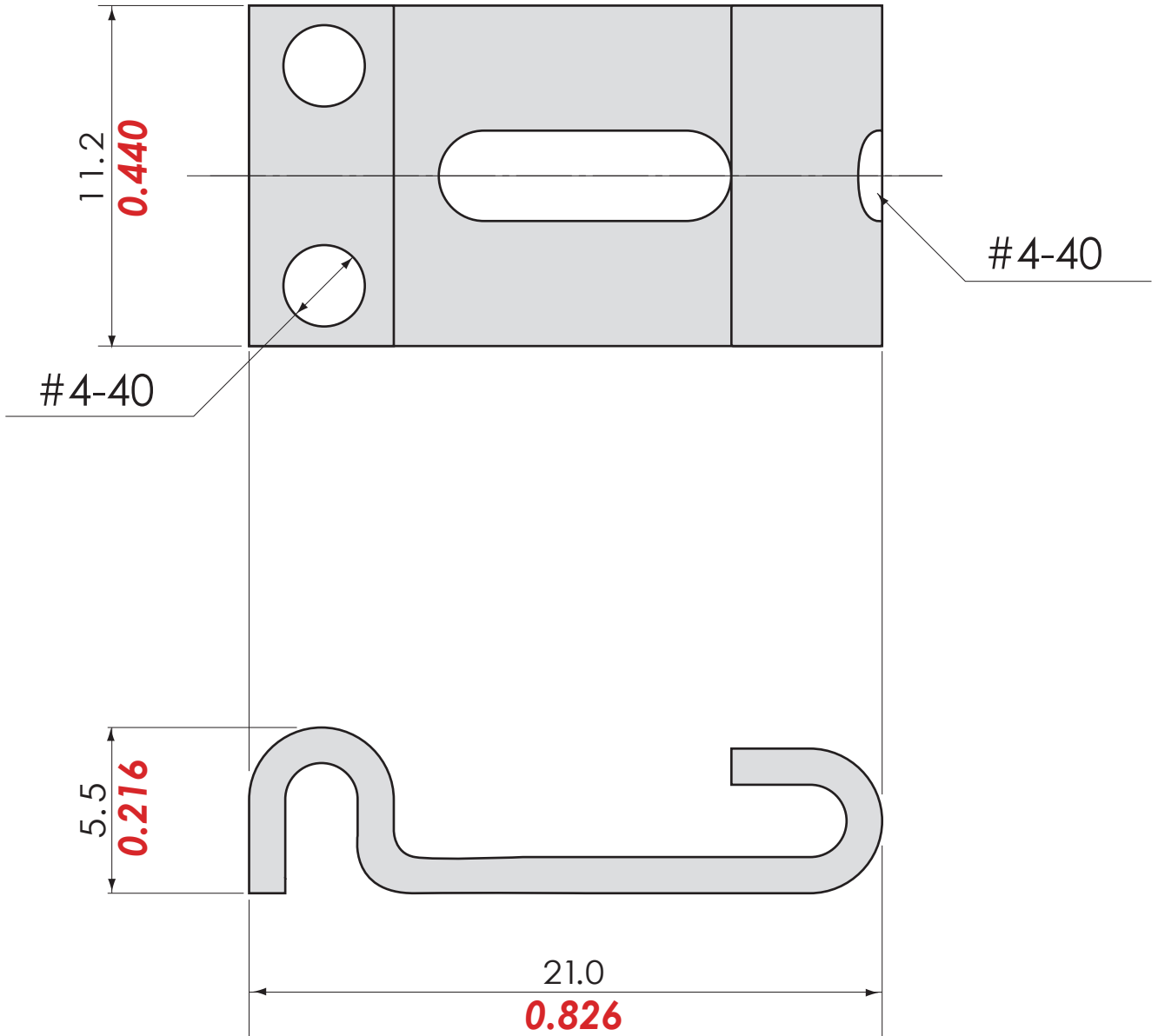


PR-11



mm
inch

E to E = 56 mm
2⁷/₃₂ inch