



TriStar® VS 950

»» Variable-Speed Pump
»» Pompe à vitesses variable

INDUSTRY-LEADING ENERGY EFFICIENCY
EFFICACITÉ ÉNERGÉTIQUE DE POINT



EXPERT LINE



ONLY FROM POOL PROS



3+ YEAR WARRANTIES



PARTS COVERAGE



Wall-mountable touchpad control can be rotated in four directions

Interface de commande qui peut être installée au mur ou placée



INDUSTRY-LEADING ENERGY-EFFICIENCY

TriStar VS 950 is the most energy-efficient residential pool pump on the market, according to EPA ENERGY STAR® third-party testing data.

La pompe TriStar VS 950 est la pompe pour piscine résidentielle la plus écoénergétique sur le marché selon les données de tests EPA ENERGY STAR® effectués par des tiers.



DESIGNED FOR DURABILITY

Built with a chemical-resistant Viton® seal and a 4-year extended warranty,

Construite avec un joint d'étanchéité en Viton résistant aux produits chimiques et une garantie prolongée de 4 ans.



SEAMLESS RETROFITTING

With two pump base options and 2" x 2½" CPVC union connections, TriStar VS 950 is easy to install in both new and existing pool pads.

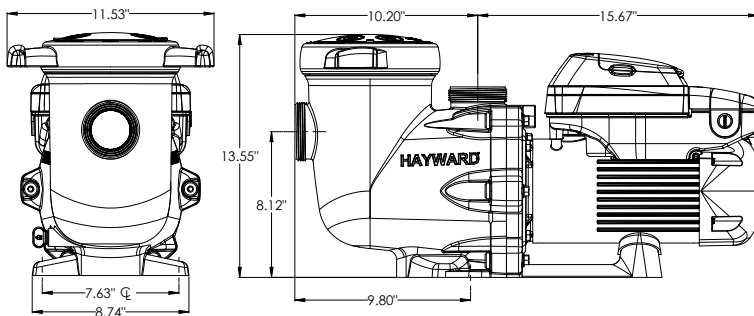
Avec deux options de base pour la pompe et des raccords union de 2 po x 2½ po en CPVC, la pompe TriStar VS 950 s'installe facilement sur une piscine neuve ou une piscine déjà en place.



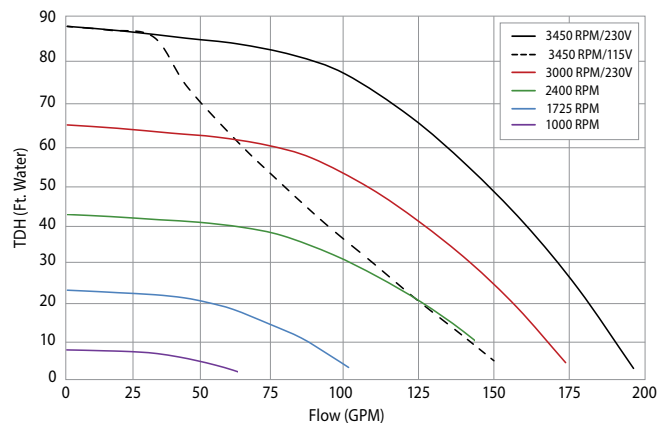
SPECIFICATIONS

MODEL NUMBER	STAND ALONE	RELAY CONTROL	HAYWARD® AUTOMATION	VOLTAGE	TOTAL HP	SPEED RANGE	UNION CONNECTIONS	EXTENDED WARRANTY
SP32950VSP	•	•	•	230/115V	2.7/1.5	600-3450 RPM	2" x 2.5"	4 years

TRISTAR VS 950 DIMENSIONS (INCHES)



TRISTAR VS 950 PERFORMANCE COMPARISON



* Compared to single-speed pumps.

» haywardpool.ca » 1-888-238-7665

TriStar VS 950 pumps are listed by:



Pumps » Filters » Heating » Cleaners » Sanitization » Automation » Lighting » Water Features » White Goods

Hayward and TriStar are registered trademarks of Hayward Canada and Hayward Industries, Inc. © 2020 Hayward Industries, Inc. ENERGY STAR is a registered mark owned by the U.S. government. All other trademarks not owned by Hayward are the property of their respective owners. Hayward is not in any way affiliated with or endorsed by those third parties.

LITTSVS95020C

