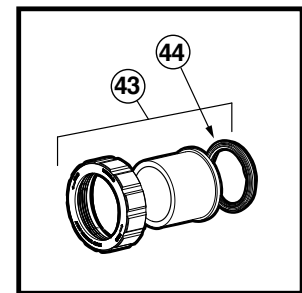
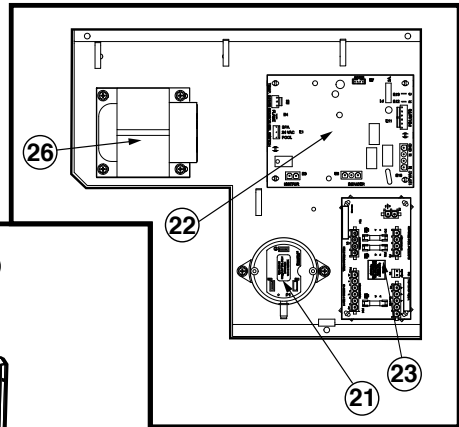
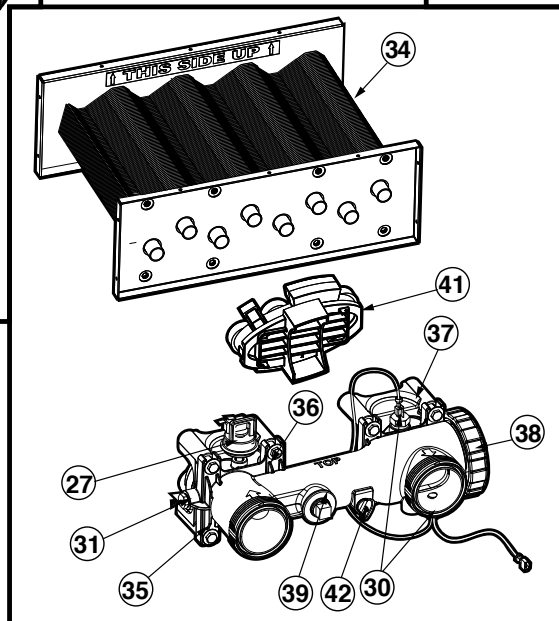
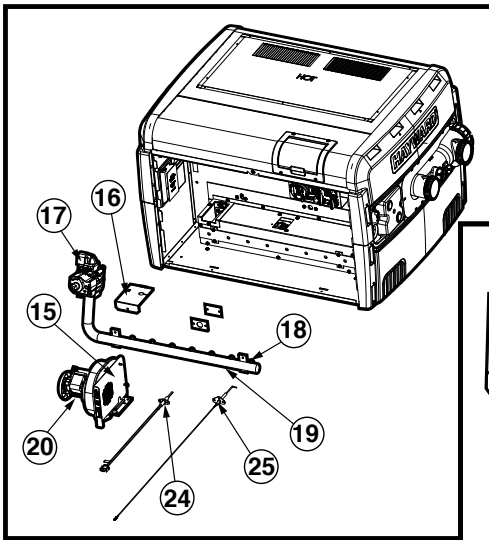
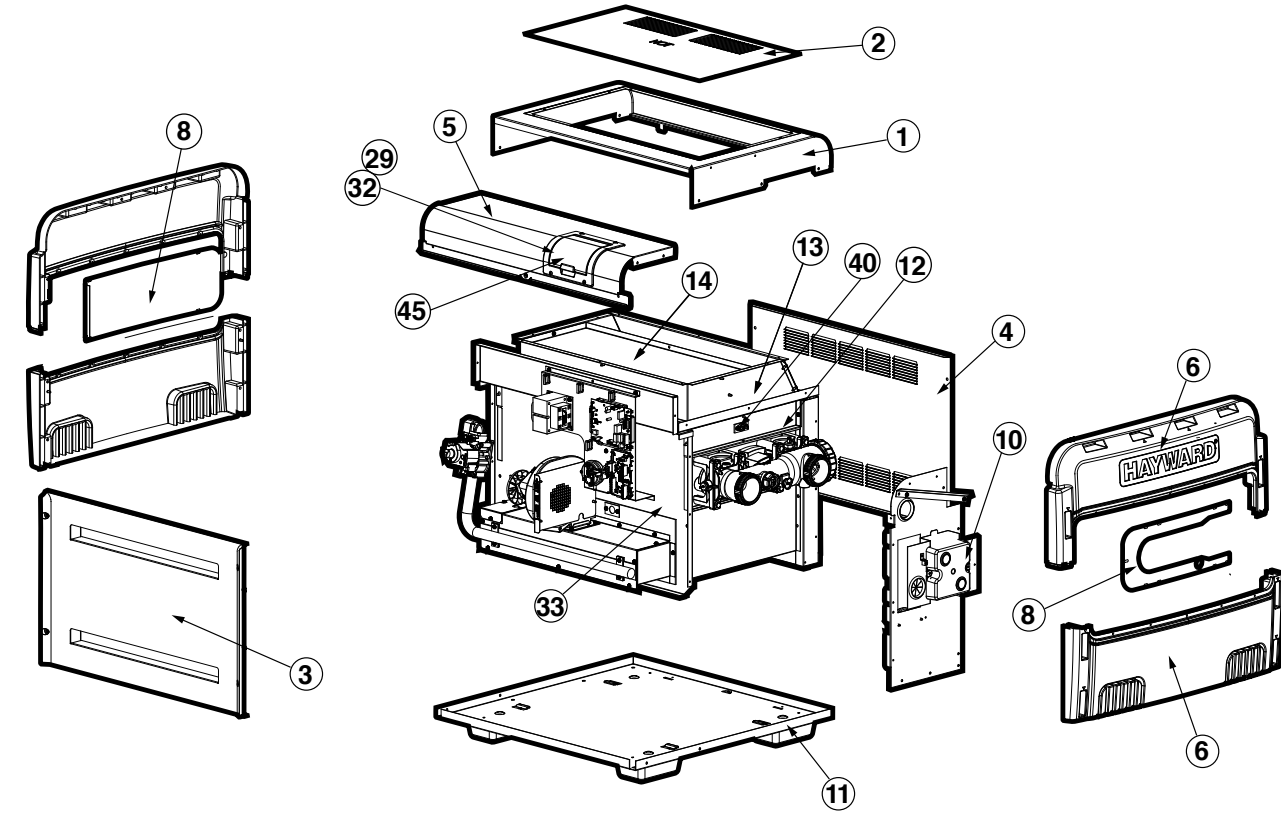


Universal H-Series Low NOx

REPLACEMENT PARTS

Parts Diagram: H150FD, H200FD, H250FD, H300FD, H350FD, H400FD, H500FD

Heating



Universal H-Series Low NOx

REPLACEMENT PARTS

Parts Listing: H150FD, H200FD, H250FD, H300FD, H350FD, H400FD, H500FD

Ref. No.	Part No.	Description	Ref. No.	Part No.	Description	Ref. No.	Part No.	Description
1	FDXLJKT1151	Jacket Top and Flue Cover – H150FD	15	FDXLBNN1350	Blower Inlet Baffle – H350FD	—	FDXLBNN1331	Burner (Qty. 1)
1	FDXLJKT1201	Jacket Top and Flue Cover – H200FD	15	FDXLBNN1400	Blower Inlet Baffle – H400FD	—	FDXLBNN1330	Burner (Qty. 8)
1	FDXLJKT1251	Jacket Top and Flue Cover – H250FD1	15	FDXLBNN1500	Blower Inlet Baffle – H500FD	—	FDXLDV1930A	Drain Valve, ASME
1	FDXLJKT1251A	Jacket Top, Gray, ASME – H250FD	16	FDXLIAC1930	Ignitor Access Cover	—	FDXLFSK1930	Fuse Service Kit – FD
1	FDXLJKT1301	Jacket Top and Flue Cover – H300FD	17	FDXLSV0001	Gas Valve Natural Gas – FD	—	FDXLFSKC30	Fuse Kit, 3.0A, for Integrated Control Board (Qty. 10)
1	FDXLJKT1351	Jacket Top and Flue Cover – H350FD	17	FDXLSV0002	Gas Valve Propane Gas – FD	—	FDXLFSKF15	Fuse Kit, 1.5A, for Field Wiring Panel (Qty. 10)
1	FDXLJKT1401	Jacket Top and Flue Cover – H400FD	17	FDXLSV1500N	Gas Valve Natural Gas – H500FD Only	—	FDXLFSKF25	Fuse Kit, 2.5A, for Field Wiring Panel (Qty. 10)
1	FDXLJKT1401A	Jacket Top, Gray, ASME – H400FD	17	FDXLSV1500P	Gas Valve Propane Only – H500FD Only	—	FDXLFSKF30	Fuse Kit, 3.0A, for Field Wiring Panel (Qty. 10)
1	FDXLJKT1501	Jacket Top and Flue Cover – H500FD	18	FDXLBON1930	Burner Orifice Kit Natural Gas – FD	—	FDXLGSK1930	Gasket Kit – Air Side (all models) includes: Gasket, Blower Mounting Gasket, Ignitor Cover
1	FDXLJKT1501A	Jacket Top, Gray, ASME – H500FD	18	FDXLBOP1930	Burner Orifice Kit Propane Gas – FD	—	—	—
2	FDXLTFC1150	Top/Flue Cover – H150FD	18	FDXLBOP1500	Burner Orifice Kit Natural Gas – H500FD Only	—	—	—
2	FDXLTFC1200	Top/Flue Cover – H200FD	18	FDXLBOP1500	Burner Orifice Kit Propane Gas – H500FD Only	—	—	—
2	FDXLTFC1250	Top/Flue Cover – H250FD	19	FDXLGCK1150NP	Conversion Kit, NA to LP, H150FD	—	—	—
2	FDXLTFC1250A	Top/Flue Cover, Gray, ASME – H250FD	19	FDXLGCK1150PN	Conversion Kit, LP to NA, H150FD	—	—	—
2	FDXLTFC1300	Top/Flue Cover – H300FD	19	FDXLGCK1200NP	Conversion Kit, NA to LP, H200FD	—	—	—
2	FDXLTFC1350	Top/Flue Cover – H350FD	19	FDXLGCK1200PN	Conversion Kit, LP to NA, H200FD	—	FDXLGSK1931	Gasket Kit – Exhaust Side (all models) includes: Gasket, Flue Collector Side Gasket, Rain Guard Side
2	FDXLTFC1400	Top/Flue Cover – H400FD	19	FDXLGCK1250NP	Conversion Kit, NA to LP, H250FD	—	—	—
2	FDXLTFC1400A	Top/Flue Cover, Gray, ASME – H400FD	19	FDXLGCK1250PN	Conversion Kit, LP to NA, H250FD	—	—	—
2	FDXLTFC1500	Top/Flue Cover – H500FD	19	FDXLGCK1300NP	Conversion Kit, NA to LP, H300FD	—	—	—
2	FDXLTFC1500A	Top/Flue Cover, Gray, ASME – H500FD	19	FDXLGCK1300PN	Conversion Kit, LP to NA, H300FD	—	—	—
3	FDXLFAD1400A†	Front Door Assembly, Gray, ASME – H400FD	19	FDXLGCK1350NP	Conversion Kit, LP to NA, H350FD	—	—	—
3	FDXLFAD1151‡	Front Access Door Assembly – H150FD	19	FDXLGCK1350PN	Conversion Kit, LP to NA, H350FD	—	—	—
3	FDXLFAD1201‡	Front Access Door Assembly – H200FD	19	FDXLGCK1400NP	Conversion Kit, NA to LP, H400FD	—	—	—
3	FDXLFAD1251‡	Front Access Door Assembly – H250FD	19	FDXLGCK1400PN	Conversion Kit, LP to NA, H400FD	—	FDXLGSK1933	Gasket, Rain Guard Bottom Front and Rear
3	FDXLFAD1251A‡	Front Access Door Assembly, Gray, ASME – H250FD	19	FDXLGCK1500NP	Conversion Kit, NA to LP, H500FD	—	FDXLHAK1930	Insulation, Return Side Tube Sheet – FD Conversion Kit, H150FD-H400FD High-Altitude, 2,000-10,100 ft.
3	FDXLFAD1301‡	Front Access Door Assembly – H300FD	19	FDXLGCK1500PN	Conversion Kit, LP to NA, H500FD	—	—	—
3	FDXLFAD1351‡	Front Access Door Assembly – H350FD	20	FDXLBWR1930	Combustion Blower – FD	—	FDXLTDK1930	Tie-Down Kit – FD
3	FDXLFAD1401‡	Front Access Door Assembly – H400FD	20	FDXLBWR1500	Combustion Blower – H500FD Only	—	FDXLUNK1930A	ASME Union Flange Kit (includes Flange Fittings, Bolts, Gaskets)
3	FDXLFAD1401A‡	Front Access Door Assembly, Gray, ASME – H400FD	21	FDXLBVS1930	Blower Vacuum Switch	—	—	—
3	FDXLFAD1500	Front Access Door Assembly – H500FD	22	FDXLCB1930	Integrated Control Board – FD	—	FDXLVPS1930	Vent Pressure Switch, Indoor, 0–2,000 ft
3	FDXLFAD1500A	Front Access Door Assembly, Gray, ASME – H500FD	23	FDXLFWP1930	Field Wiring Panel – FD	—	FDXLVPS1931	Vent Pressure Switch, Indoor, 2,000–10,100 ft
4	FDXLRAD1150	Rear Access Door Assembly – H150FD	24	FDXLIGN1930	Ignitor – FD	—	—	—
4	FDXLRAD1200	Rear Access Door Assembly – H200FD	25	IDXFLS1930	Flame Sensor	—	FDXLVSJ1930	Voltage Selector Jumpers
4	FDXLRAD1250	Rear Access Door Assembly – H250FD	26	IDXLTRF1930	Transformer	—	FDXLWHA0001	Wiring Harness Kit Complete – FD
4	FDXLRAD1300	Rear Access Door Assembly – H300FD	27	FDXLWPS1930	Water Pressure Switch (pre 2020)	—	FDXLWHA1930*	Wiring Harness Kit Complete – FD
4	FDXLRAD1350	Rear Access Door Assembly – H350FD	27	FDXLWPS1931	Water Pressure Switch	—	IDXLTMB1931	Terminal Block – Remote Connection
4	FDXLRAD1400	Rear Access Door Assembly – H400FD	29	FDXLBKP1930	Bezel and Keypad Assembly, Taupe	—	UHXTPP1930	Water Flow Switch and Temp/Press Gauge Kit
4	FDXLRAD1500	Rear Access Door Assembly – H500FD	29	FDXLBKP1932	Bezel and Keypad Assembly, Blue (with Door)	—	—	—
5	FDXLTFF1151†	Top and Front Panel – H150FD	30	FDXHLH1930	High Limit Kit	—	UHXFSW1930	Water Flow Switch Kit
5	FDXLTFF1201†	Top and Front Panel – H200FD	31	FDXLTER1930	Thermistor (pre 2020)	—	CHXRLV1930	Pressure Relief Valve
5	FDXLTFF1251†	Top and Front Panel – H250FD	31	FDXLTER1931	Thermistor	—	UHXLOK1930	Control Bezel Lock-Out Kit (old)
5	FDXLTFF1301†	Top and Front Panel – H300FD	32	FDXLGSK1932	Gasket, Bezel/Top – FD	—	UHXLOK1931	Control Bezel Lock-Out Kit (New)
5	FDXLTFF1351†	Top and Front Panel – H350FD	33	FDXLGSK1934	Gasket, CC Front/Air Box – FD All Models	—	UHXNEGVT11506	Indoor Vent Adapter Kit, H150FD, Negative-Pressure (Vertical)
5	FDXLTFF1500	Top and Front Panel – H500FD	34	FDXLHXA1150	Heat Exchanger Assembly – H150FD	—	UHXNEGVT12006	Indoor Vent Adapter Kit, H200FD, Negative-Pressure (Vertical)
5	FDXLTFF1500A	Top Front Panel, Gray, ASME – H500FD	34	FDXLHXA1200	Heat Exchanger Assembly – H200FD	—	—	—
6	FDXLBEC1930	End Cap Kit	34	FDXLHXA1250	Heat Exchanger Assembly – H250FD	—	UHXNEGVT13008	Indoor Vent Adapter Kit, H300FD, Negative-Pressure (Vertical)
6	FDXLUFC1930	Upper End Cap – FD	34	FDXLHXA1300	Heat Exchanger Assembly – H300FD	—	UHXNEGVT13508	Indoor Vent Adapter Kit, H350FD, Negative-Pressure (Vertical)
8	FDXLBTP1930	Trim Panel Kit	34	FDXLHXA1350	Heat Exchanger Assembly – H350FD	—	UHXNEGVT14008	Indoor Vent Adapter Kit, H400FD, Negative-Pressure (Vertical)
8	FDXLLTP1930	Left Trim Panel Kit	34	FDXLHXA1400	Heat Exchanger Assembly – H400FD	—	UHXNEGVT15008	Indoor Vent Adapter Kit, H500FD, Negative-Pressure (Vertical)
10	FDXLPJC1930**	Polymer Junction Box Cover, Left and Right	34	FDXLHXA1400A	Heat Exchanger Assembly, ASME – H400FD	—	—	—
11	FDXLPBL1930	Base Leg – FD (4)	34	FDXLHXA1500	Heat Exchanger Assembly – H500FD	—	UHXNEGVT15006	Indoor Vent Adapter Kit, H150FD, Positive-Pressure (Horizontal)
12	FDXLFC1931	Flue Collector Side Panel with High Limit	34	FDXLHXA1500A	Heat Exchanger Assembly, ASME – H500FD	—	UHXPOSHZ11506	Indoor Vent Adapter Kit, H150FD, Positive-Pressure (Horizontal)
13	FDXLRGK1151	Rain Guard Assembly – H150FD	34	FDXLHXA1500A	Heat Exchanger Assembly, ASME – H500FD	—	UHXPOSHZ12006	Indoor Vent Adapter Kit, H200FD, Positive-Pressure (Horizontal)
13	FDXLRGK1201	Rain Guard Assembly – H200FD	35	FDXLHFA1930	Header Assembly	—	—	—
13	FDXLRGK1251	Rain Guard Assembly – H250FD	36	FDXLHFW1930	Header Hardware Kit	—	—	—
13	FDXLRGK1301	Rain Guard Assembly – H300FD	37	FDXLHMB1930	Header Mounting Base Kit	—	—	—
13	FDXLRGK1351	Rain Guard Assembly – H350FD	38	FDXLBPK1930	Bypass Cartridge Kit	—	—	—
13	FDXLRGK1401	Rain Guard Assembly – H400FD	39	CHXPLG1930	3/4" NPT Brass Plug and Plastic Plug	—	—	—
13	FDXLRGK1500	Rain Guard Assembly – H500FD	40	FDXLEGL1930	Exhaust Gas Temp Limit	—	—	—
14	FDXLHBP1150	Heat Barrier Panel – H150FD	41	FDXLPRM1930	Return Manifold Replacement Kit	—	—	—
14	FDXLHBP1200	Heat Barrier Panel – H200FD	42	SPX4000FG	Drain Plug with Gasket	—	—	—
14	FDXLHBP1250	Heat Barrier Panel – H250FD	43	SPX3200UNKIT	Union Kit	—	—	—
14	UHXWJAK	Adapter Kit – Jandy Adapter (Qty. 1)	44	SPX3200UG	Union Gasket (Pack of 2)	—	—	—
14	UHXWPAK	Adapter Kit – Pentair Adapter (Qty. 1)	45	FDXLKPC1930	Kit Keypad Cover	—	—	—
14	FDXLHBP1300	Heat Barrier Panel – H300FD	—	FDXLBPC1150	Kit-Bezel Control Panel 150 (old to new)	—	—	—
14	FDXLHBP1350	Heat Barrier Panel – H350FD	—	FDXLBPC1200	Kit-Bezel Control Panel 200 (old to new)	—	—	—
14	FDXLHBP1400	Heat Barrier Panel – H400FD	—	FDXLBPC1250	Kit-Bezel Control Panel 250 (old to new)	—	—	—
14	FDXLHBP1500	Heat Barrier Panel – H500FD	—	FDXLBPC1300	Kit-Bezel Control Panel 300 (old to new)	—	—	—
15	FDXLBNN1150	Blower Inlet Baffle – H150FD	—	FDXLBPC1350	Kit-Bezel Control Panel 350 (old to new)	—	—	—
15	FDXLBNN1200	Blower Inlet Baffle – H200FD	—	FDXLBPC1400	Kit-Bezel Control Panel 400 (old to new)	—	—	—
15	FDXLBNN1250	Blower Inlet Baffle – H250FD	—	FDXLBPC1500	Kit-Bezel Control Panel 500 (old to new)	—	—	—
15	FDXLBNN1300	Blower Inlet Baffle – H300FD	—	—	—	—	—	—

NOT SHOWN:

NOTES: *Used only on Heaters made after 9/9/08, serial #21130809100177001.

**Used only on models after 10/14, serial #21131410102839001.

‡Used only on heaters made after 7/13, serial #21131307100333001.

†Used only on heaters made 11/20/14, serial #21131411103613001.

‡Used only on heaters made after 11/20/14, serial #21131411103613001.