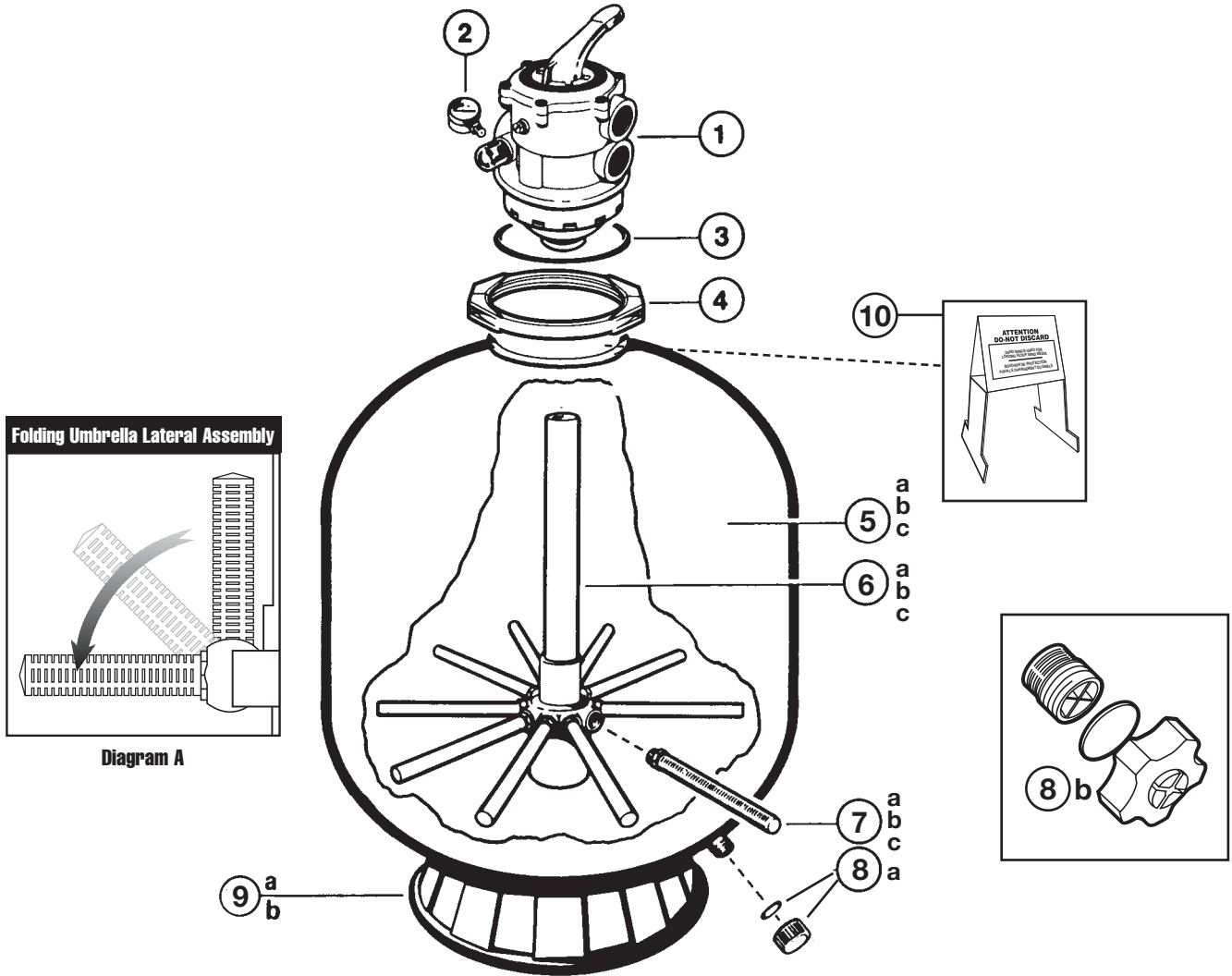


# ProSeries™

## S270T2, S310T2, S360T2 SAND FILTER SERIES REPLACEMENT PARTS

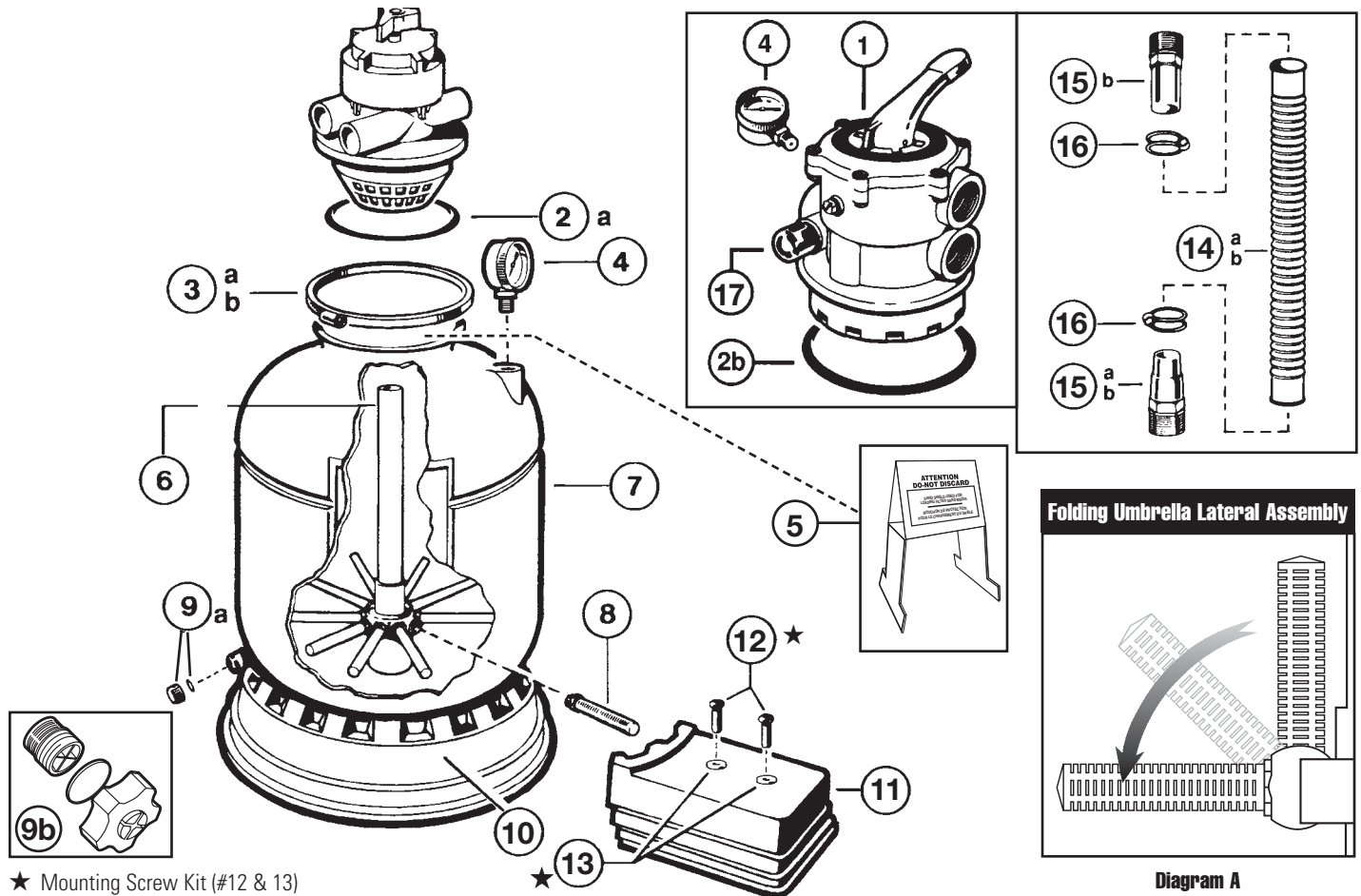
### Parts Diagram and Parts Listing

Filters



Ref. No.	Part No.	Description	Ctn. Qty.	No. Req'd
1	SP071621	Vari-Flo Control Valve – 2"	1	1
2	ECX271261	Pressure Gauge Back Mount	20	1
3	GMX600F	Tank O-Ring	100	1
4	GMX600NM	Flange Clamp	20	1
5a	SX270AA1	Filter Tank With Skirt, Drain and Lateral Assembly (S270T)	1	1
5b	SX310AA1	Filter Tank With Skirt, Drain and Lateral Assembly (S310T)	1	1
5c	SX360AA2	Filter Tank With Skirt, Drain and Lateral Assembly (S360T)	1	1
6a	SX270DA2X	Folding Lateral Assembly with Center Pipe (S270T2)	1	1
6b	SX310DA2	Folding Lateral Assembly with Center Pipe (S310T)	1	1
6c	SX360DA	Folding Lateral Assembly with Center Pipe (S360T)	1	1
7a	SX240DNPAK10	S270T Pivot/Ball Lateral (Set of 10)	10	1
7b	SX310HAPAK10	S310T & S360T Threaded Lateral (Set of 10)	10	1
7c	SX310HNPAK10	S310T & S360T Pivot/Ball Lateral (Set of 10)	10	1
8a	SX180HG	Drain Cap (2005 and Prior)	25	1
8b	SX180LA	Drain Cap Kit (see Diagram)	25	1
—	SX200H	Bottom Drain Screen (2005 and Prior)	10	1
9a	SX200J	Filter Support Stand (S270T)	1	1
9b	SX310J	Filter Support Stand (S310T, S360T)	1	1
10	SX202S	Sand Shield	25	1

### Parts Diagram and Parts Listing



★ Mounting Screw Kit (#12 & 13)

Ref. No.	Part No.	Description	Ctn. Qty.	No. Req'd
1	SP0714T*	Vari-Flo Control Valve 7-position (S144T)	1	1
2a	GMX400F	Valve/Tank O-Ring (S140T)	10	1
2b	GMX600F	Valve/Tank O-Ring (S144T)	100	1
3a	GMX400K	Flange Clamp – Valve – Tank (S140T)	20	1
3b	GMX600NM	Flange Clamp – Valve – Tank (S144T)	20	1
4	ECX270861	Pressure Gauge	50	1
5	SX202S	Sand Shield – 2004 Corrugated Design	25	1
6	SX144DA	Folding Lateral Assembly with Center Pipe (S144T) (1997 and after)	1	1
7	SX144AA1	Filter Tank with Skirt, Lateral Assembly, Drain (S144T)	1	1
8	SX200SNPAK10	Pivot/Ball Lateral (Set of 10)	10	1
9a	SX180HG	Drain Cap Kit (2005 and Prior)	25	1
9b	SX180LA	Drain Cap Assembly, Gasket, Screen	25	1
—	SX200H	Bottom Drain Screen (2005 and prior)	10	1
10	SX164B	Filter Support Stand (Skirt)	1	1
11	SX164C	Pump Base	2	1
12	ECX1108A	5/16" x 3/4" Mounting Screw and 5/16" Washer (2) Kit	10	1
13	ECX1109	5/16" Washer	10	2
★	ECX1108A	5/16" x 3/4" Mounting Screws (2) and 5/16" Washers (2) Kit (Includes 12 & 13)	10	1
14a	GMX142Z15	1 1/4" Hose – Ribbed (S140T)	—	1
14b	SX144Z1	1 1/2" Hose – Ribbed (S144T)	5	1
15a	SPX1091Z7PAK2	1 1/2" x 1 1/4" Hose Adapter (Set of 2)	25	1
15b	SPX1091Z4	1 1/2" Straight Hose Adapter (S144T)	25	2
16	SPX1091Z6	Hose Clamp	50	2
17	SPX0710MA	Sight Glass for SP0714T Valve	50	1

**NOTE:** \*SP0714T Vari-Flo Control Valve used as replacement for GM600 Valve.

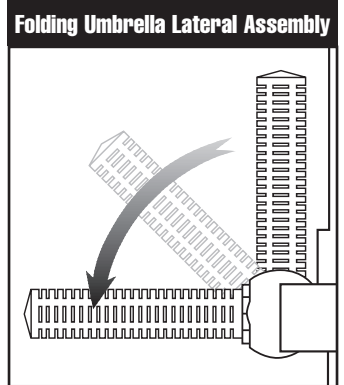


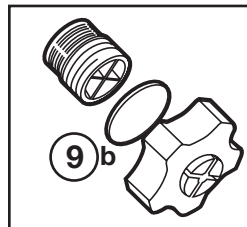
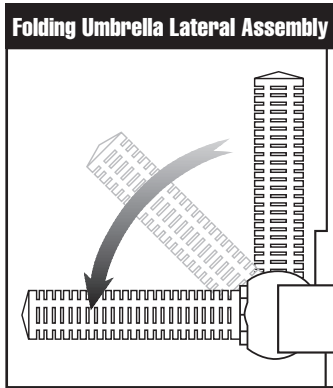
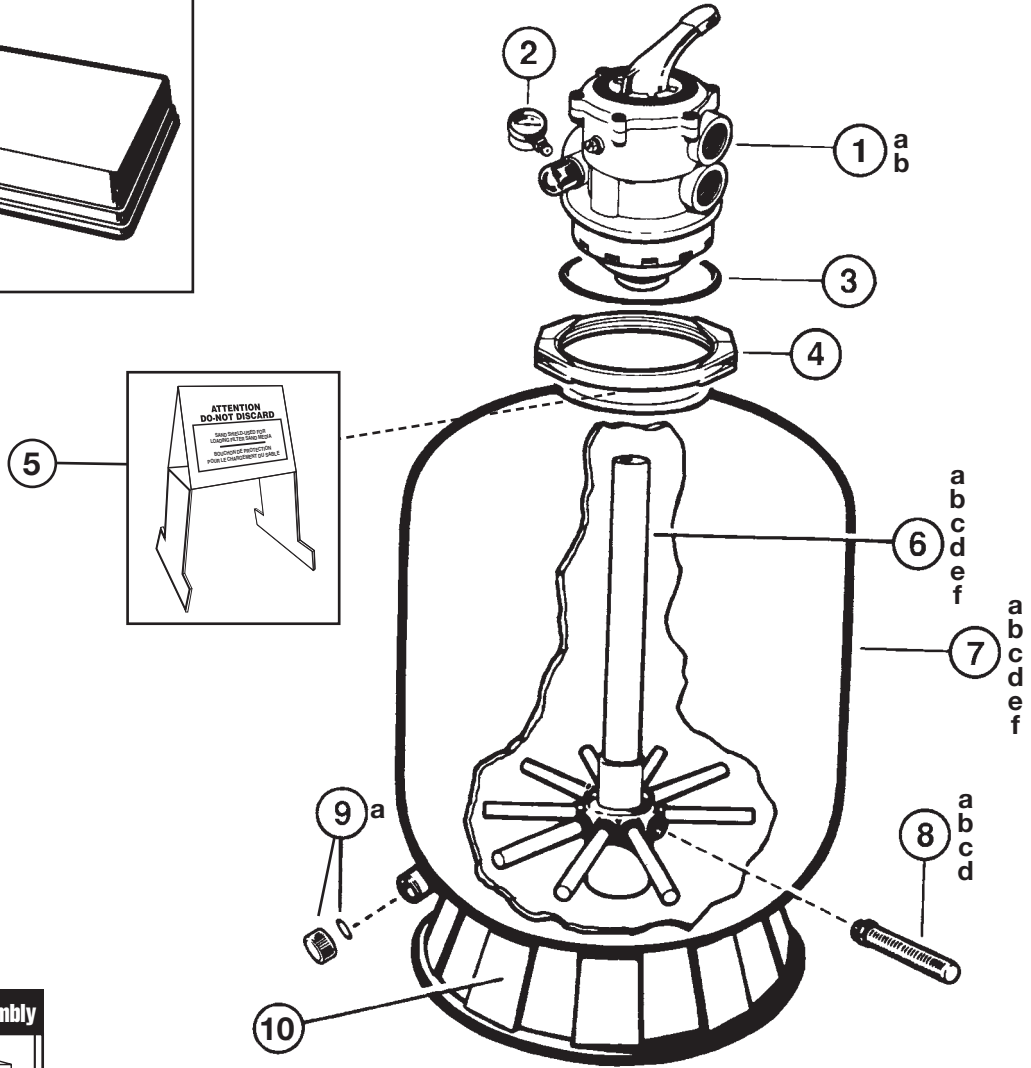
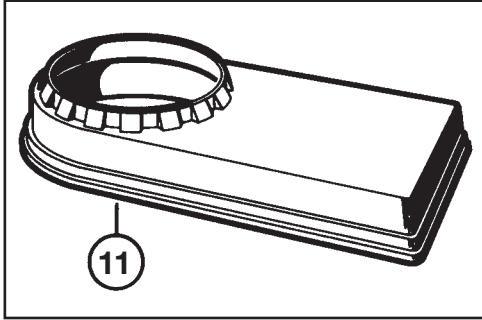
Diagram A

# ProSeries™

S180T, 210T, 220T, 220T2, 230T, 244T, 244T2, S270T SAND FILTER SERIES REPLACEMENT PARTS

## Parts Diagram

Filters



### Parts Listing

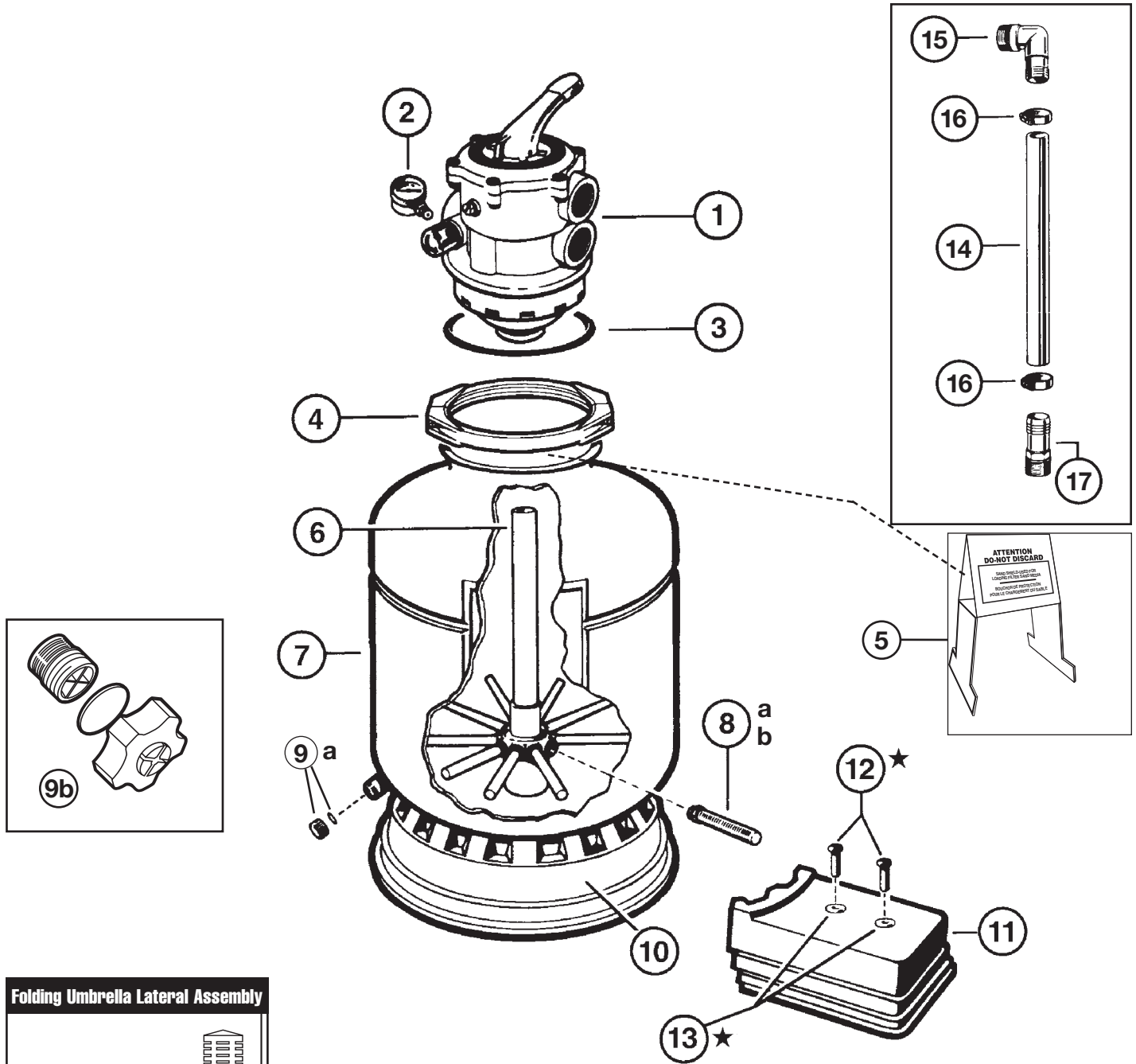
Ref. No.	Part No.	Description	Ctn. Qty.	No. Req'd
1a	SP0714T	Vari-Flo XL Control Valve – 1 1/2"	1	1
1b	SP071620T	Vari-Flo XL Control Valve – 2"	1	1
2	ECX270861	Pressure Gauge	50	1
3	GMX600F	Valve/Tank O-Ring	100	1
4	GMX600NM	Flange Clamp	20	1
5	SX202S	Sand Shield – 2004 Corrugated Design	25	1
6a	SX180DA	Folding Lateral Assembly with Center Pipe (S180T) (1997- )	1	1
6b	SX210DA	Folding Lateral Assembly with Center Pipe (S210T) (1997- )	1	1
6c	SX220DA	Folding Lateral Assembly with Center Pipe (S220T) (1997- )	1	1
6d	SX230DA	Folding Lateral Assembly with Center Pipe (S230T) (2003- )	1	1
6e	SX244DA	Folding Lateral Assembly with Center Pipe (S244T, S270T) (1997- )	1	1
6f	SX244DA2X	Folding Lateral Assembly with Center Pipe (S244T2)	1	1
7a	SX180AA2	Filter Tank with Skirt, Drain, Lateral Assembly (S180T)	1	1
7b	SX210AA1	Filter Tank with Skirt, Drain, Lateral Assembly (S210T)	1	1
7c	SX220AA1	Filter Tank with Skirt, Drain, Lateral Assembly (S220T)	1	1
7d	SX230AA1	Filter Tank with Skirt, Drain (S230T)	1	1
7e	SX244AA1	Filter Tank with Skirt, Drain, Lateral Assembly (S244T)	1	1
7f	SX270AA1	Filter Tank with Skirt, Lateral Assembly (S270T)	1	1
8a	SX200QPAK10	S180T Threaded Lateral ( <i>Set of 10</i> )	10	1
8b	SX240DPAK10	S210T, S220T, S230T, S244T Threaded Lateral ( <i>Set of 10</i> )	10	1
8c	SX200QNPAPK10	S180T Pivot/Ball Lateral ( <i>Set of 10</i> )	10	1
8d	SX240DNPAK10	S210T, S220T, S230T, S244T Pivot/Ball Lateral ( <i>Set of 10</i> )	10	1
9a	SX180HG	Drain Cap Kit (2005 and Prior)	25	1
9b	SX180LA	Drain Cap Assembly – Cap, Gasket, Screen	25	1
—	SX200H	Bottom Drain Screen (2005 and Prior)	10	1
10	SX200J	Filter Support Stand (Skirt)	1	1
11	SX180K	System Base – S180T Systems	1	1

# ProSeries™

S164T, S166T SAND FILTER SERIES REPLACEMENT PARTS

## Parts Diagram

Filters



★ Mounting Screw Kit (#12 & 13)

### Folding Umbrella Lateral Assembly

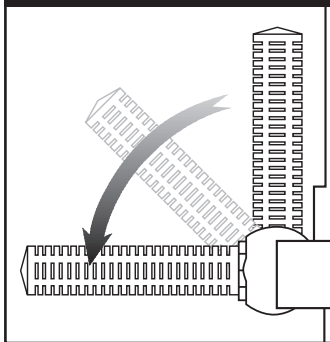


Diagram A

### Parts Listing

Ref. No.	Part No.	Description	Ctn. Qty.	No. Req'd
1	SP0714T*	Vari-Flo XL Control Valve – 7 position	1	1
2	ECX270861	Pressure Gauge	50	1
3	GMX600F	Valve/Tank O-Ring	100	1
4	GMX600NM	Flange Clamp (Valve-Tank)	20	1
5	SX202S	Sand Shield	25	1
6	SX164DA	Folding Lateral Assembly with Center Pipe (1997- )	1	1
7	SX164AA1	Filter Tank with Skirt, Drain and Lateral Assembly	1	1
8a	SX200QPAK10	Threaded Lateral ( <i>Set of 10</i> )	10	1
8b	SX200QNPAK10	Pivot/Ball Lateral ( <i>Set of 10</i> )	10	1
9a	SX180HG	Drain Cap Kit – Cap and Gasket (2005 and Prior)	25	1
—	SX200H	Bottom Drain Screen (2005 and Prior)	10	1
9b	SX180LA	Drain Cap Assembly – Cap, Gasket, Screen	25	1
10	SX164B	Filter Support Stand (Skirt)	1	1
11	SX164C	Pump Base	2	1
—	SX180K	System Base (S166T Series 1999- )	1	1
12	ECX1108A	5/16" x 3/4" Mounting Screw and 5/16" Washer (2) Kit	10	1
13	ECX1109	5/16" Washer	10	2
★	ECX1108A	5/16" x 3/4" Mounting Screws (2) and 5/16" Washers (2) Kit (Includes #12 & 13)	10	1
14	SX160Z4	26" Long Hose	2	1
15	SPX1105Z4	1 1/2" Elbow Hose Adapter	50	1
16	ECX18028	Hose Clamp	25	2
17	SPX1091Z2PAK2	1 1/2" Straight Hose Adapter ( <i>Set of 2</i> )	10	1

**NOTE:** \*SP0714T Vari-Flo Control Valve used as replacement for SP0704 Valve.