



Vertex International, Inc.
Minnesota, USA

✉ - service@vertexproducts.com
🌐 - vertexproducts.com
📞 - 612-709-9534



SD980 Super Duty™ Log & Leaf Cart

STEP 1

Before beginning assembly, you should have:

Assembly Tools Needed

Phillips Screwdriver, #2

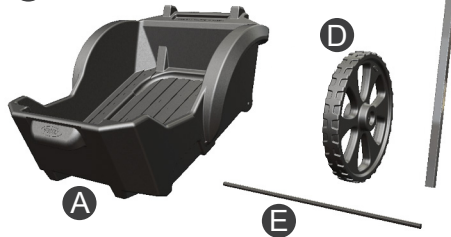


Hammer




Product Components

- A Tub
- B Handle
- C Tubes (2X)
- D Wheels (2X)
- E Axle



Hardware Pack

F  **4X**
1/4"-20 x .3/4" Screws

G  **2X**
1/4" flat washers

H  **4X**
Square push in threaded inserts

I  **2X**
Axle push nuts

MISSING PARTS?

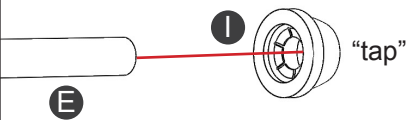
Send the following to service@vertexproducts.com or text 612-709-9534

1. Model Number & Place of Purchase
2. Letter & Description of missing part
3. Your Name and Address

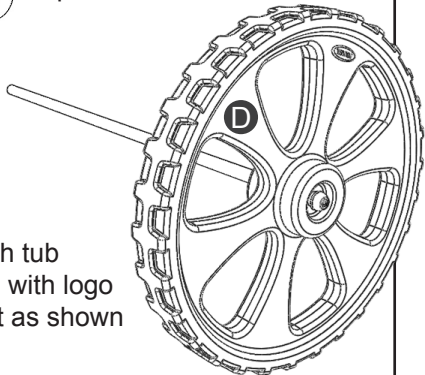
Inquiries received by 2 PM CST will be shipped same business day

STEP 2

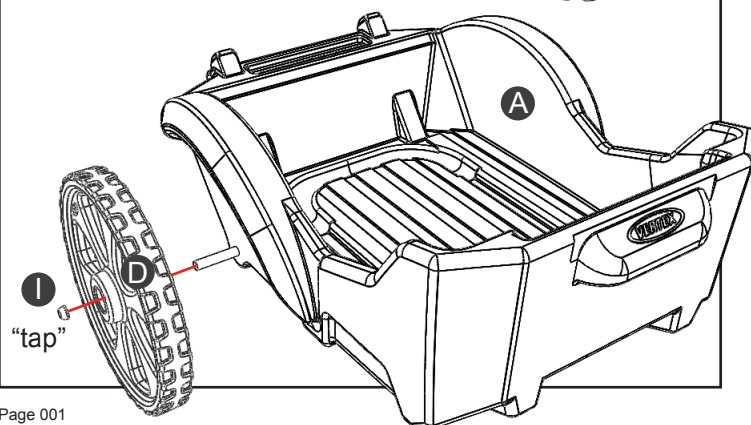
A: Tap one axle nut onto axle



B: Slide wheel on with logo out as shown

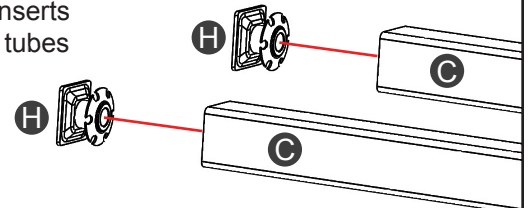


C: Slide assembly through tub and install other wheel with logo facing out and axle nut as shown

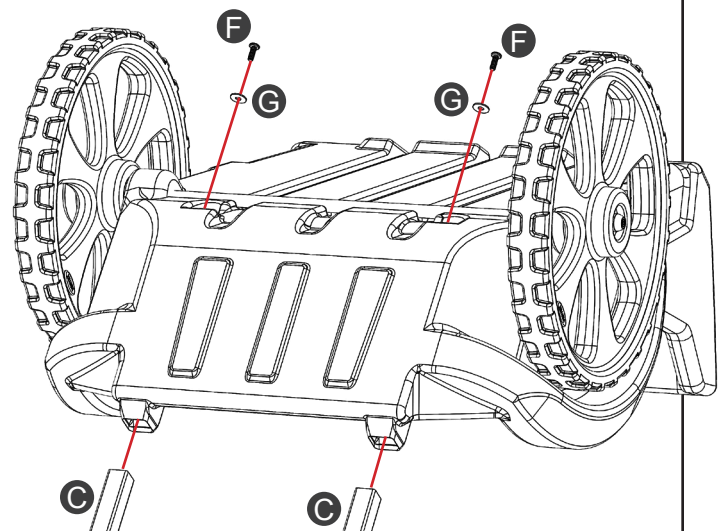


STEP 3

A: Press all 4 inserts into ends of tubes



B: Insert tubes into tub, flip the cart over, align the tube holes with the insert in the tube & assemble as shown





Vertex International, Inc.
Minnesota, USA

- ✉ - service@vertexproducts.com
- 🌐 - vertexproducts.com
- 📞 - 612-709-9534

SD980 Super Duty™ Log & Leaf Cart

STEP 4

A: Install handle as shown

