

Vertex International, Inc.
Minnesota, USA

- ✉ - service@vertexproducts.com
- 🌐 - vertexproducts.com
- 📞 - 612-709-9534

GT80 24 Inch Grid-Hook

STEP 1

Before beginning assembly, you should have:

Assembly Tools Needed

Phillips Screwdriver, #2



OR

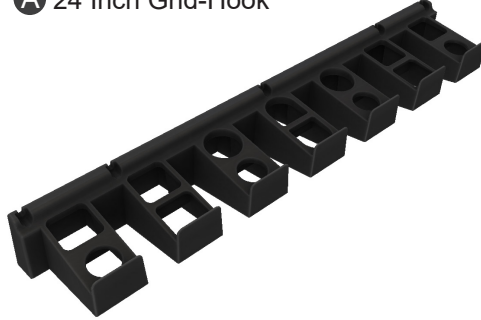


Drill / Driver,
#2 Bit



Product Components

A 24 Inch Grid-Hook



Hardware Pack

B



8X
Screws

MISSING PARTS?

Send the following to service@vertexproducts.com or text 612-709-9534

1. Model Number & Place of Purchase
2. Letter & Description of missing part
3. Your Name and Address

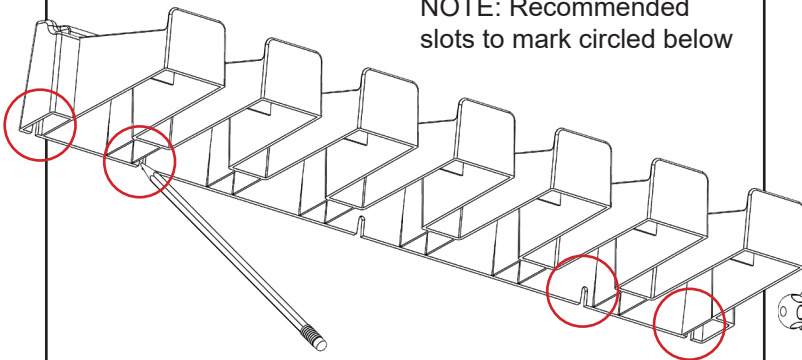
Inquiries received by 2 PM CST will be shipped same business day

NOTE: At purchaser's discretion, use additional screws as needed (additional screws not provided)

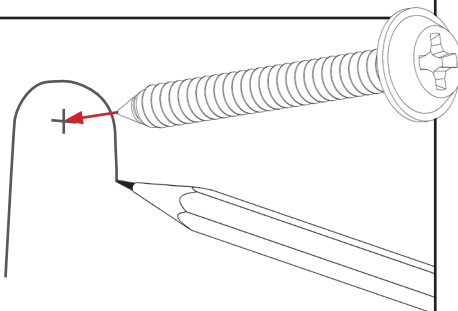
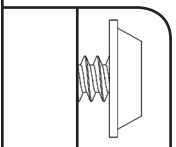
STEP 2

A: For grid use, mark bottom slot holes 24" from floor. For hook use, mark bottom slot holes around shoulder height & make sure largest desired hanging tool has clearance to floor.

NOTE: Recommended slots to mark circled below

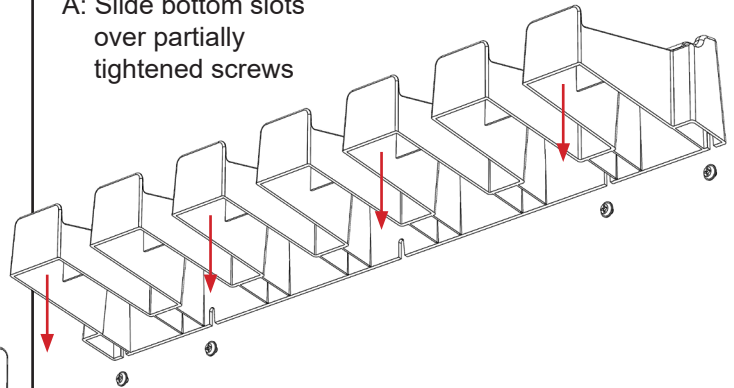


B: Remove unit and PARTIALLY install the bottom screws



STEP 3

A: Slide bottom slots over partially tightened screws



B: Install top screws and tighten all fasteners until snug

