



Vertex International, Inc.
Minnesota, USA

- ✉ - service@vertexproducts.com
- 🌐 - vertexproducts.com
- 📞 - 612-709-9534



GT70 Wall Organizer with Bin

STEP 1

Before beginning assembly, you should have:

Assembly Tools Needed

Phillips Screwdriver, #2



OR



Drill / Driver,
#2 Bit



Product Components

A Wall Organizer with Bin



Hardware Pack

B



8X
Screws

MISSING PARTS?

Send the following to
service@vertexproducts.com
or text 612-709-9534

1. Model Number & Place of Purchase
2. Letter & Description of missing part
3. Your Name and Address

Inquiries received by
2 PM CST will be
shipped same business day

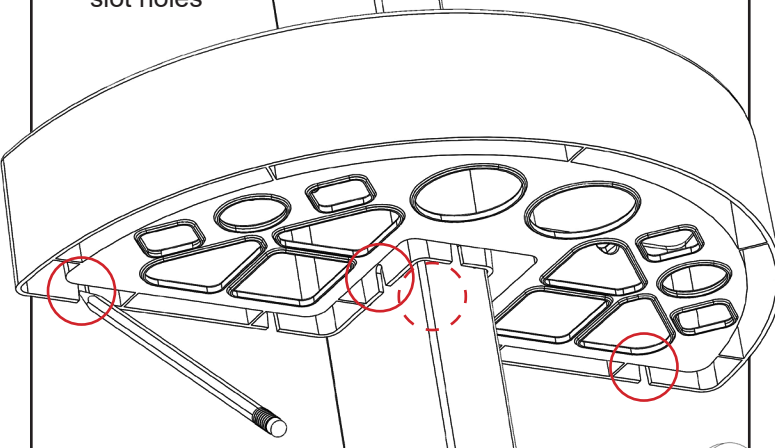
For stud mounting directions, proceed to step 2; for flush wall mounting instructions, skip to step 4

STEP 2

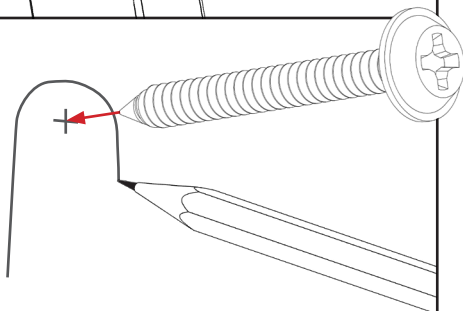
Long Tool Storage: 24" From Floor
Bin Shelf: 12"-18" Apart

A: Position wall organizer and mark bottom slot holes

NOTE: Recommended slots to mark circled below (both sides of 2x4)

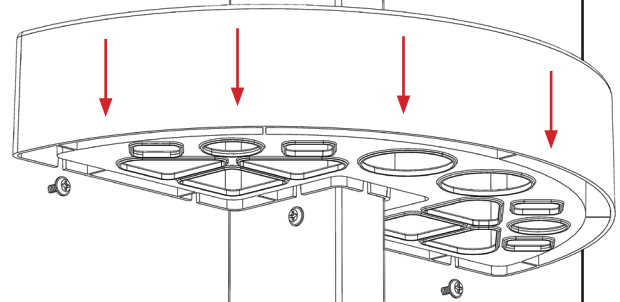


B: Remove unit and **PARTIALLY** install the bottom screws

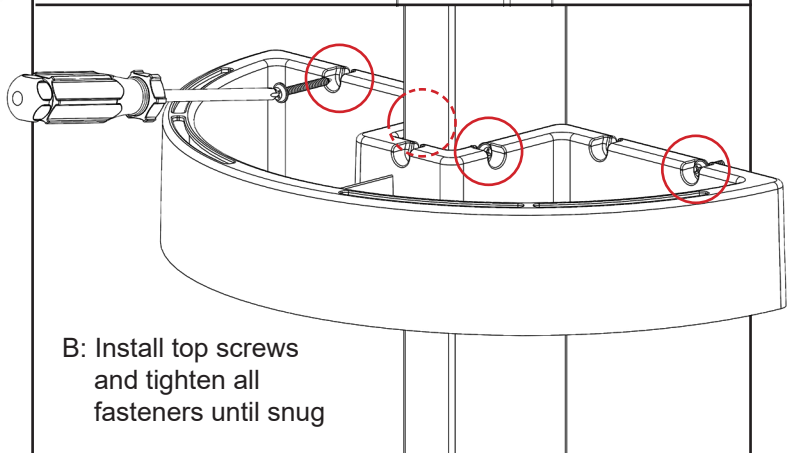


STEP 3

A: Slide bottom slots over partially tightened screws



B: Install top screws and tighten all fasteners until snug





Vertex International, Inc.
Minnesota, USA

- ✉ - service@vertexproducts.com
- 🌐 - vertexproducts.com
- 📞 - 612-709-9534



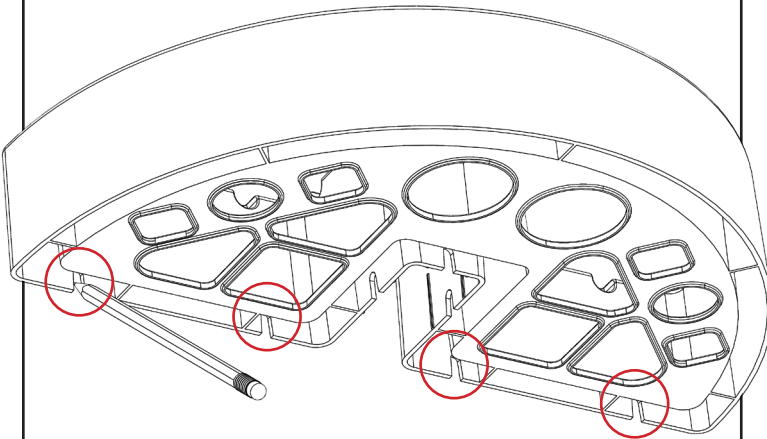
GT70 Wall Organizer with Bin

STEP 4

Long Tool Storage: 24" From Floor
Bin Shelf: 12"-18" Apart

A: Position wall organizer and mark bottom slot holes

NOTE:
Recommended slots to mark circled below

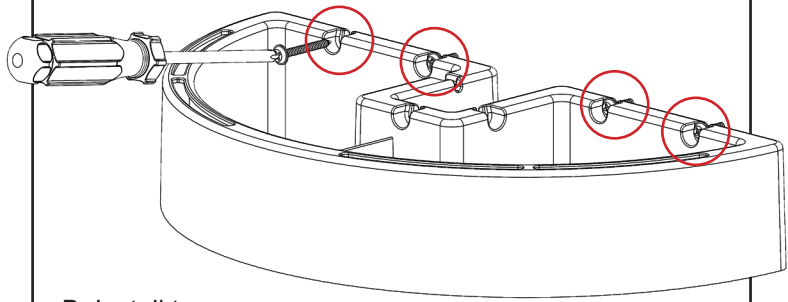
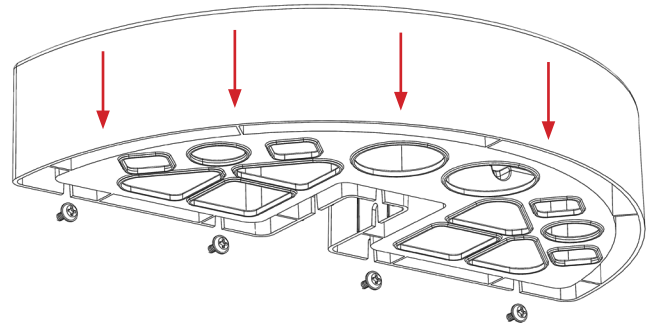


B: Remove unit and PARTIALLY install the bottom screws



STEP 5

A: Slide bottom slots over partially tightened screws



B: Install top screws and tighten all fasteners until snug

NOTE: At purchaser's discretion, use additional screws as needed (additional screws not provided)