

Vertex International, Inc.  
Minnesota, USA

- ✉ - service@vertexproducts.com
- 🌐 - vertexproducts.com
- 📞 - 612-709-9534

## GT100 24 Inch Grip Clip

### STEP 1

Before beginning assembly, you should have:

#### Assembly Tools Needed

Phillips Screwdriver, #2



OR



Drill / Driver,  
#2 Bit



#### Product Components

A 24 Inch Grip Clip



#### Hardware Pack

B



**8X**  
Screws

### MISSING PARTS?

Send the following to  
service@vertexproducts.com  
or text 612-709-9534

1. Model Number & Place of Purchase
2. Letter & Description of missing part
3. Your Name and Address

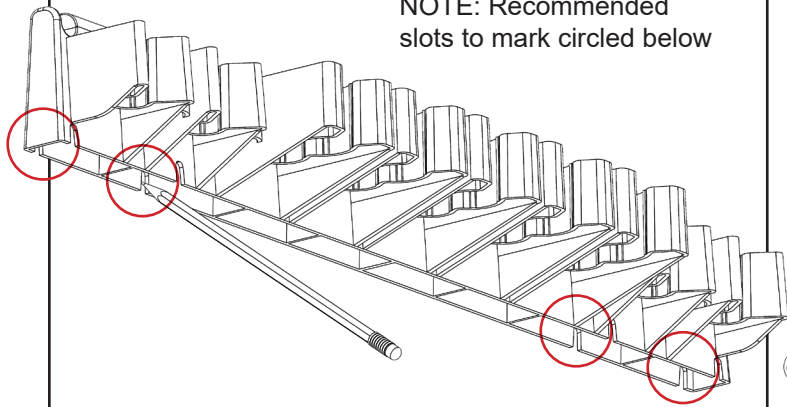
Inquiries received by  
2 PM CST will be  
shipped same business day

NOTE: At purchaser's discretion, use additional screws as needed (additional screws not provided)

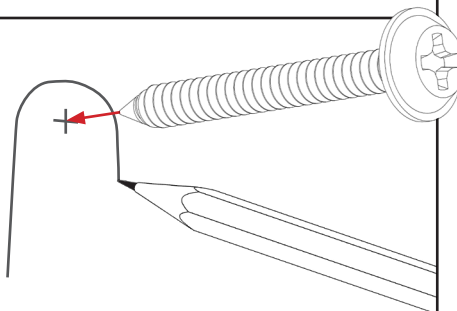
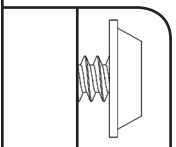
### STEP 2

A: Mark bottom slot holes around shoulder height & make sure largest desired hanging tool has clearance to floor.

NOTE: Recommended slots to mark circled below

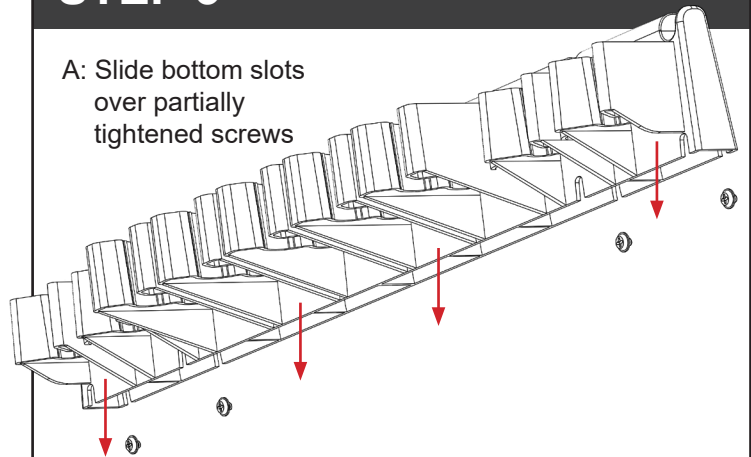


B: Remove unit and PARTIALLY install the bottom screws



### STEP 3

A: Slide bottom slots over partially tightened screws



B: Install top screws and tighten all fasteners until snug

