



Vertex International, Inc.
Minnesota, USA

- ✉ - service@vertexproducts.com
- 🌐 - vertexproducts.com
- 📞 - 612-709-9534



GE4500 Outdoor Utility Sink

STEP 1

Before beginning assembly, you should have:

Assembly Tools Needed

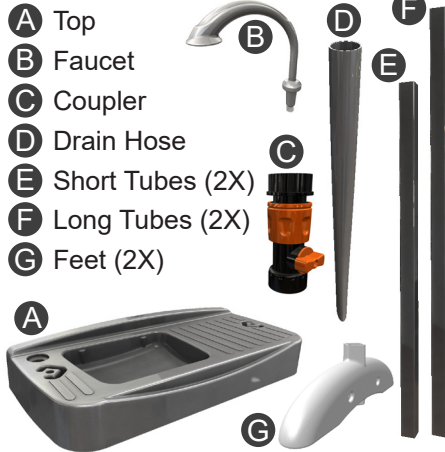
Phillips Screwdriver, #2



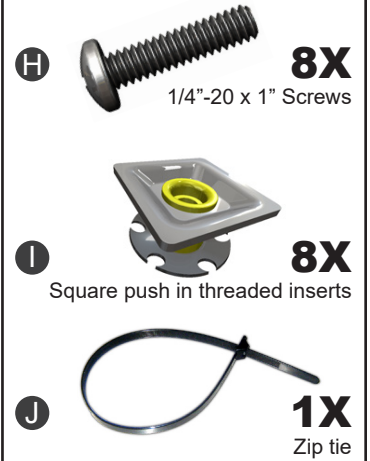
Hammer



Product Components



Hardware Pack



MISSING PARTS?

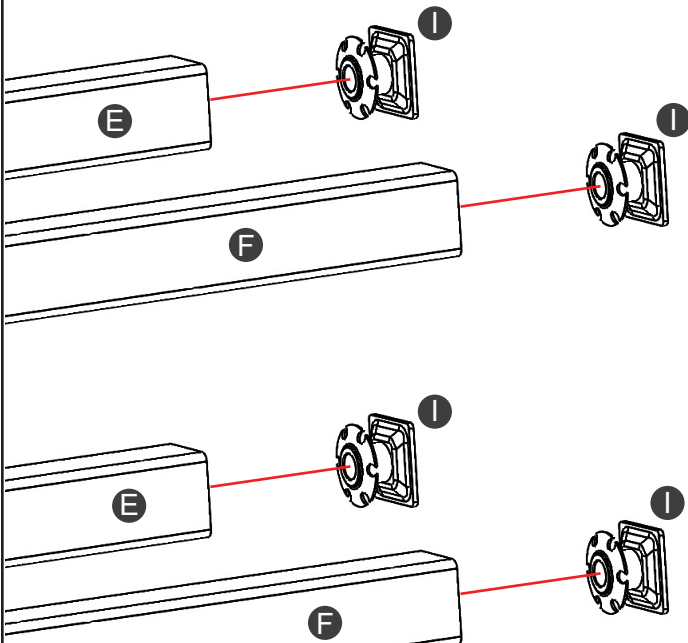
Send the following to service@vertexproducts.com or text 612-709-9534

1. Model Number & Place of Purchase
2. Letter & Description of missing part
3. Your Name and Address

Inquiries received by 2 PM CST will be shipped same business day

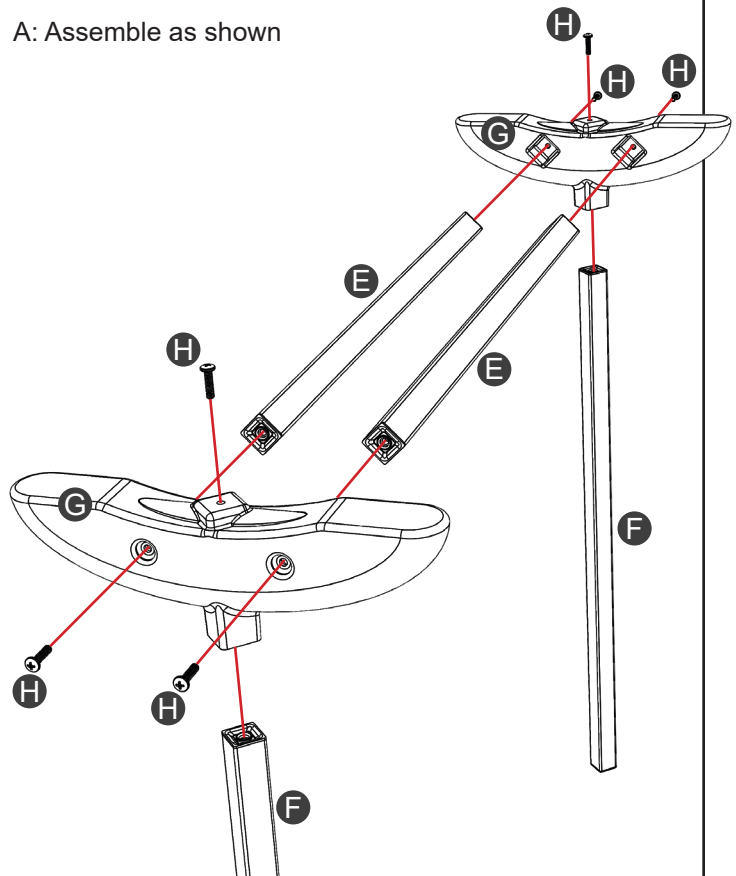
STEP 2

A: Press all 8 inserts into ends of tubes



STEP 3

A: Assemble as shown





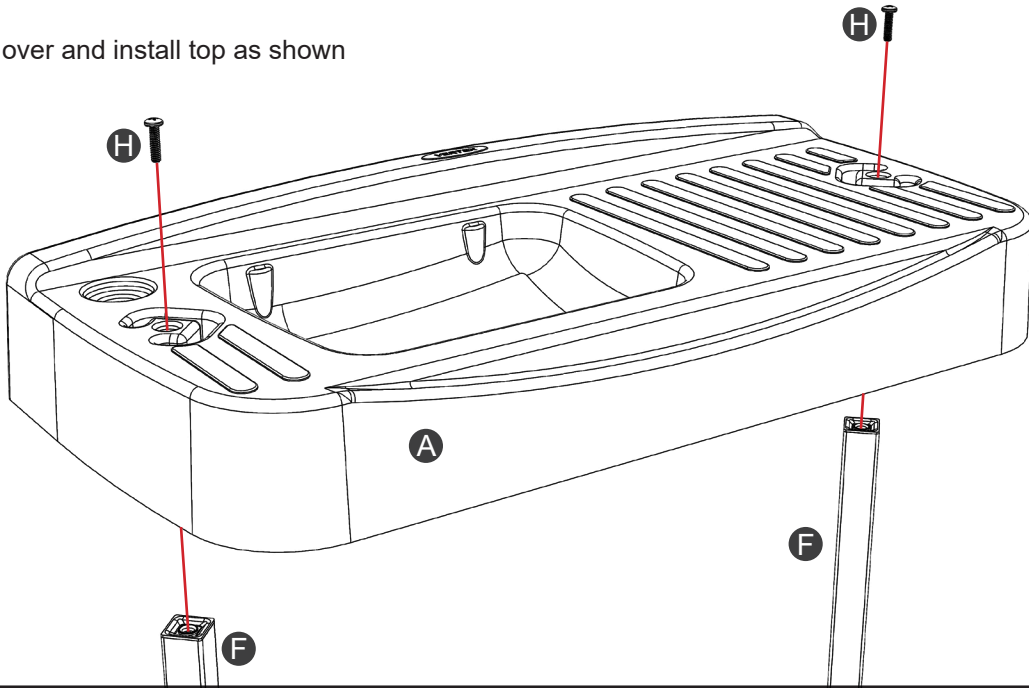
Vertex International, Inc.
Minnesota, USA

- service@vertexproducts.com
- vertexproducts.com
- 612-709-9534

GE4500 Outdoor Utility Sink

STEP 4

A: Flip assembly over and install top as shown



STEP 5

A: Install faucet and coupler as shown

B: Slide drain hose on drain spout and tighten with zip tie

