

NEAR® ORBIT Loudspeakers

ORBIT Pendant Speakers OPS1



OPS1W
(White)

OPS1B
(Black)

The NEAR Orbit Pendant Speakers provide an ideal sound solution for open space environments that require clear, quality sound evenly distributed throughout the area. These speakers offer a pleasing industrial design, mount from above, and feature NEAR's unique MDT™ and MLS™ metal-alloy speaker driver technologies (see page 19) to deliver clean intelligible audio.

Product Features:

- Specially designed to provide full range bass in open space environments
- Easy to use cable suspension system includes three suspension cables with attached forged eyebolts
- 140-degree wide-dispersion coaxial driver for broad even coverage
- Stable, high definition metal-alloy woofer cone
- 6-1/2" MDT metal-alloy cone delivers detailed sound; 3/4" polycarbonate tweeter
- MLS voice coil centering system
- High-efficiency drivers deliver superior performance
- Extremely good off-axis response
- Large cabinet volume and computer-matched venting system for superior bass output
- Snap-lock input connector for easy wiring to drop cables
- Connector provides loop-through to next speaker
- For 16-ohm, 70V, and 100V systems
- Frequency response: 60 Hz to 19 kHz
- Sensitivity: 89.5 dBspl
- Low-resonance cabinet structure
- Threaded brass insert point for optional safety cable eyebolt
- Powder-coated, perforated sturdy steel grille
- Available in black and white textured, paintable finish
- Fire-rated (94V0) enclosure

Technical Specifications:

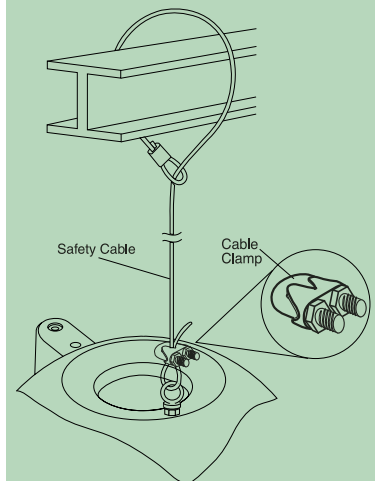
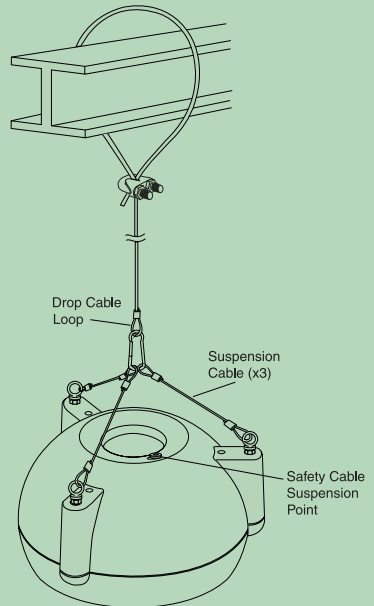
Impedance	Power Handling	Dimensions	Product Weight
16 ohms	100W	9-1/4" D X 15" Diameter	10 lb.
70V	32, 16, 8, 4, 2, & 1 W taps		
100V	32, 16, 8, 4, & 2 W taps		

Overhead Mounting

The OPS1 was designed for use in open spaces or in pavilion-style structures where the ceilings are high but sound needs to be further down, closer to the audience/listener.

Mounts Safely

The CK10 cable kit accessory (sold separately) can be used as a safety or main drop cable. This flexibility allows the speaker to be secured in a building in a variety of ways.



An integral safety cable suspension point on the speaker provides additional safety. A secondary cable can be connected to this suspension point and run alongside the primary (weight-bearing) cable as a backup.

2 COLOR CHOICES*:



*Actual color may vary from these catalog samples.

Accessories

CK10
10 ft.
Cable Kit

