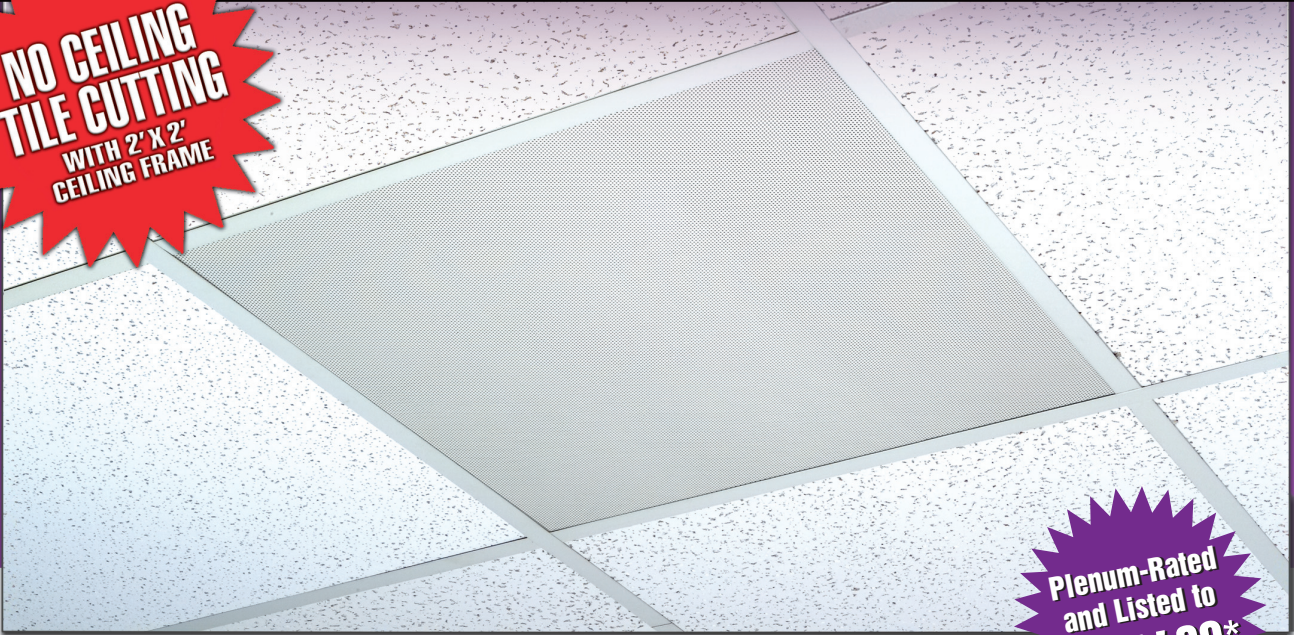


**2ft. x 2ft.**

# DROP-IN CEILING SPEAKERS

**NO CEILING  
TILE CUTTING  
WITH 2' X 2'  
CEILING FRAME**



**Plenum-Rated  
and Listed to  
UL-1480\***

## Drop-In Ceiling Speaker with Back Can CSD2X2 & Variations

Bogen's CSD2X2 Drop-In Ceiling Speaker is a full-range speaker that allows for fast and easy installation, which saves installation time, effort, and cost.

The CSD2X2 is a 2' x 2' speaker that fits perfectly into place in 2' x 2' ceiling grids – without needing to cut ceiling tiles or requiring the use of tile support rails. The CSD2X2 can also be easily installed in 2' x 4' ceiling grids – just make one cut to the ceiling tile, position the support rail (included), and drop the speaker into place.

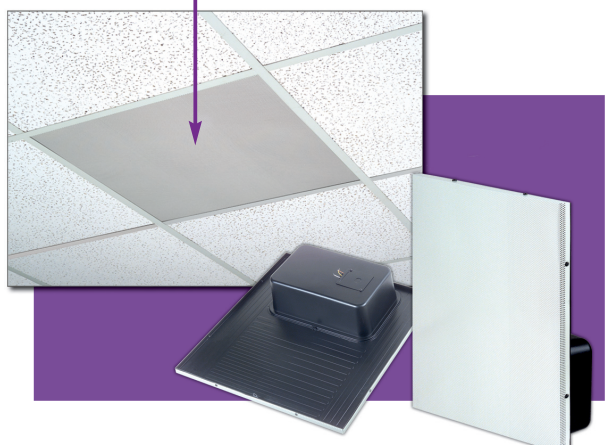
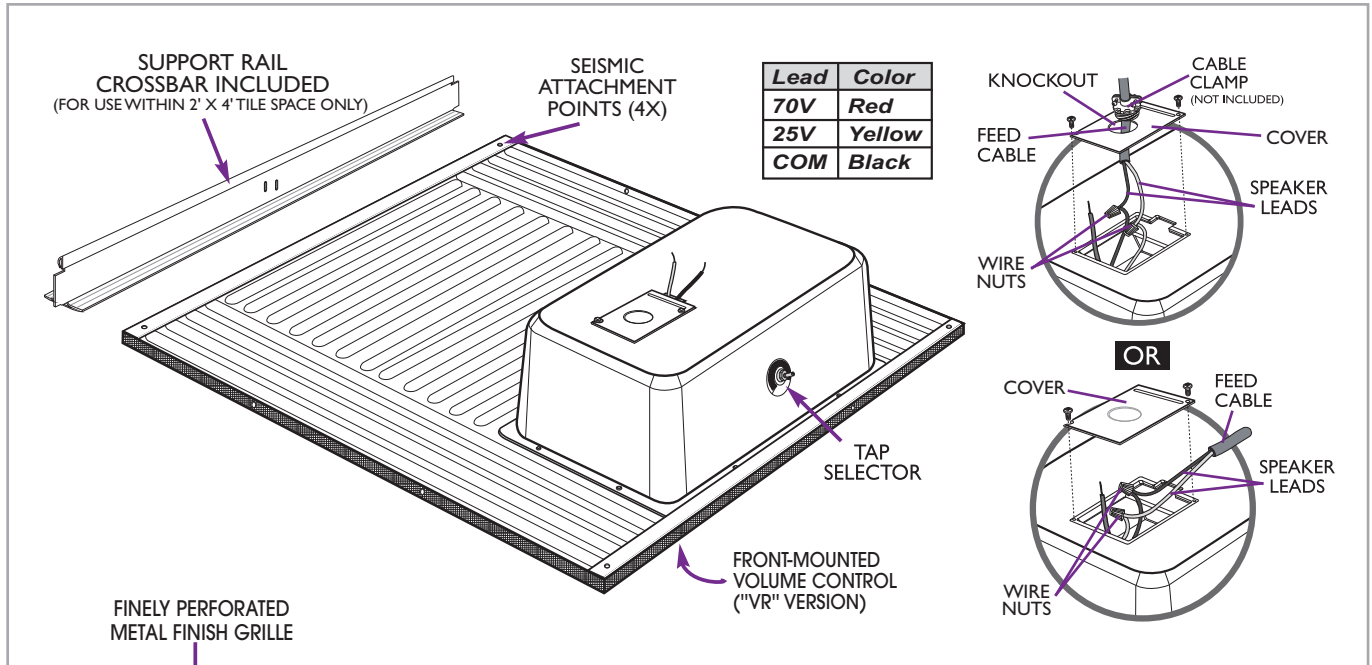
- Finely perforated grille over the entire front of speaker
- Fully enclosed, industrial grade steel construction
- Enclosed Back Can
- 8" main cone with secondary high-frequency cone
- 70V/25V, 4-watt transformer (4, 2, 1, 0.5, 0.25 watt) taps; selected by rotary switch
- Seismic attachment points
- Available in off-white and bright white ("U" versions) grille finish
- "VR" versions have a Recessed Volume Control (front-mounted)
- Listed to UL Standard 1480 for U.S. use
- Support Rail Crossbar (included)



\*Listed to UL Standard 1480 for U.S. use

**BOGEN®**

# Drop-In Ceiling Speaker CSD2X2 & Variations



## SPECIFICATIONS

- Frequency Response . . . . . 95 Hz to 20 kHz
- SPL @ 1W / 1m . . . . . 94 dB
- Power Taps . . . . . 4, 2, 1, 0.5, 0.25 watts
- Dispersion @ 2 kHz (6 dB down) . . . . . 100°
- Cone Material & Surround . . . . . Treated paper
- Cones . . . . . 8" main cone with secondary high frequency cone
- Magnet Weight . . . . . 10 oz.
- Connection . . . . . Via wire nuts (included in electrical box)
- Dimensions . . . . . 24" W x 4-7/8" H x 24" D
- Product Weight . . . . . 12 lb.

70V and 25V Compatible.  
 Plenum-Rated and Listed to UL Standard 1480 for U.S. use.

### Architect and Engineer Specifications

The speaker shall be a Bogen Model CSD2X2 or CSD2X2VR Drop-In Ceiling Speaker, which shall be fully enclosed and constructed of industrial grade steel. It shall be comprised of a damped high-compliance factory-mounted 8" loudspeaker that shall consist of an 8" treated paper main cone, a secondary high frequency cone, and a 10 ounce magnet. The unit shall have a 70V/25V transformer with power taps of 4, 2, 1, 0.5, and 0.25 watts, selectable by rotary switch. Output shall be 94 dB @ 1 watt / 1 meter (min.). Frequency response shall be 95 Hz to 20 kHz (min.). The speaker shall include 4 seismic attachment points. The speaker shall have a non-reflective, off-white or bright white ("U") versions) metal finish grille. Speaker is listed to UL Standard 1480 for U.S. use.

**For CSD2X2VR:** A front-mounted volume control shall be easily accessible. The speaker assembly will fit into 2' x 2' and 2' x 4' ceiling tiles. For 2' x 2' installations, a support rail shall not be needed and no cuts to the ceiling shall be necessary. For 2' x 4' installations, a single cut to the ceiling tile and an included support rail shall be needed. The speaker shall measure 24" W x 4-7/8" H x 24" D and shall weigh 12 lb.

Model	Off-white Finish	Bright White Finish (U)	Back Can	Recessed Volume Control (VR)
CSD2X2	●		●	
CSD2X2U		●	●	
CSD2X2VR	●		●	●
CSD2X2VRU		●	●	●