

Dstar Ltd  
Unit 6 Beaver Industrial Estate  
Southmoor Lane  
Havant, Hampshire  
PO9 1JW,  
United Kingdom

Contact  
Landline: +44 (0)203 149 0187  
Mobile: +44 (0)7771 556 065  
Email: info@dstar.global  
Website: www.dstar.global



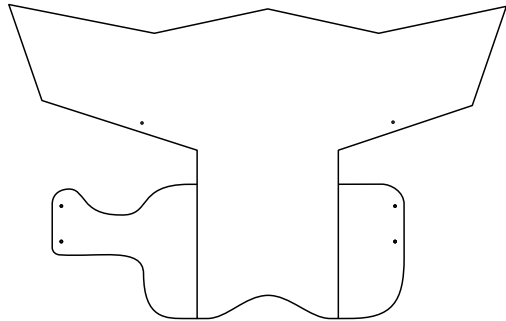
Social Media  
www.facebook.com/dstarracewears  
instagram @dstarracewear  
twitter - @dstarracewear

Company Details  
VAT No: GB 390 9442 72  
EORI No: GB 390944272000  
Company No: 13449400

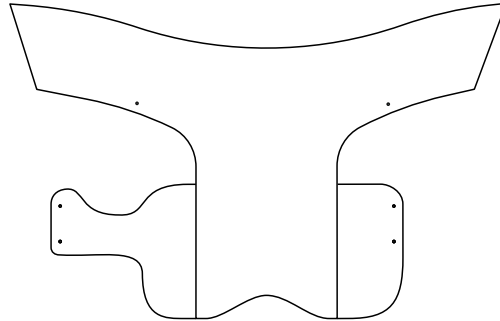
## - Speedway Bike Cover - Fork Cover

**Name:**  
**Address:**

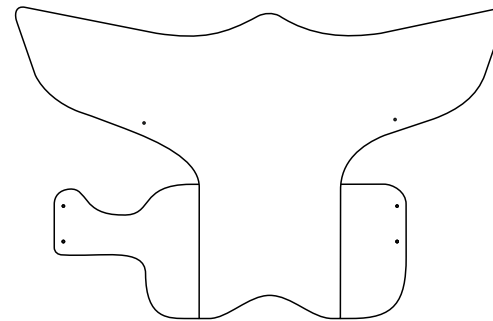
**Tel Number:**  
**Email:**



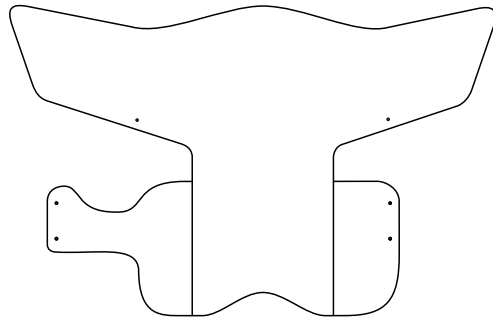
DS-FC - 1



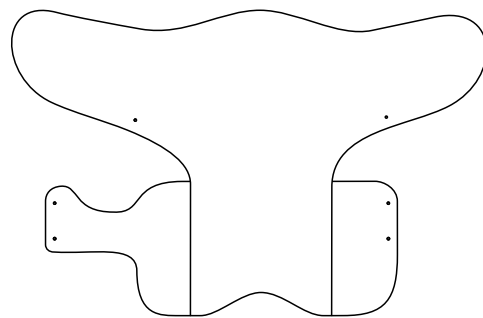
DS-FC - 2



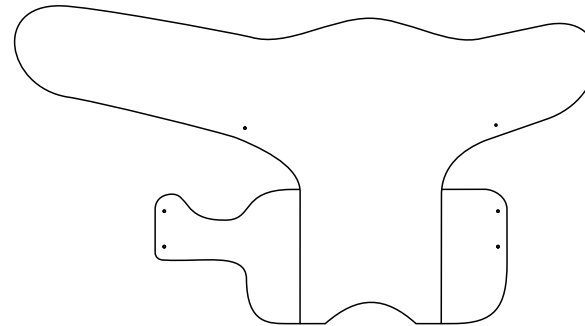
DS-FC - 3



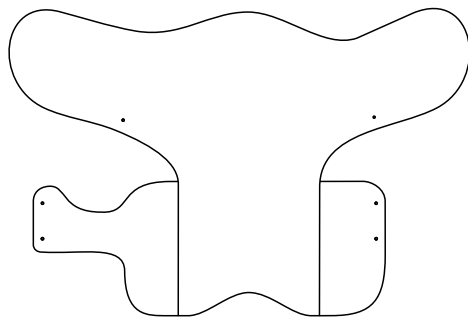
DS-FC - 4



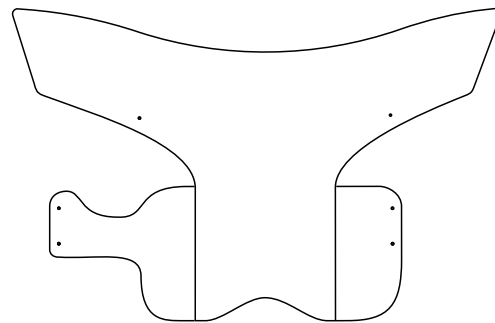
DS-FC - 5



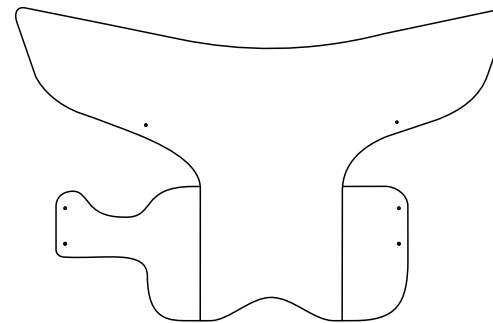
DS-FC - 6



DS-FC - 7



DS-FC - 8



DS-FC - 9

**Frame Type:**

**Cover Material:**

Matte Finish Material

Printed Vinyl (Shiny)

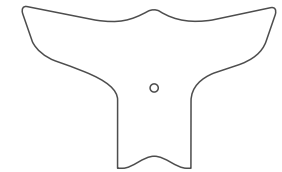
**Optional Parts:**

Clutch Cable Hole

Yes

No

**Stitch Colour:**



Clutch Cable  
Hole Example

**Back of Fork Cover Design**

