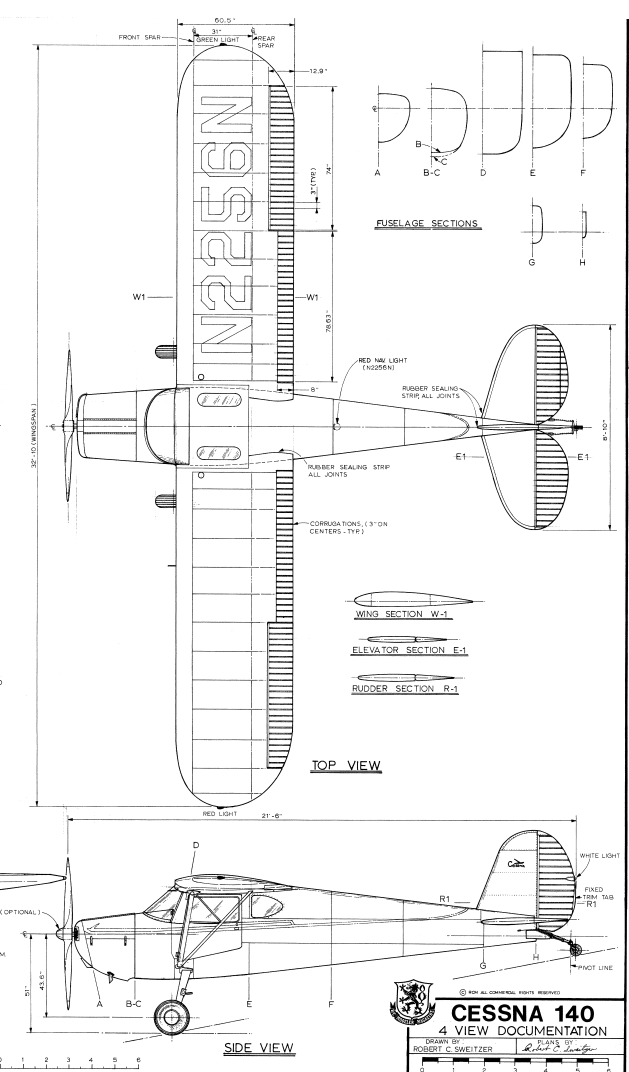
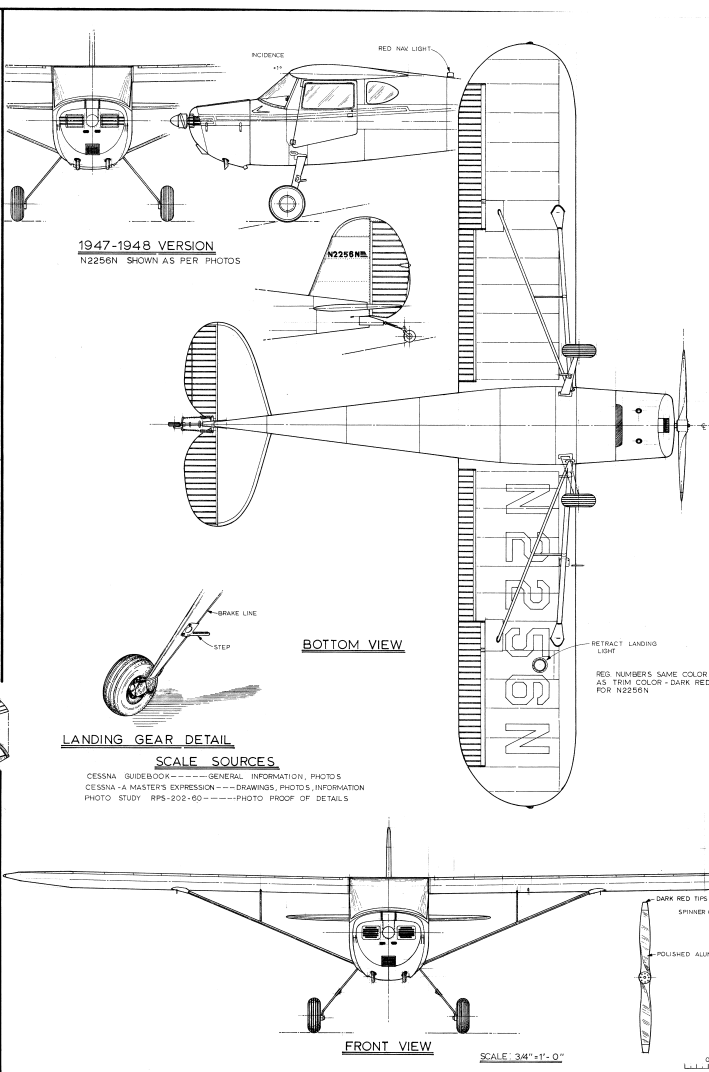
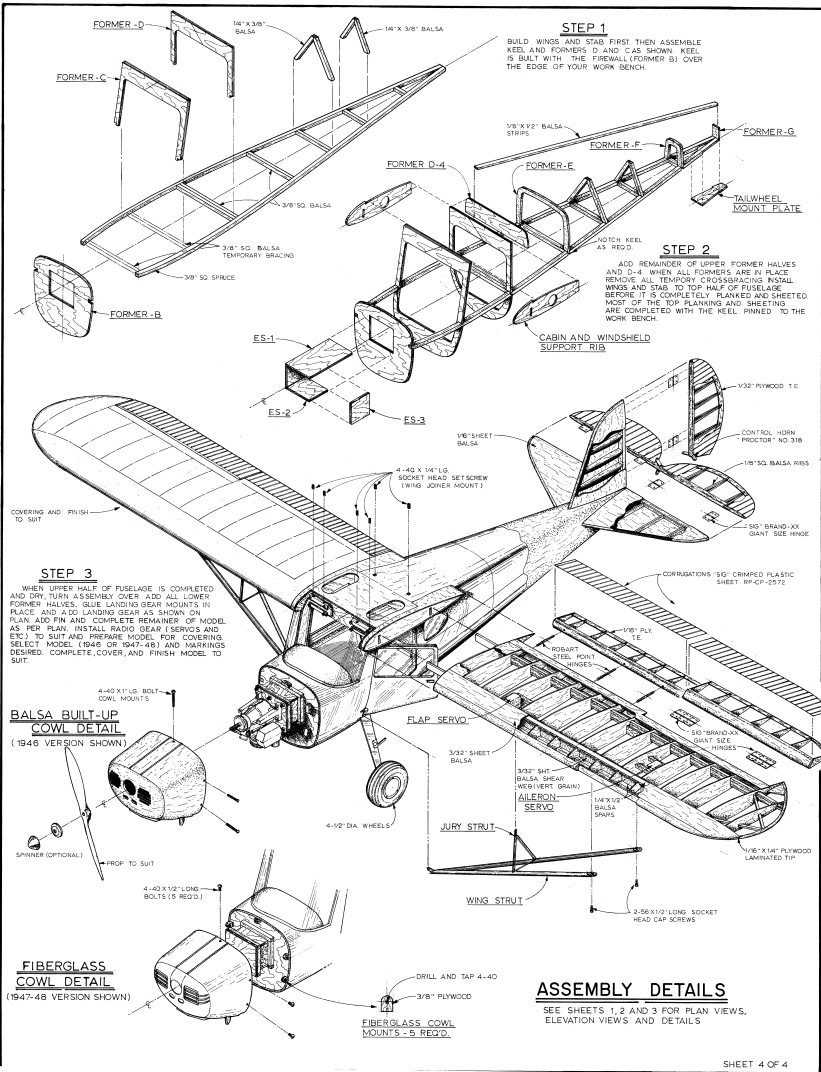


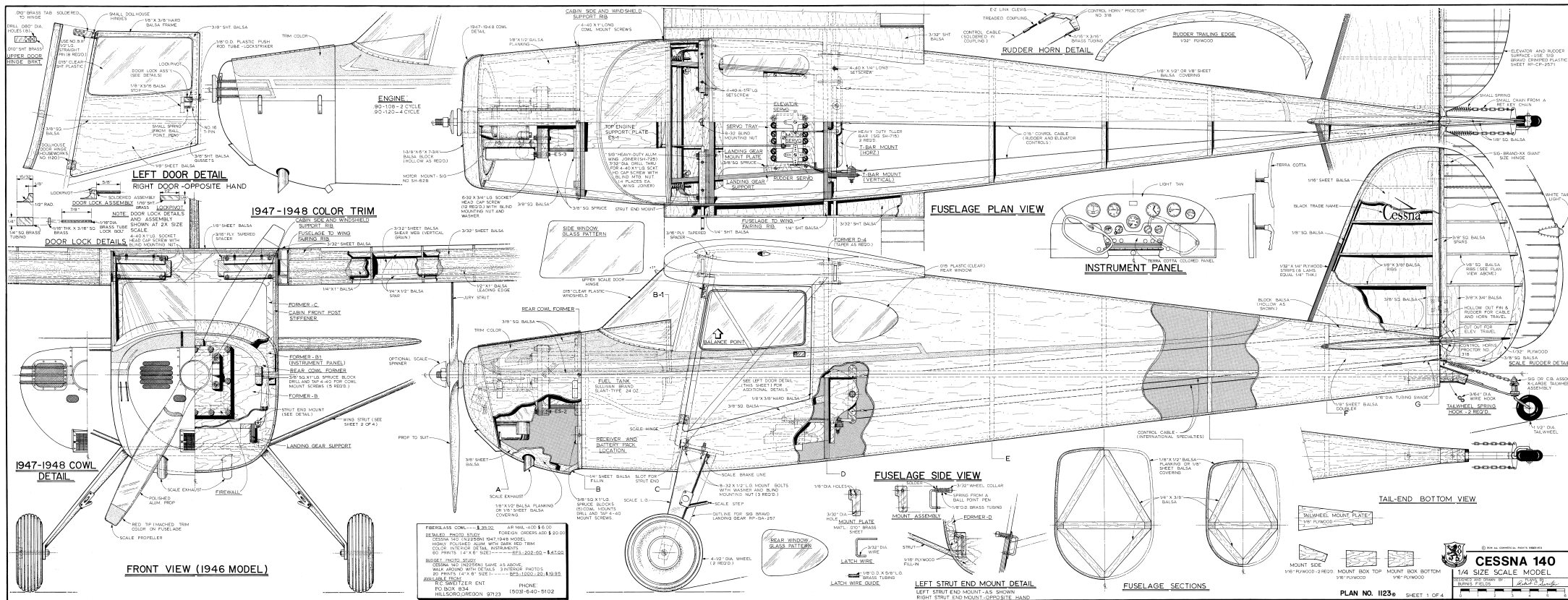
STABILIZER & ELEVATOR PLAN

STAB AND ELEVATOR SECTION

FUSELAGE KEEL PLAN

© 1974 ALL RIGHTS RESERVED
CESSNA 140
 1/4 SIZE SCALE MODEL
 DESIGNED AND DRAWN BY
 BURNHILL FIELDS
 PLANS BY
Burnhill Fields
PLAN NO. 11236 SHEET 3 OF 4





FIBERGLASS COWL --- \$35.00 AIR MAIL --- \$5.00
DETAILS PHOTO STAMP CUSHION SEATERS ADD \$20.00
CUSHION AND TUBS FROM 947-148 MODEL ADD \$20.00
HARD FINISHED SUIT WITH DARK RED TRIM ADD \$20.00
90 HOURS 147-K-1021 --- \$20.00-30.00-45.00
BIBBY PHOTO STAMP ADD \$20.00
CUSHION AND TUBS FROM 947-148 MODEL ADD \$20.00
HARD FINISHED SUIT WITH DARK RED TRIM ADD \$20.00
90 HOURS 147-K-1021 --- \$20.00-30.00-45.00
AIR MAIL --- \$5.00
R. B. SWITZER ENT PHONE: 503-824-8384
PO BOX 8384 HILLSBORO, OREGON 97123 503-840-5102

CESSNA 140
1/4" SIZE SCALE MODEL
DESIGNED BY CESSNA INC.
TORONTO, CANADA
© 1974 CESSNA INC. 140-1-1000-01
PLAN NO. 1123e SHEET 1 OF 4