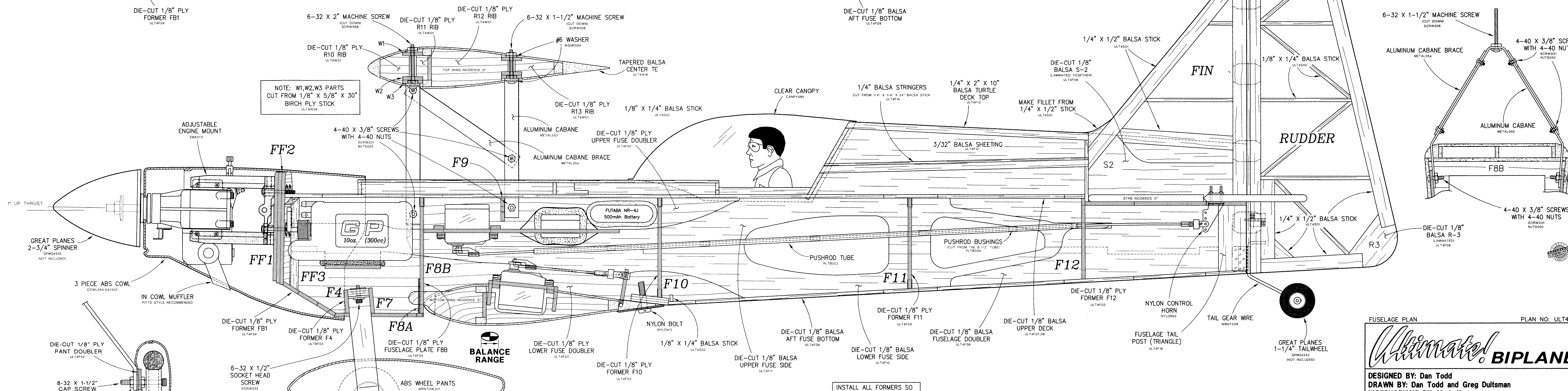
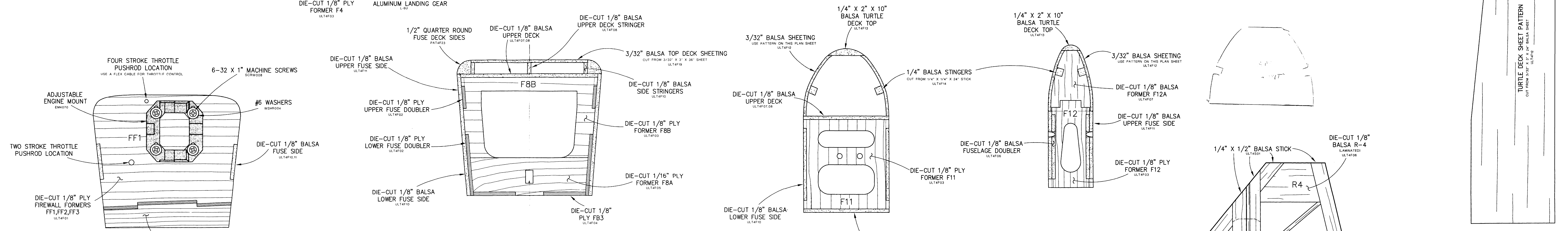
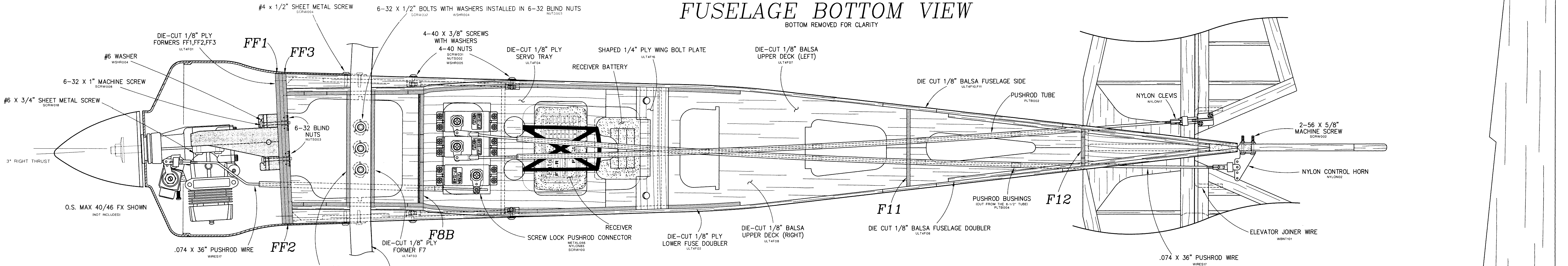


FUSELAGE BOTTOM VIEW

BOTTOM REMOVED FOR CLARITY



FUSELAGE SIDE VIEW

LEFT SIDE REMOVED FOR CLARITY



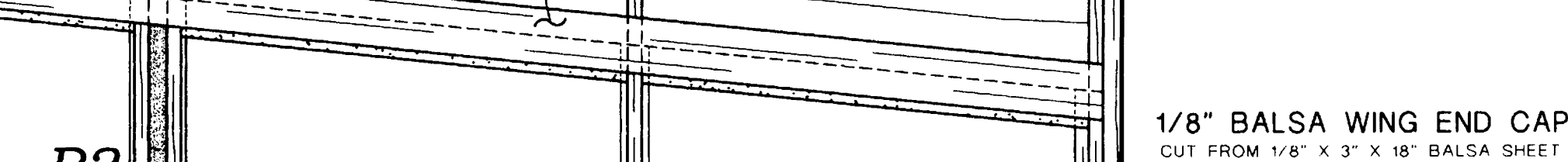
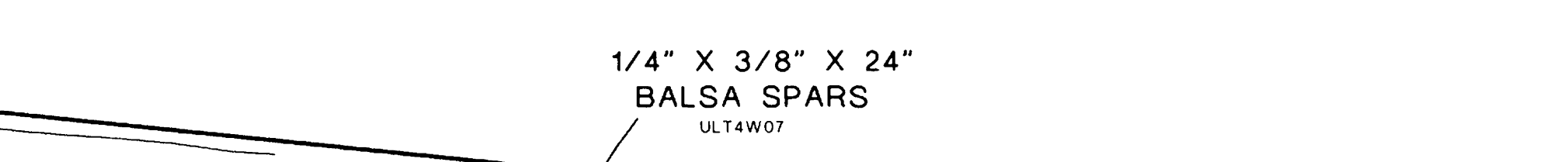
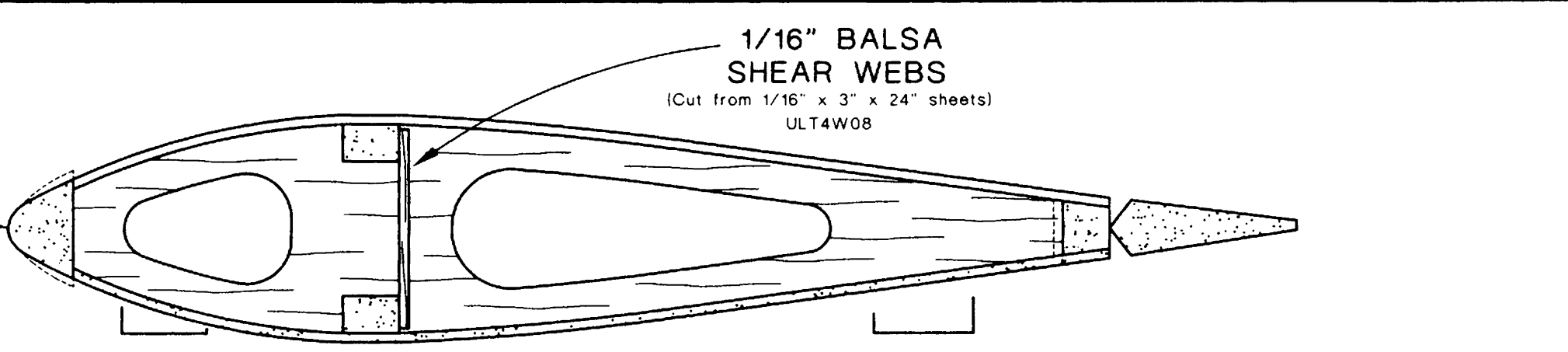
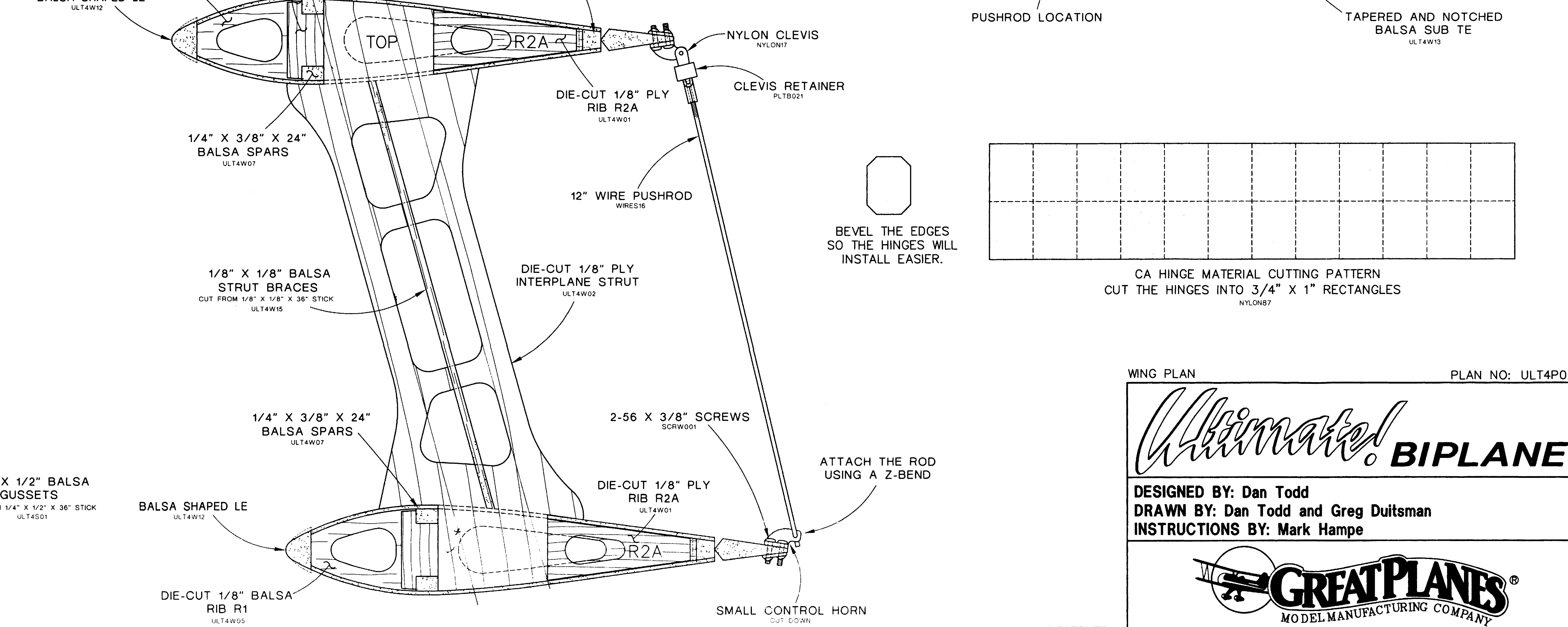
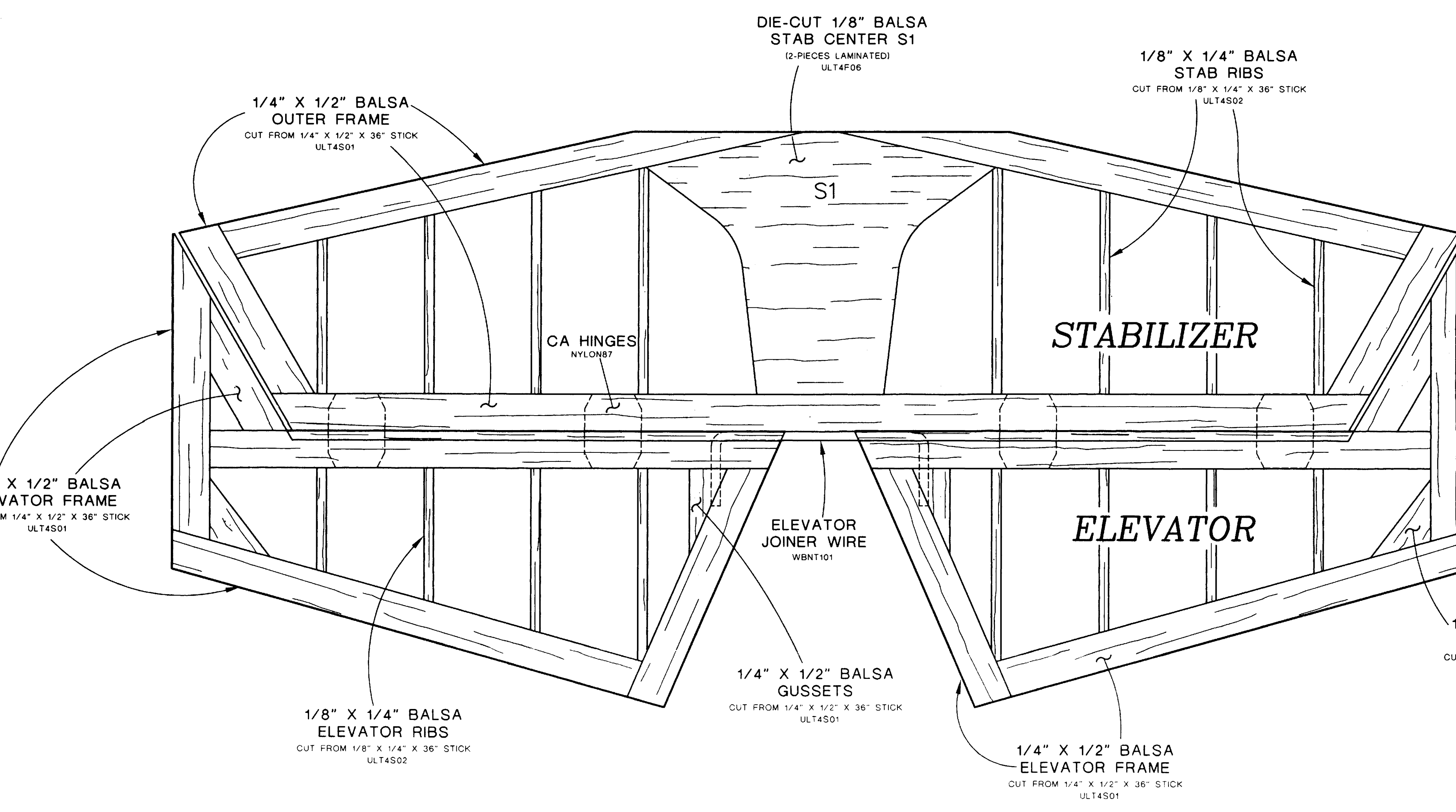
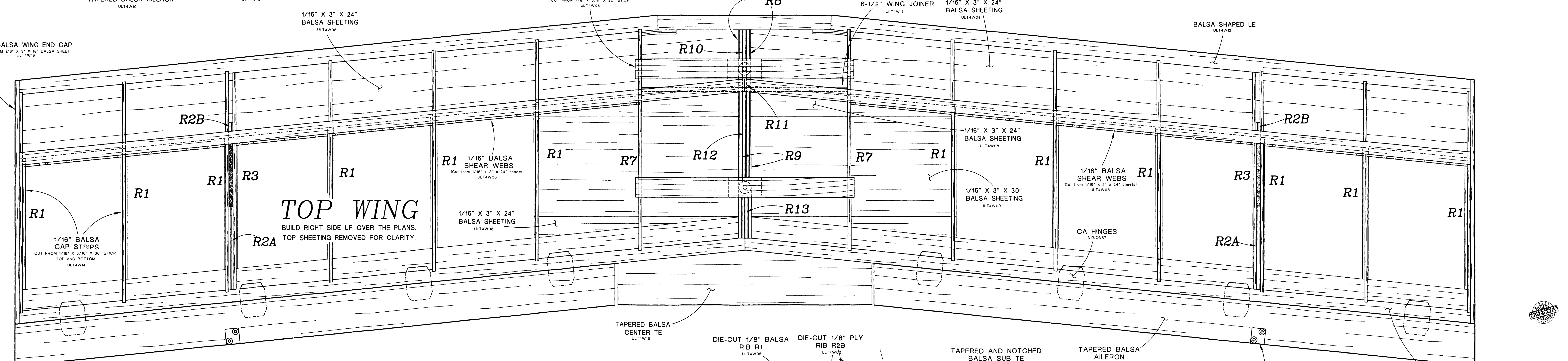
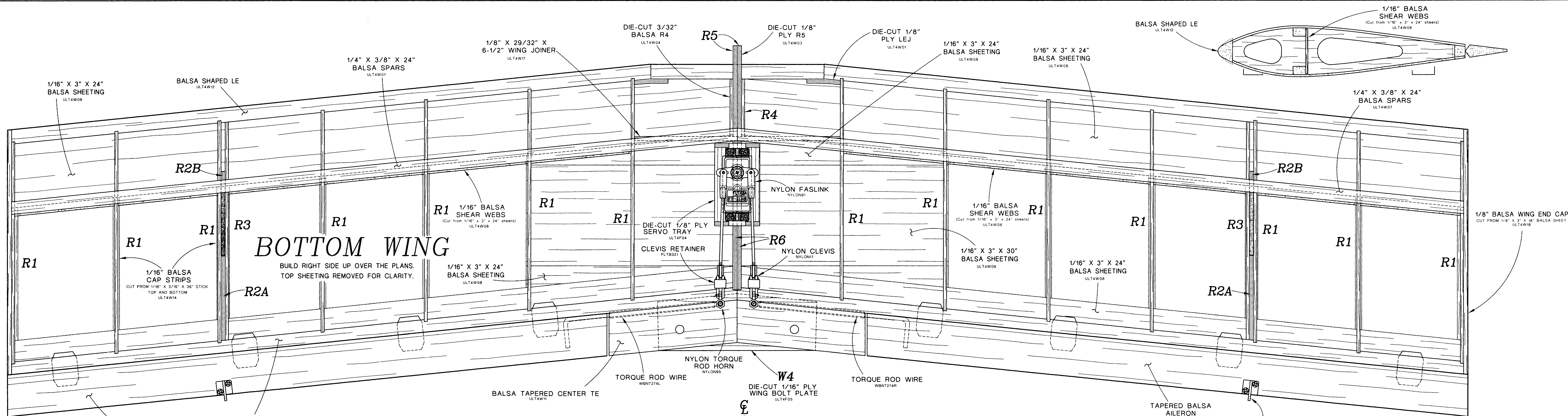
FUSELAGE PLAN PLAN NO: ULTP01

Ultimate **BIPLANE**

DESIGNED BY: Dan Todd
 DRAWN BY: Dan Todd and Greg Duitsman
 INSTRUCTIONS BY: Mark Hampe

GREAT PLANES
 MODEL MANUFACTURING COMPANY

ALL COMMERCIAL RIGHTS RESERVED © 1997 P.O. Box 788 Urbana, Illinois 61803 (217) 398-8970



WING PLAN PLAN NO: ULT4P02

Ultimate BIPLANE

DESIGNED BY: Dan Todd
DRAWN BY: Dan Todd and Greg Duitsman
INSTRUCTIONS BY: Mark Hampe

GREAT PLANES
MODEL MANUFACTURING COMPANY

© 1997 P.O. Box 788 Urbana, Illinois 61803 (217) 398-8970