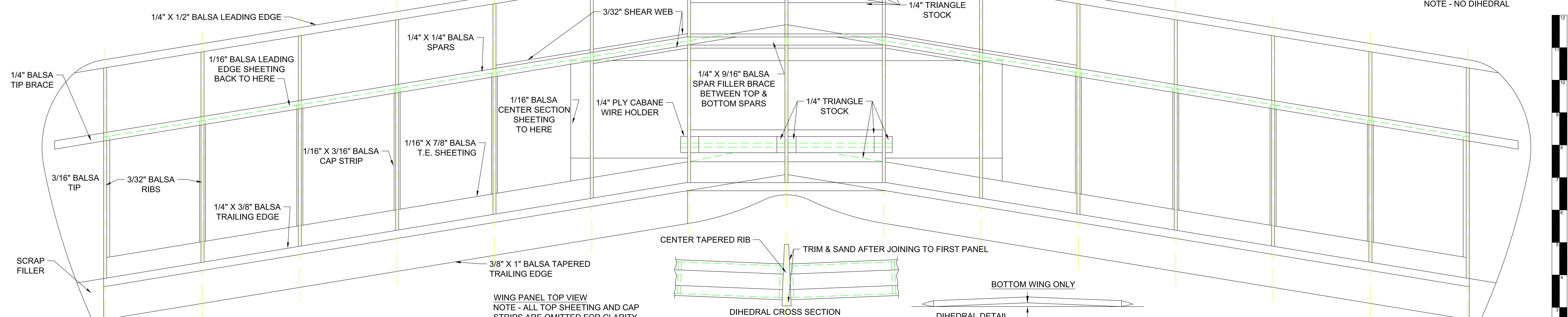


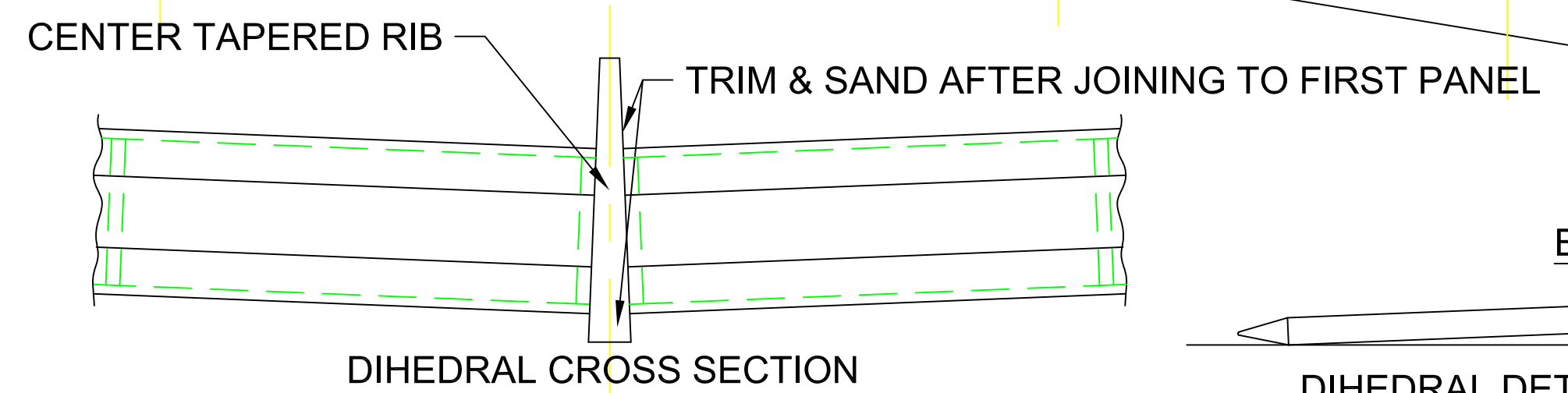
Use these scales to check print accuracy

TOP WING ONLY

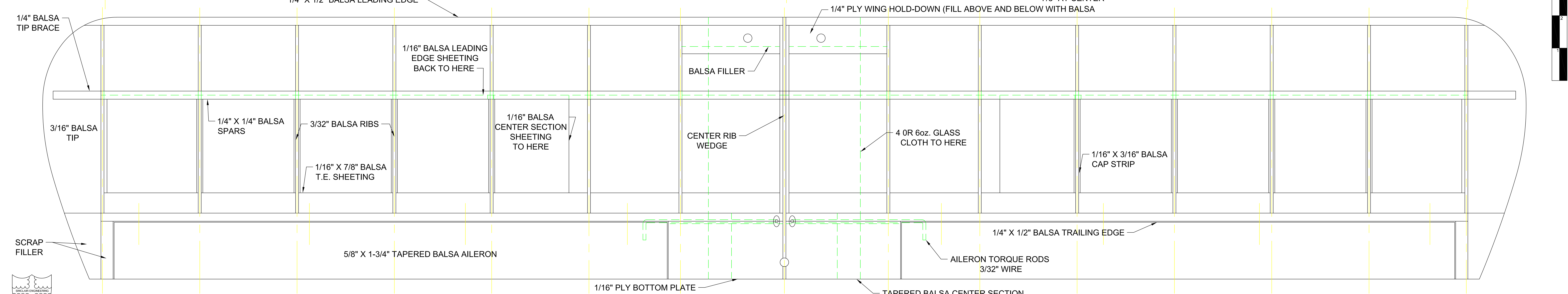
NOTE - NO DIHEDRAL



WING PANEL TOP VIEW
NOTE - ALL TOP SHEETING AND CAP STRIPS ARE OMITTED FOR CLARITY.



BOTTOM WING ONLY



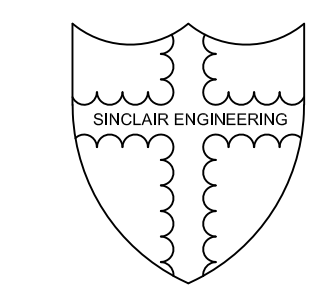
WING PANEL TOP VIEW
NOTE - ALL TOP SHEETING AND CAP STRIPS ARE OMITTED FOR CLARITY.

DESIGNED & DRAWN BY DON ANDERSON INKED BY SELAH PETERSON

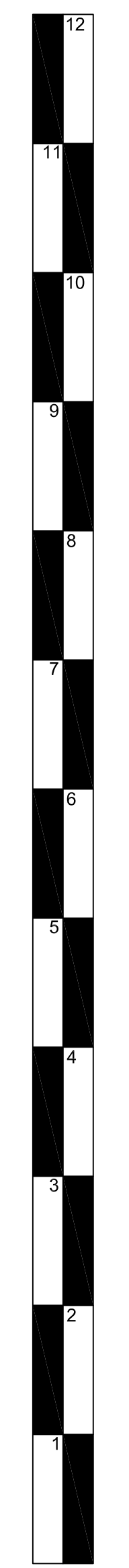
GREAT PLANES MODEL MANUFACTURING CO. P.O. BOX 721 URBANA, IL. 61801

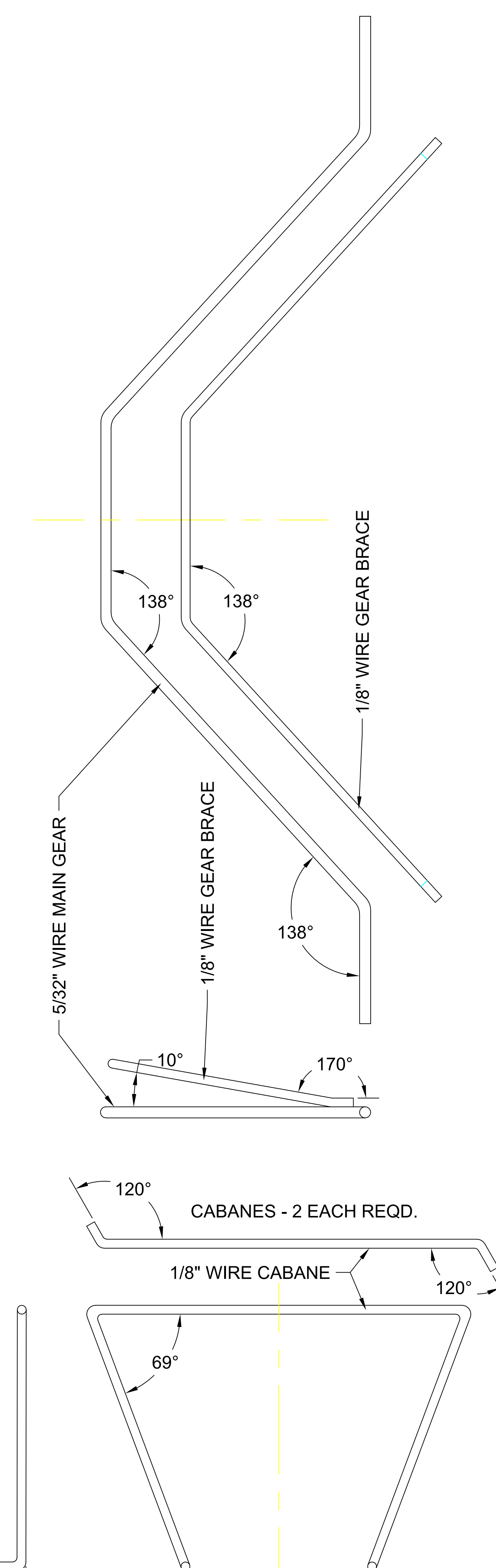
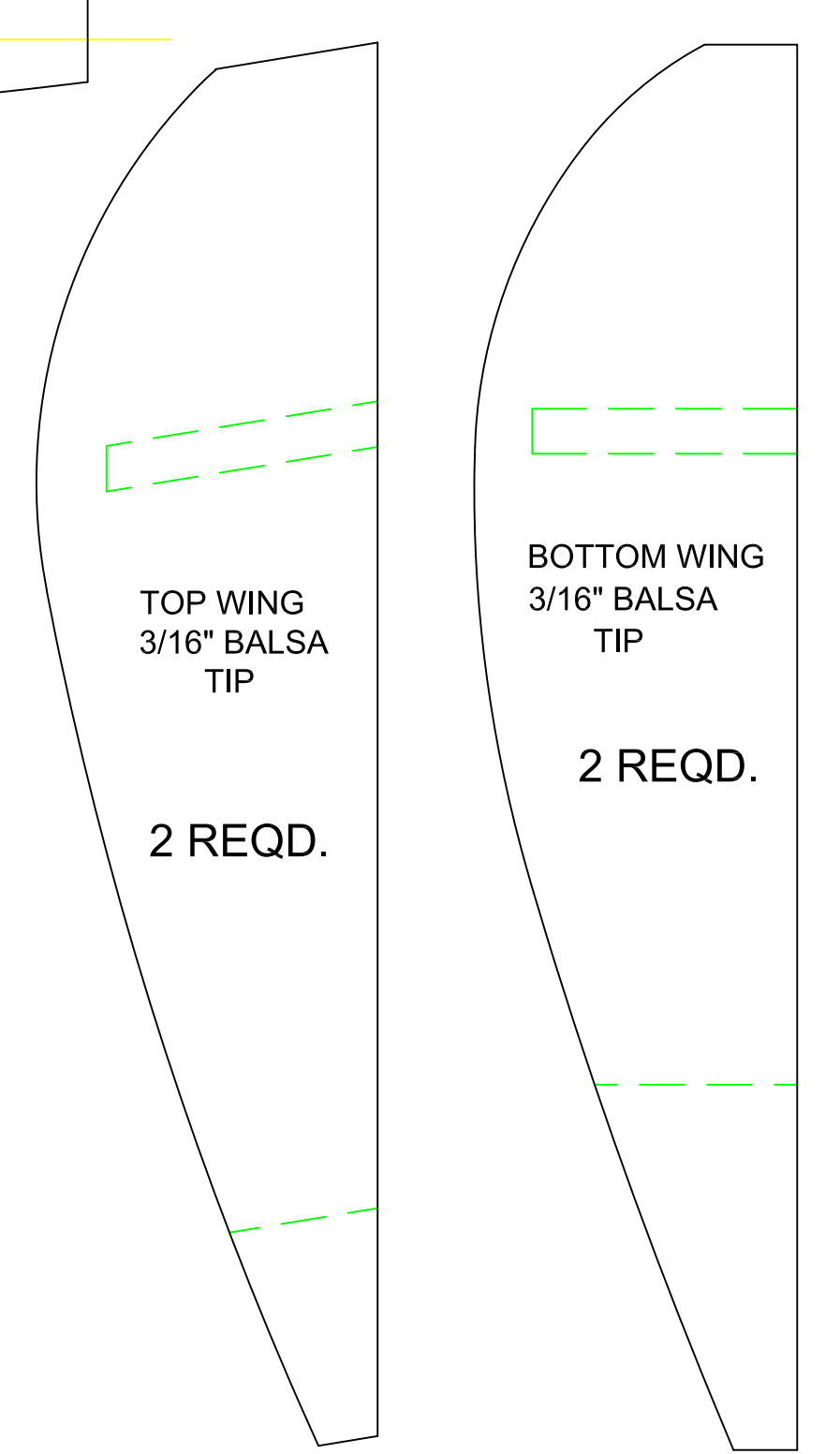
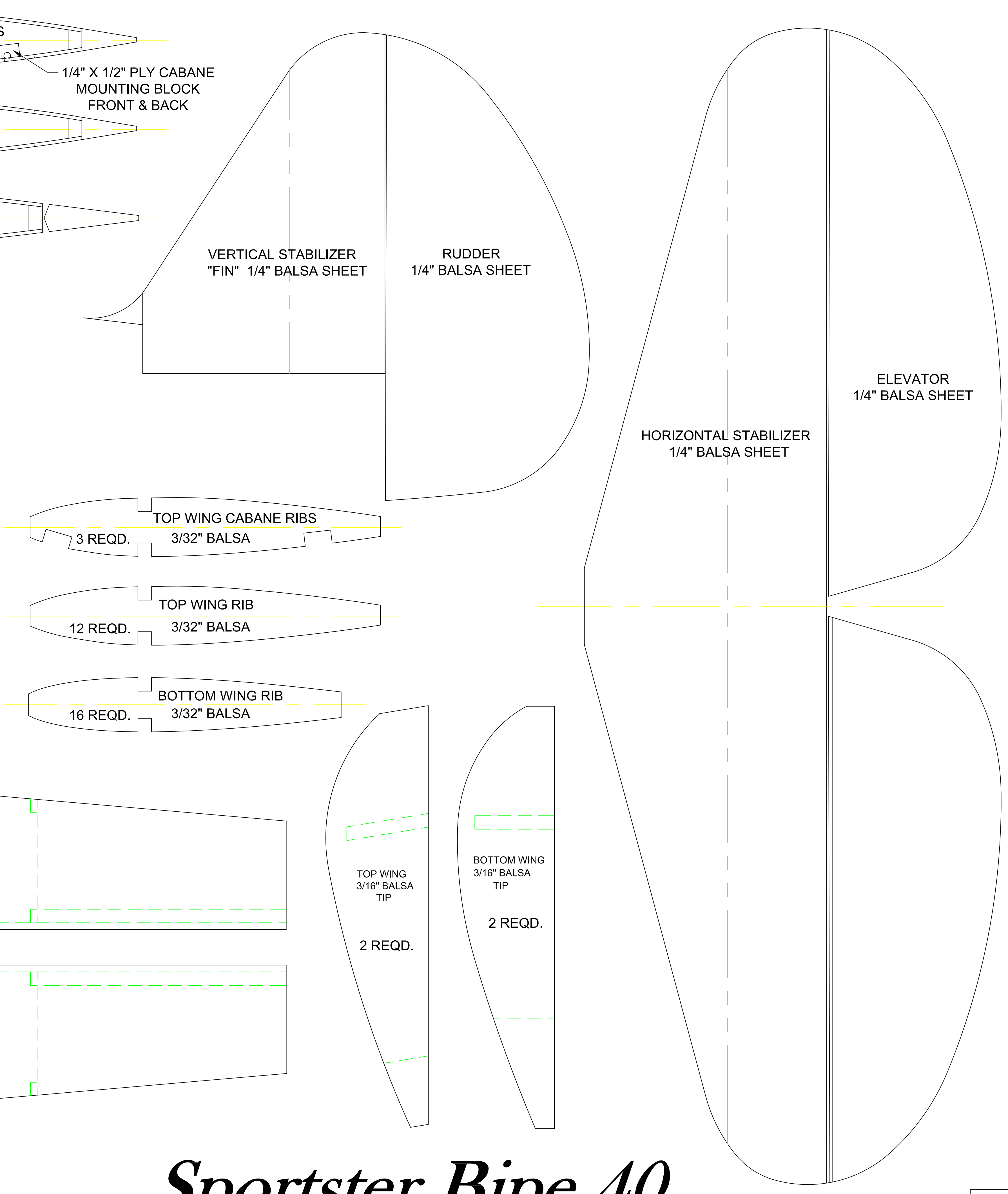
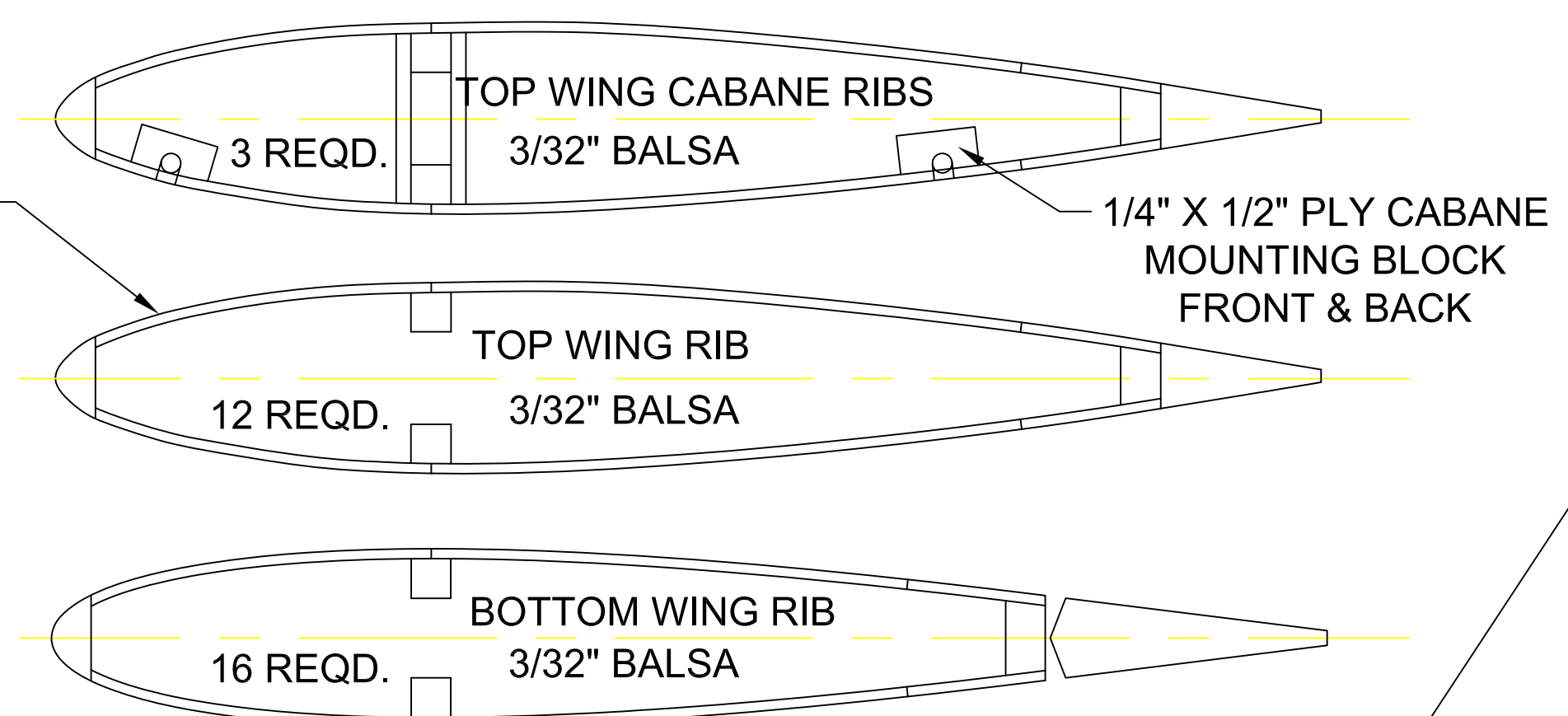
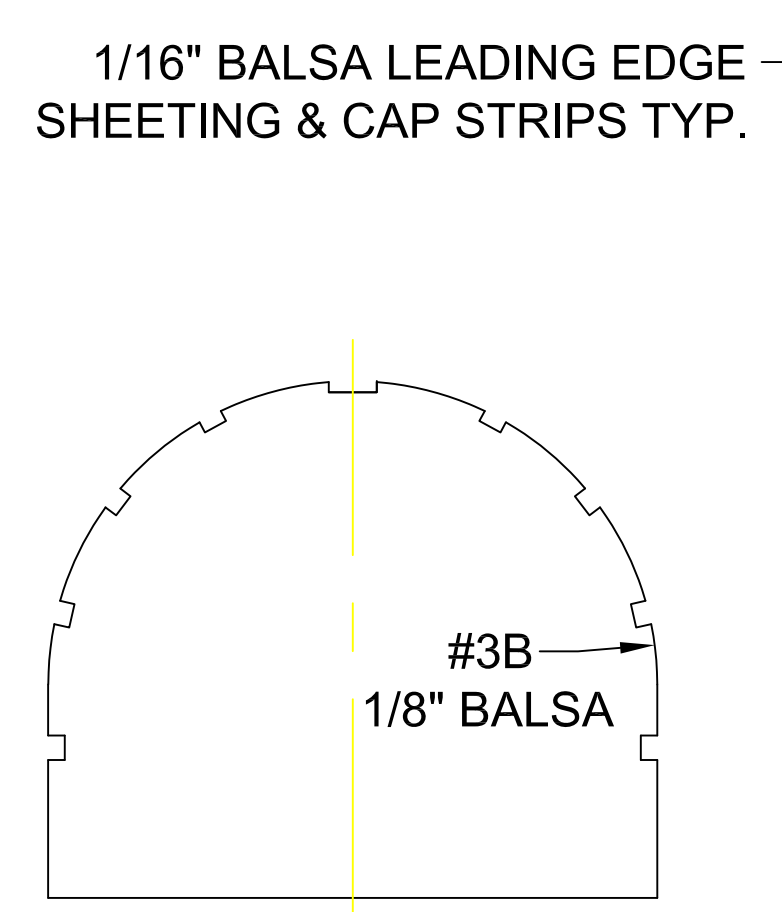
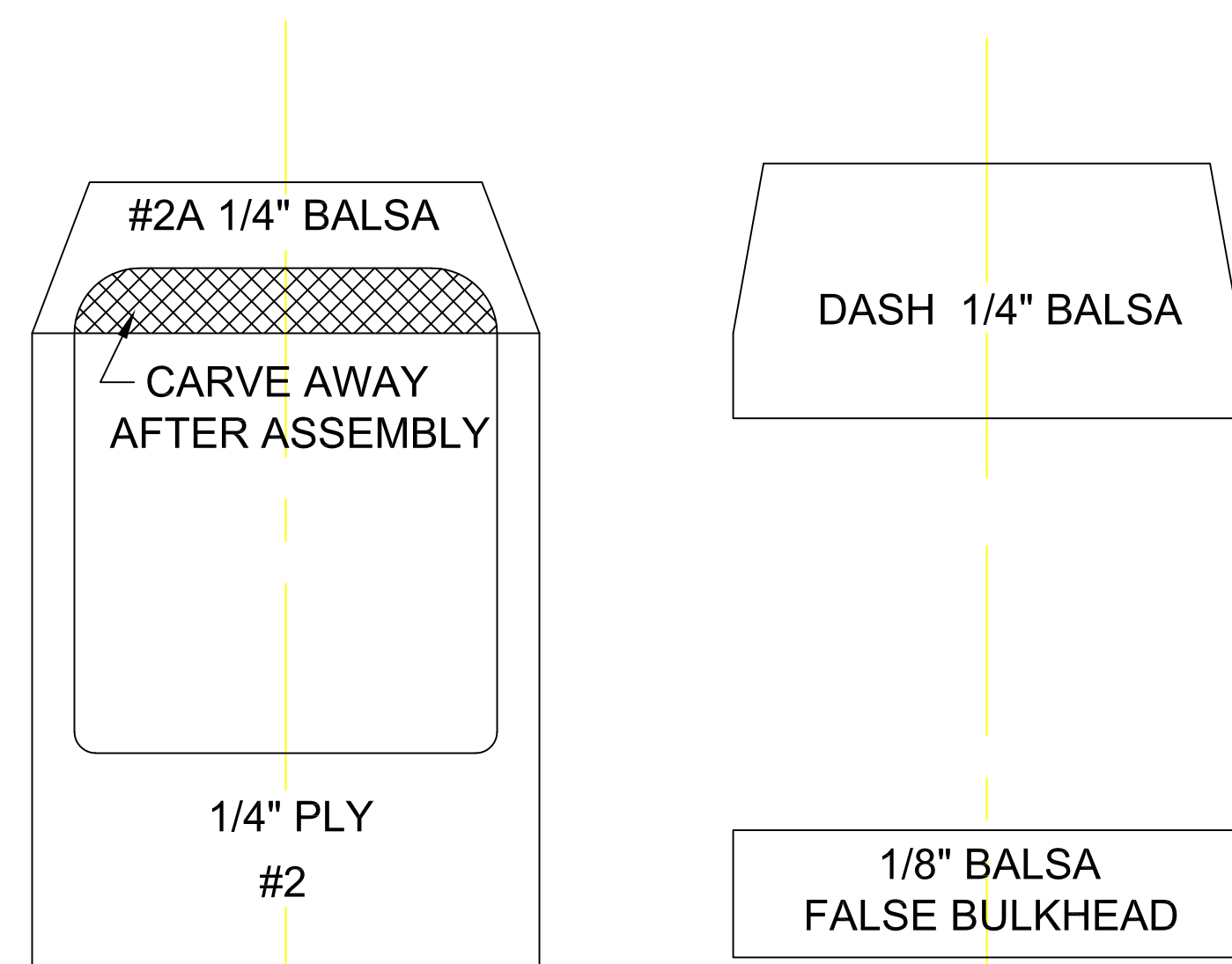
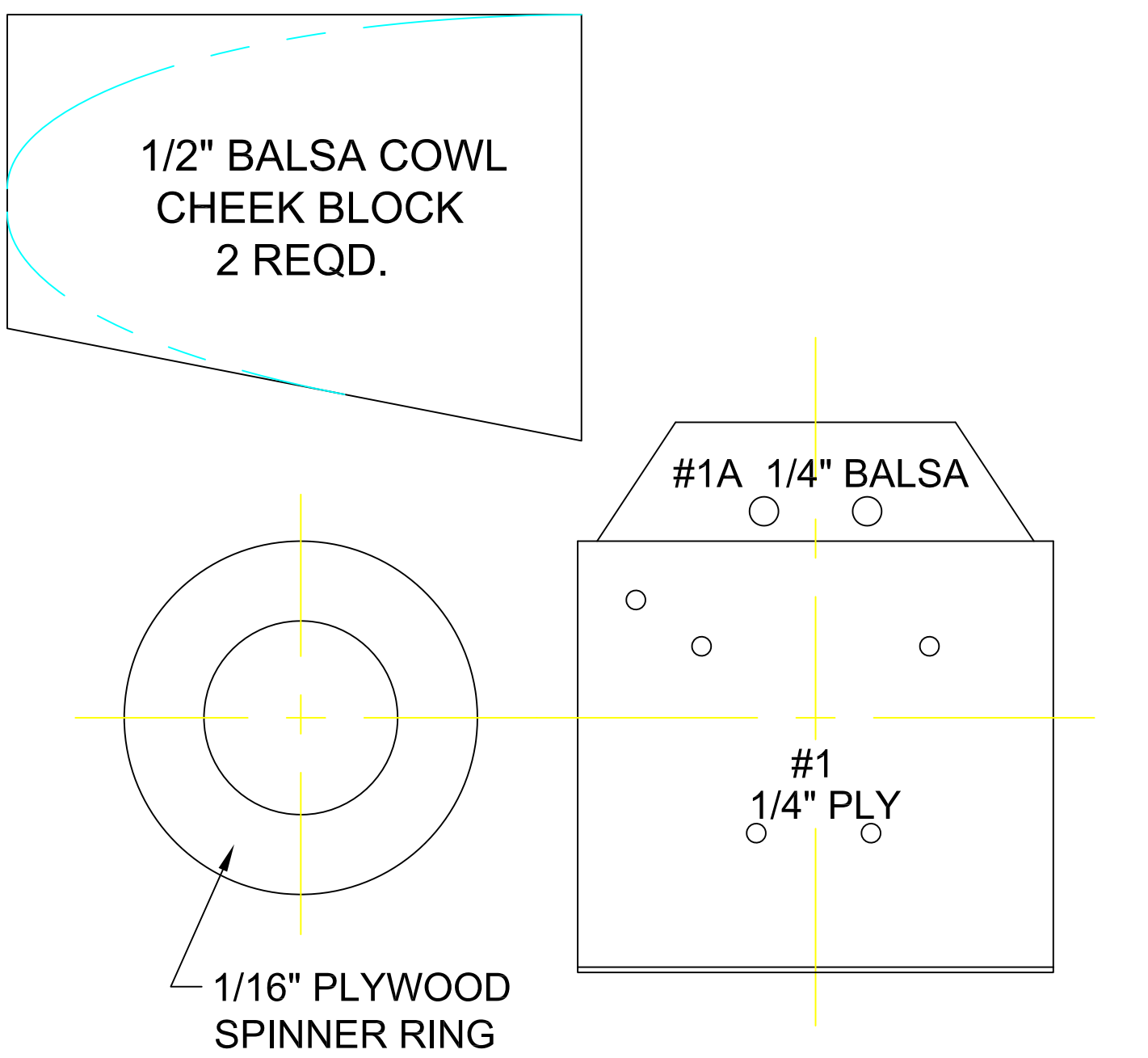
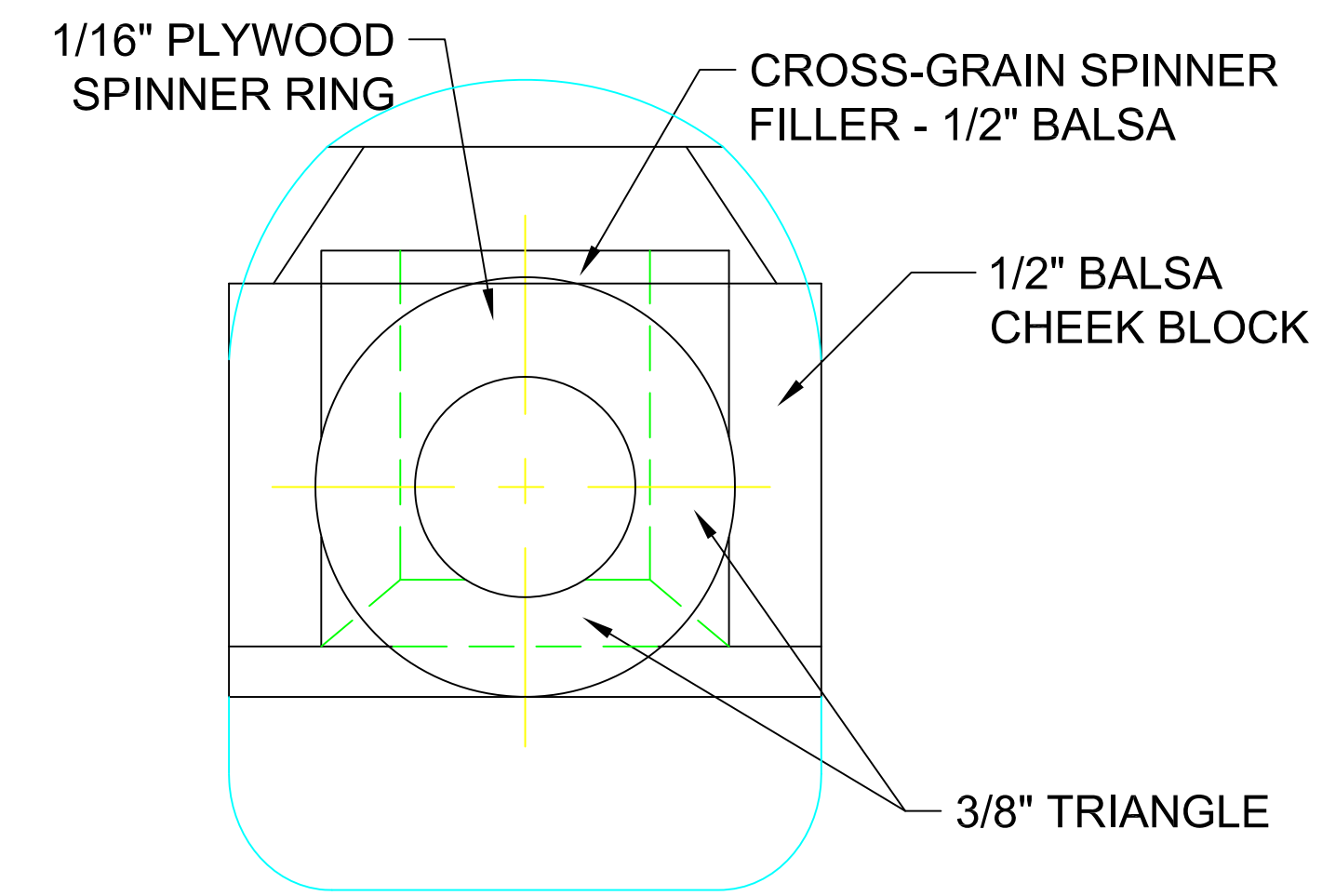
Sheet 2 of 3

Sportster Bipe 40



Revised and CAD Conversion 2/1/2019 by Alan Sinclair - wizardofflight@comcast.net





Revised and CAD Conversion 2/1/2019 by Alan Sinclair - wizardofflight@comcast.net

DESIGNED & DRAWN BY DON ANDERSON INKED BY SELAH PETERSON
GREAT PLANES MODEL MANUFACTURING CO. P.O. BOX 721 URBANA, IL. 61801

Sheet 3 of 3 *Sportster Bipe 40*

1.0625