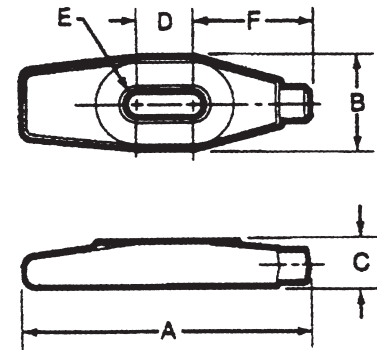


# Clamping & Set-Up Components

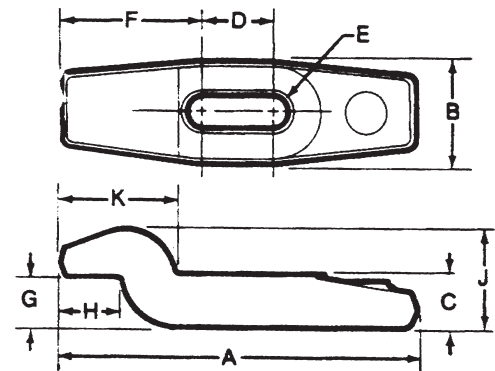
## Forged Finger-Tip Clamps



Part No.	A	B	C	D	Stud Size	
					E	F
824-33930	4	1-5/8	3/4	11/16	5/8 or 1/2	1-21/32
824-33931	6	1-3/4	7/8	1-1/4	5/8 or 1/2	2-3/8
824-33932	8	2-1/8	1-1/8	1-3/4	3/4	3-1/8

MATERIAL: Forged high tensile carbon steel  
 • Black Oxide Finish

## Forged Gooseneck Clamps



Part No.	A	B	C	D	Stud Size		G	H	J	K	
					E	F					
824-33940	4	1-5/8	3/4	1/4	5/8 or 1/2	1-7/8	13/16	3/4	1-7/16	1-3/8	
824-33941	6	1-3/4	7/8	1	5/8 or 1/2	2-1/2	15/16	1	1-9/16	1-3/4	\$ 0.00

MATERIAL: Forged high tensile carbon steel  
 • Black Oxide Finish