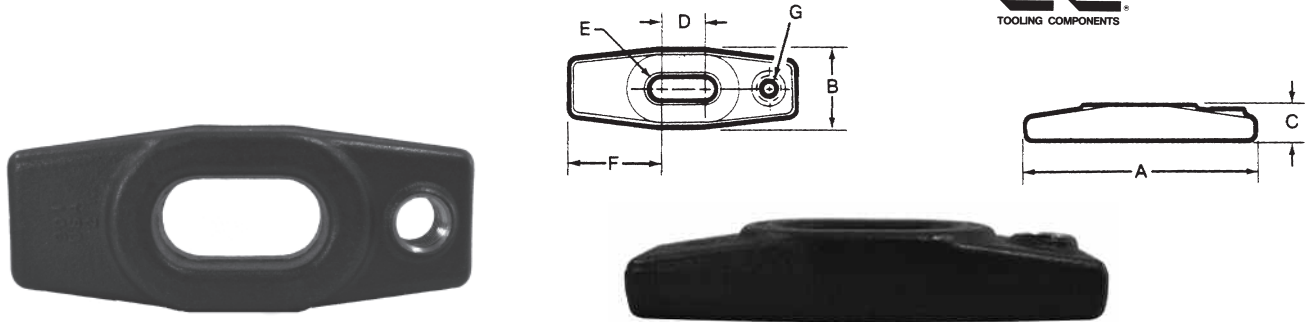


# Clamping & Set-Up Components

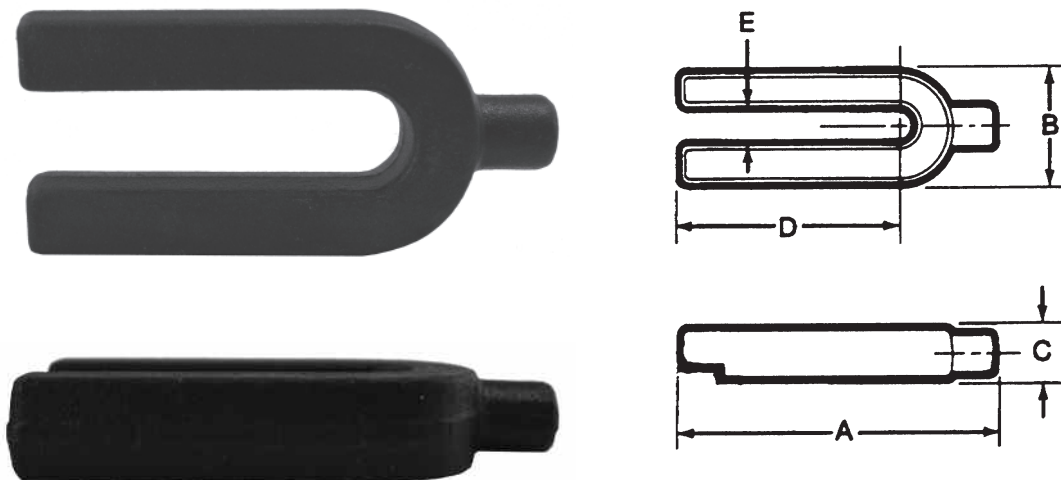
## Forged Tapped Plain Clamps



Part No.	A	B	C	D	Stud Size	F	G	
					E			
824-33911	4	1-5/8	3/4	11/16	5/8 or 1/2	1-21/32	1/2-13	
824-33912	6	1-3/4	7/8	1-3/8	5/8 or 1/2	2-5/16	5/8-11	\$ 0.00
824-33913	8	2-1/8	1-1/8	2	3/4	2-31/32		\$ 0.00

MATERIAL: Forged high tensile carbon steel  
 • Black Oxide Finish

## Forged "U" Clamps



Part No.	A	B	C	D	Stud Size	
					E	
824-33920	4	1-3/4	3/4	2-9/16	5/8 or 1/2	\$ 0.00
824-33921	6	2	7/8	4-5/16	5/8 or 1/2	\$ 0.00
824-33922	8	2-3/8	1-1/8	6	3/4	\$ 0.00

MATERIAL: Forged high tensile carbon steel  
 • Black Oxide Finish