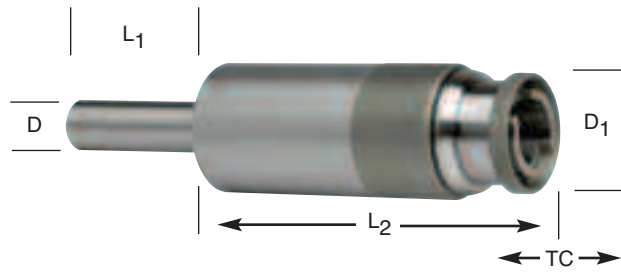


Tap Holders Quick Change Straight Shank Tension/Compression Holder



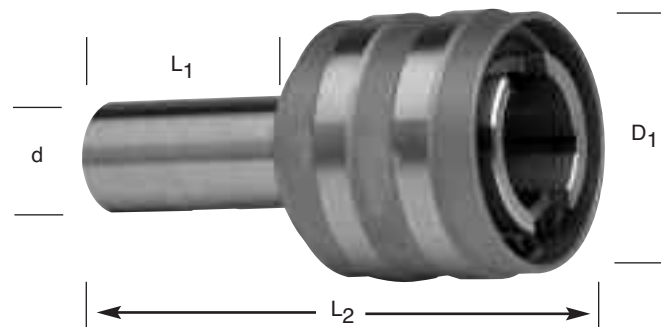
Adapter Size	Tap Size Range	D ₁ Shank Size	L ₂	L ₁	D ₁	Part No.	T	C
#1	0-9/16" H.T.	1"	4.13	3.50	1.25	GS534510	.079	.039
	1/8" Pipe							
#2	3/8-7/8 H.T.	1"	5.55	3.50	2.0	GS534512	.085	.049
	1/4"-1/2" Pipe							

Tap Holders Quick Change Straight Shank Tension/Compression Holder (Compact Length)



Adapter Size	Tap Size Range	d Shank Size	D ₁ Diameter	L ₂ OAL	L ₁ Shank Length	Part No.	T	C
#1	0-9/16" H.T.	1"	1.42	3.58	2.01	850-860A	.030	.030
	1/8" Pipe							
#2	5/16"-7/8"H.T.	1"	2.16	4.49	2.01	850-865A	.049	.049
	1/4"-1/2" Pipe							

Tap Holders Quick Change Straight Shank Compact Rigid



Adapter Size	Tap Size Range	D Shank Size	D ₁ Diameter	L ₁	L ₂	Part No.
#1	0-9/16" H.T.	1"	1.26	2.28	1.46	GS534540
	1/8" Pipe					
#2	5/16"-7/8"H.T.	1"	1.97	2.28	2.12	GS534542
	1/4"-1/2" Pipe					