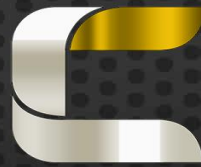
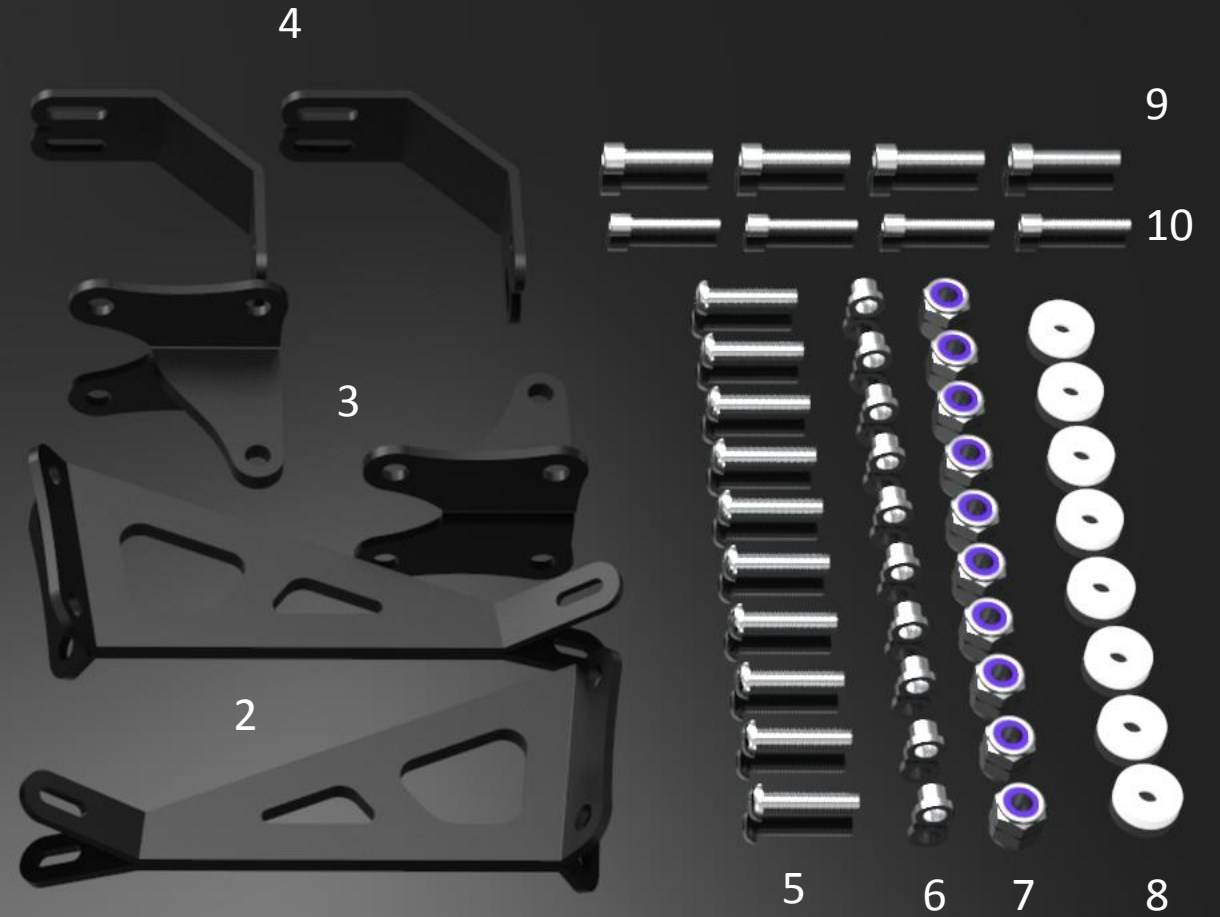
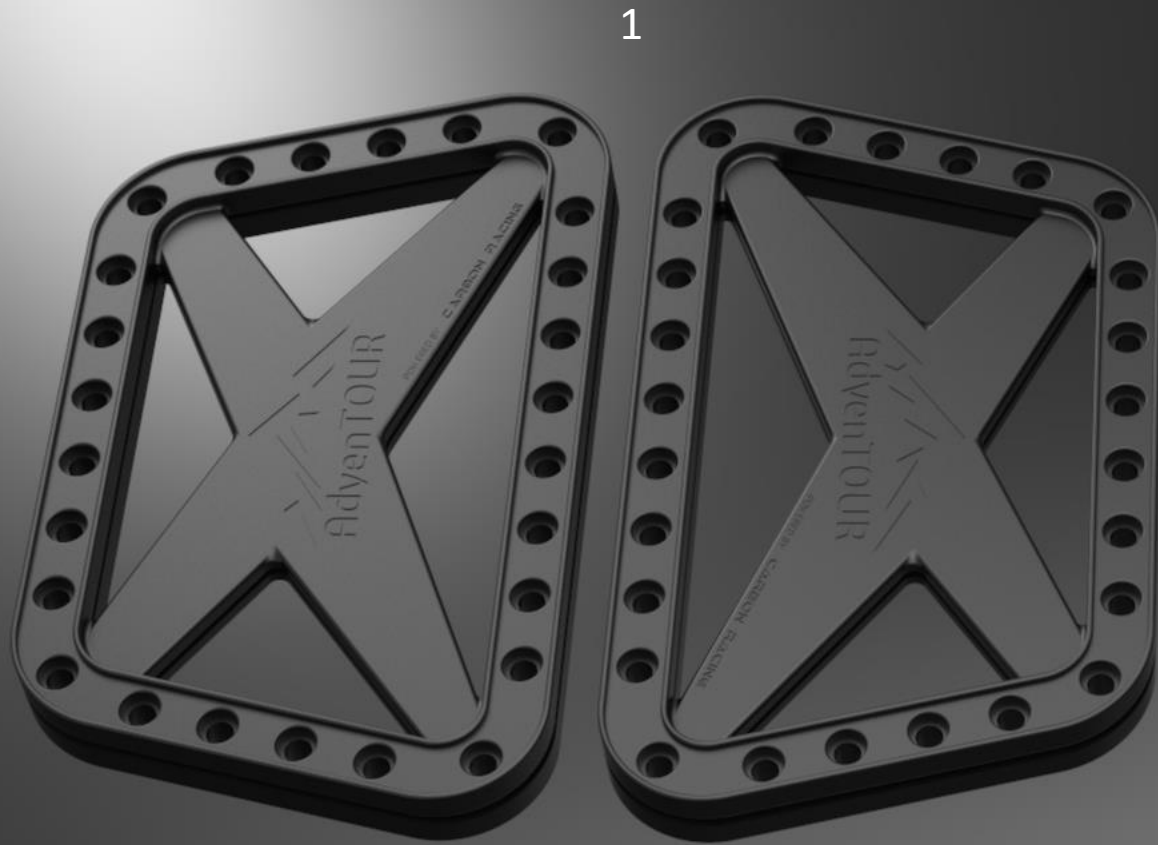


KTM 390 ADV



ADVENTOUR
SADDLE STAY INSTALLATION GUIDE

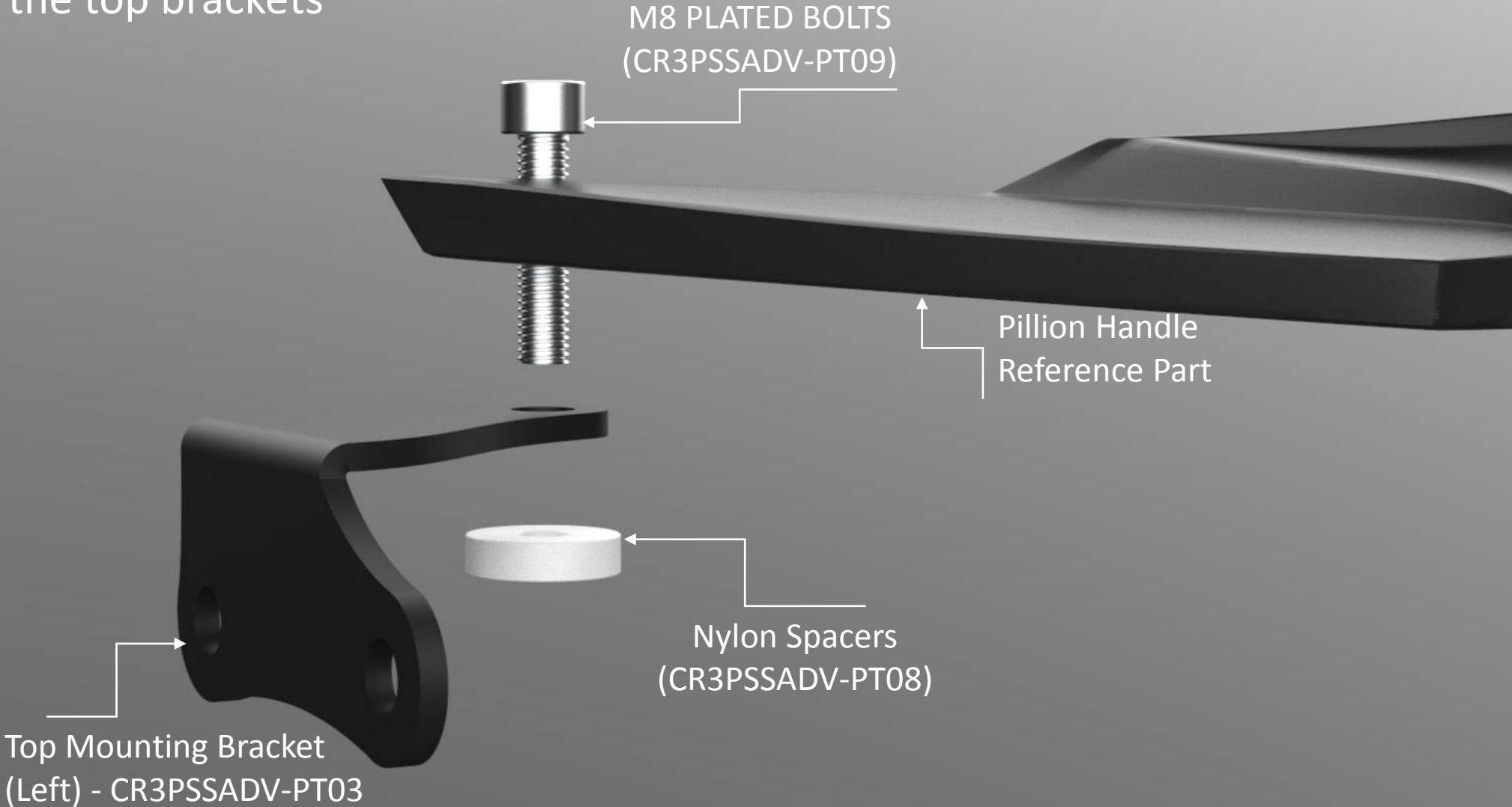
WHAT IS IN THE PACKAGE:



ITEMS IN THE PACKAGE

1. NYLON STAY PART (CR3PSSADV-PT01) – 2 Nos
2. LARGE BASE BRACKETS (CR3PSSADV-PT02) – 2 Nos (LHS/RHS)
3. TOP MOUNTING BRACKETS (CR3PSSADV-PT03) – 2 Nos (LHS/RHS)
4. SHORT BASE BRACKETS (CR3PSSADV-PT04) – 2 Nos
5. M8 BOLTS – STAINLESS STEEL BUTTONHEAD (CR3PSSADV-PT05)– 10 Nos
6. ALUMINIUM HOLE INSERTS FOR STAYS (CR3PSSADV-PT06)– 10 Nos
7. M8 NYLOC NUTS (CR3PSSADV-PT07) – 8 Nos
8. 6MM WHITE NYLON SPACERS (CR3PSSADV-PT08) – 8 Nos
9. M8 PLATED BOLTS (CR3PSSADV-PT09) – 4 Nos
10. M6 PLATED BOLTS (CR3PSSADV-PT10) – 2 Nos

STEP 1: Install the top brackets



Step 2: Install Side Stays

TOP MOUNTING BRACKETS
(CR3PSSADV-PT03)

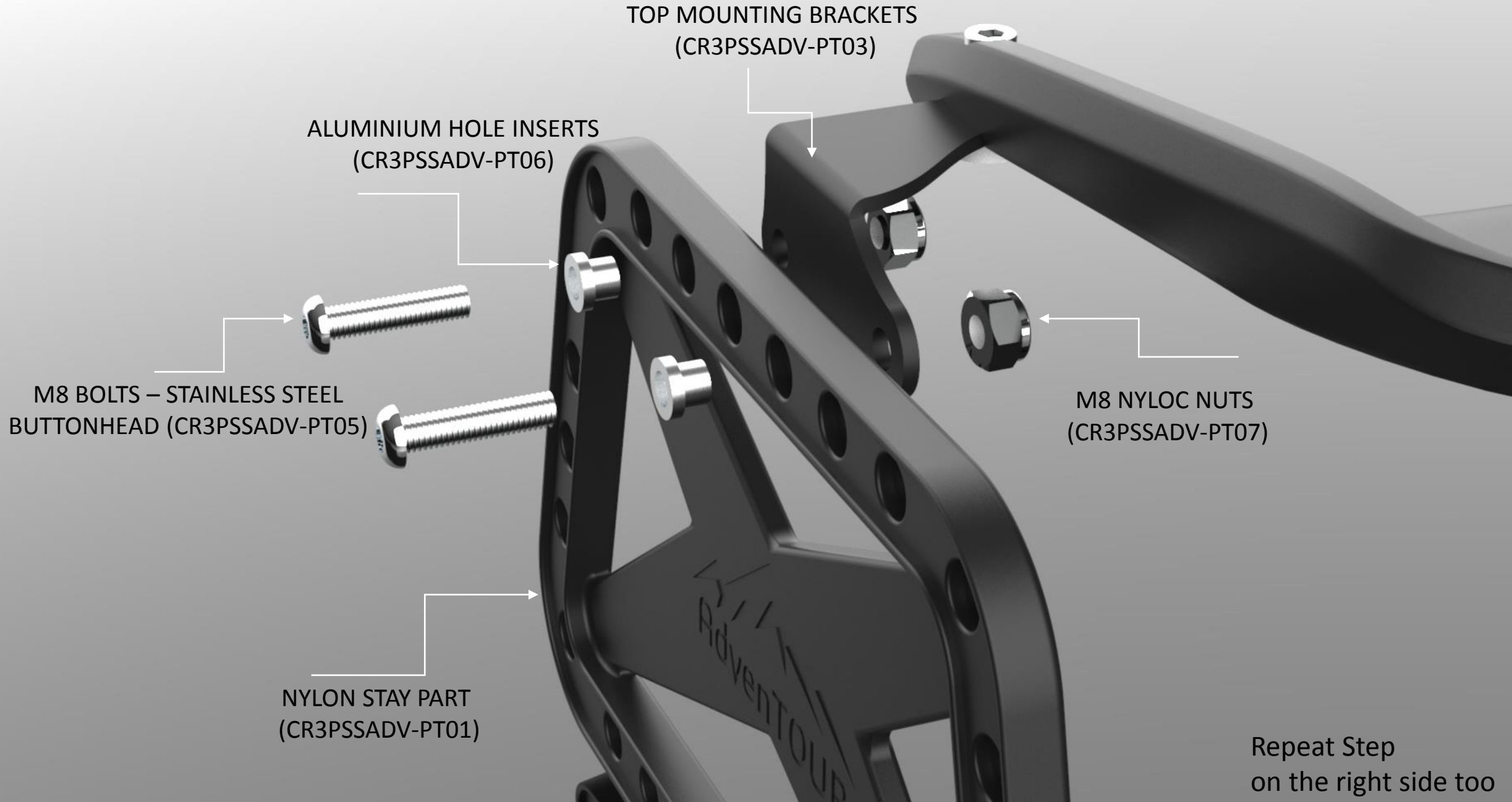
ALUMINIUM HOLE INSERTS
(CR3PSSADV-PT06)

M8 BOLTS – STAINLESS STEEL
BUTTONHEAD (CR3PSSADV-PT05)

M8 NYLOC NUTS
(CR3PSSADV-PT07)

NYLON STAY PART
(CR3PSSADV-PT01)

Repeat Step
on the right side too



Left Side

T1

T2

T3

T4

T5

T6

T7

T8

Use Holes T3 and T5 for the Top Bracket Connection (CR3PSSADV-PT03)



POWERED BY CARBON RACING

Connect Short Base Bracket (CR3PSSADV-PT04) To B1

Connect Large Base Bracket (CR3PSSADV-PT02) To B5 & B7

B1

B2

B3

B4

B5

B6

B7

B8

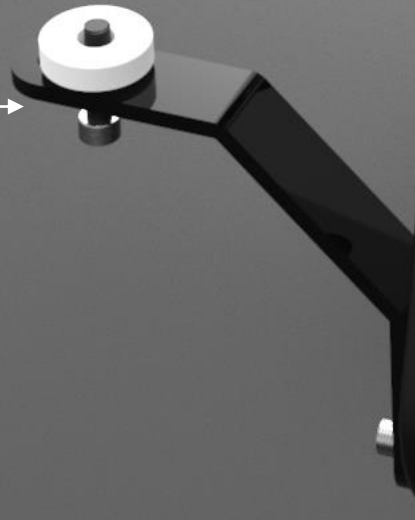
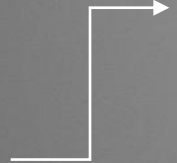
B9

B10

Step 3: Connect Side Brackets to the Bike Wheel Arch Bolts

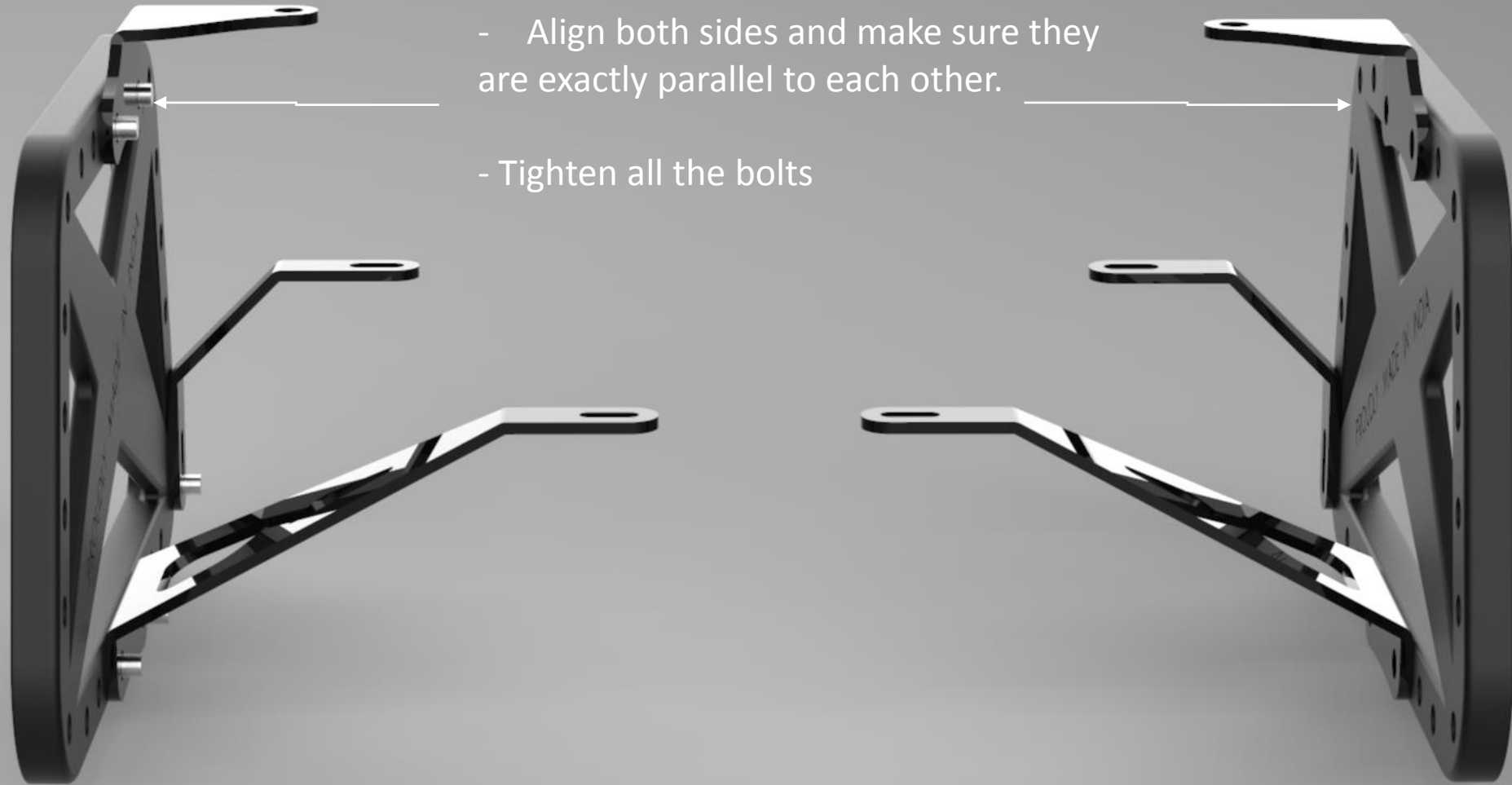
Use Nylon Spacers between the bike plastic and the saddle stay brackets using the longer bolts supplied.

Do not fully tighten them yet.



Repeat Step on the Right Side

Step 4: Alignment





Once aligned, this is how the final installation will be.

(Ref Pic)

The background features a dark grey, perforated texture. A prominent, glowing gold ribbon-like shape curves across the top and bottom of the frame. A bright gold light flare is positioned at the top left, and another is at the bottom right. The text 'CARBON RACING' is centered in a bold, gold, sans-serif font.

CARBON RACING

Experience The Quality