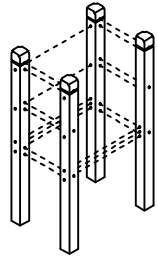
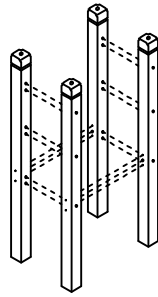


# Assembly Instructions Jupiter Bunk Bed

### Part in Box 1

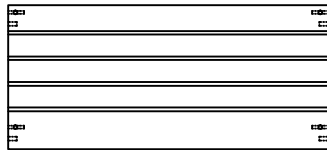


(A) Upper Post (Shorter) x 4



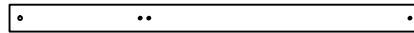
(B) Lower Post (Longer) x 4

### Part in Box 2



(C) Up.&Lw. Panel x 4

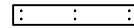
### Part in Box 3



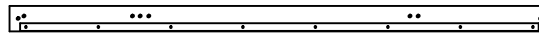
(D) Front Upper Guardrail x 2



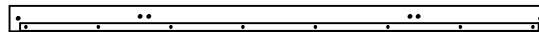
(E) Back Upper Guardrail x 2



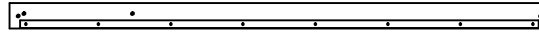
(F) Guardrail Spindle x 4



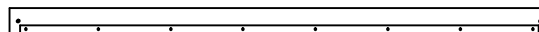
(G) Upper Side Rail (Front) x 1



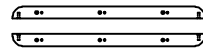
(H) Upper Side Rail (Back) x 1



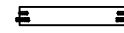
(I) Lower Side Rail (Front) x 1



(J) Lower Side Rail (Back) x 1

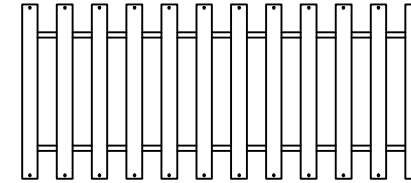


(K) Ladder Rail x 2

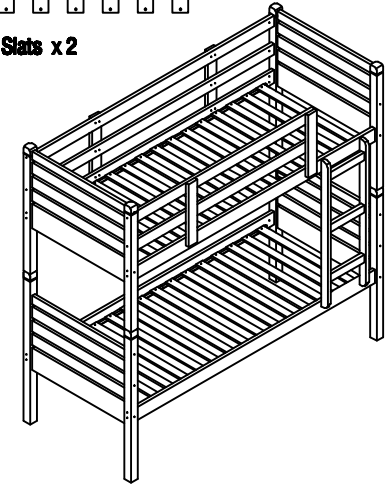


(L) Ladder Steps x 3






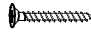


### Part in Box 4



(M) Set of Slats x 2



### Hardware List

1.	JCBC M6 x 90mm		x 38
2.	JCBC M6 x 35mm		x 50
3.	M6 x 15mm (Long) Barrel Nut		x 22
4.	Wood Dowel M10 x 40mm		x 24
5.	Metal Pin M10 x 100mm		x 4
6.	CSK M4 x 25mm		x 40
7.	M4 Allen Key		x 1
8.	M6 x 13mm (Short) Barrel Nut		x 16

9.	Wooden Button 11.5mm		x 4
----	-------------------------	---	-----

Tool required for assembly :

- \* Allen Key ( supplied )
- \* Phillips Screwdriver ( not supplied )






### WARNING !!





- This package contains small parts. Keep away from children until assembly.
  - Adult assembly required.
  - Phillips head screw driver required.
  - Instructions are generic. Figures may vary.
  - Screws left after assembly should be kept out of reach of children.
- NOTE : Children under the age of 9 should not use the upper bunk due to the statistical chance of significant injury.
- Children should be discouraged from playing on the bunk bed.
  - The bunk bed should be checked periodically to ensure that the guardrail, ladder and other components are maintained in the correct position and state of repair and all connectors are tight.
  - ' The upper bunk must be more than 2m from any ceiling fan.'

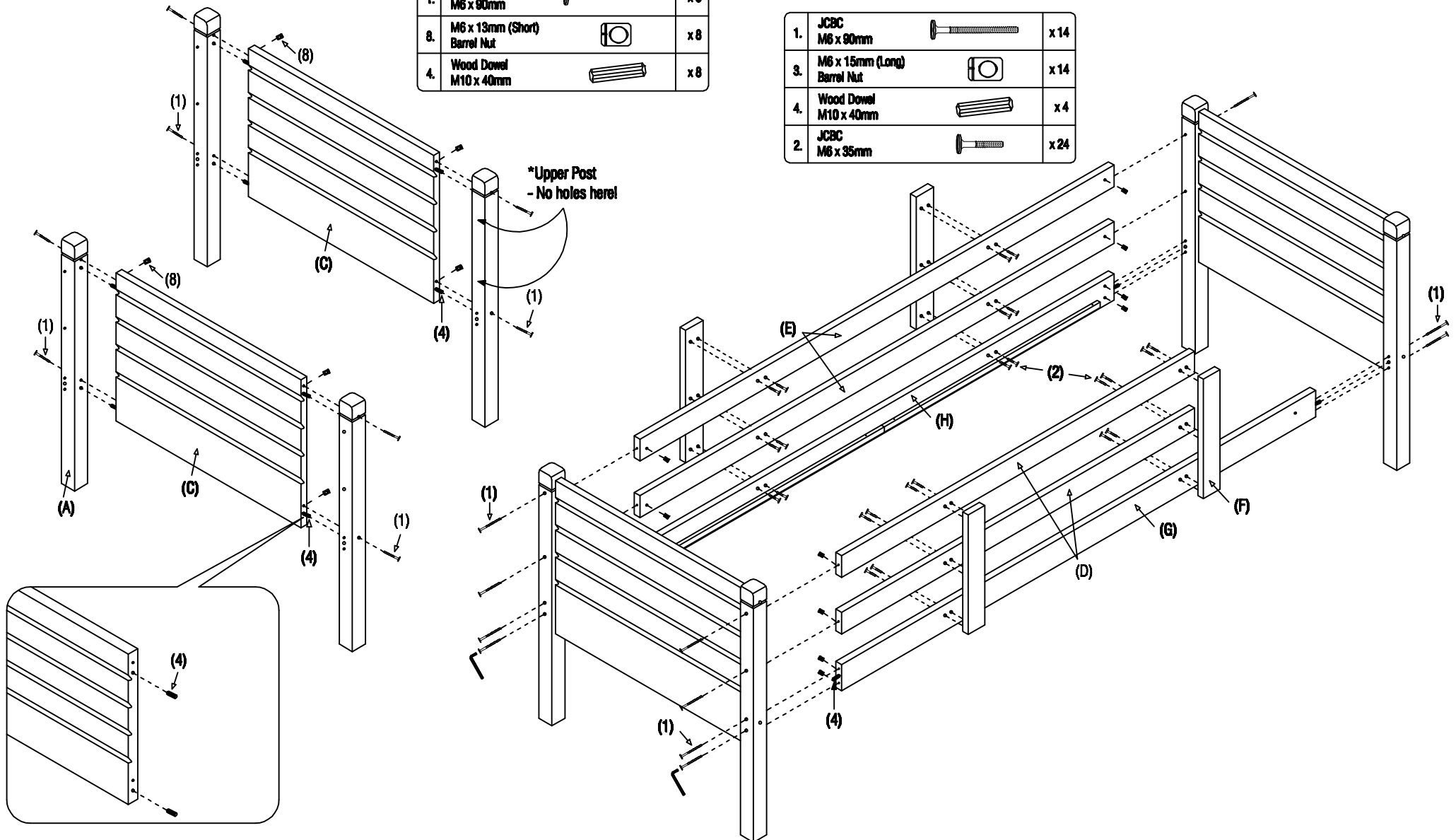
# Assembly Instructions Jupiter Bunk Bed

## 1 Assemble the Upper Bunk End Frames.

1.	JCBC M6 x 90mm		x 8
8.	M6 x 13mm (Short) Barrel Nut		x 8
4.	Wood Dowel M10 x 40mm		x 8




## 2 Assemble the Upper Bunk End Frames with the Side Rails(G&H) and Front & Back Guard Rails (D&E).

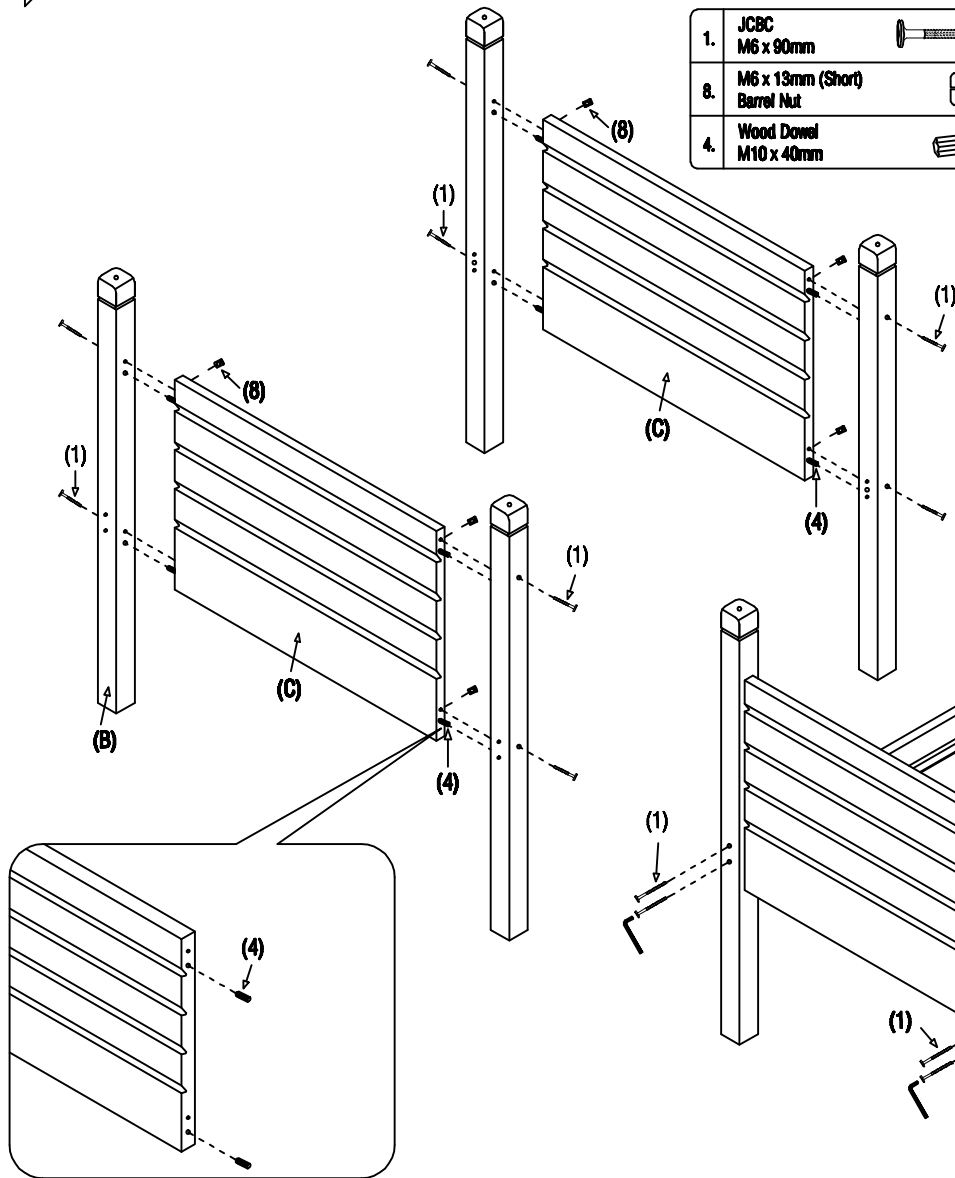
1.	JCBC M6 x 90mm		x 14
3.	M6 x 15mm (Long) Barrel Nut		x 14
4.	Wood Dowel M10 x 40mm		x 4
2.	JCBC M6 x 35mm		x 24






# Assembly Instructions Jupiter Bunk Bed

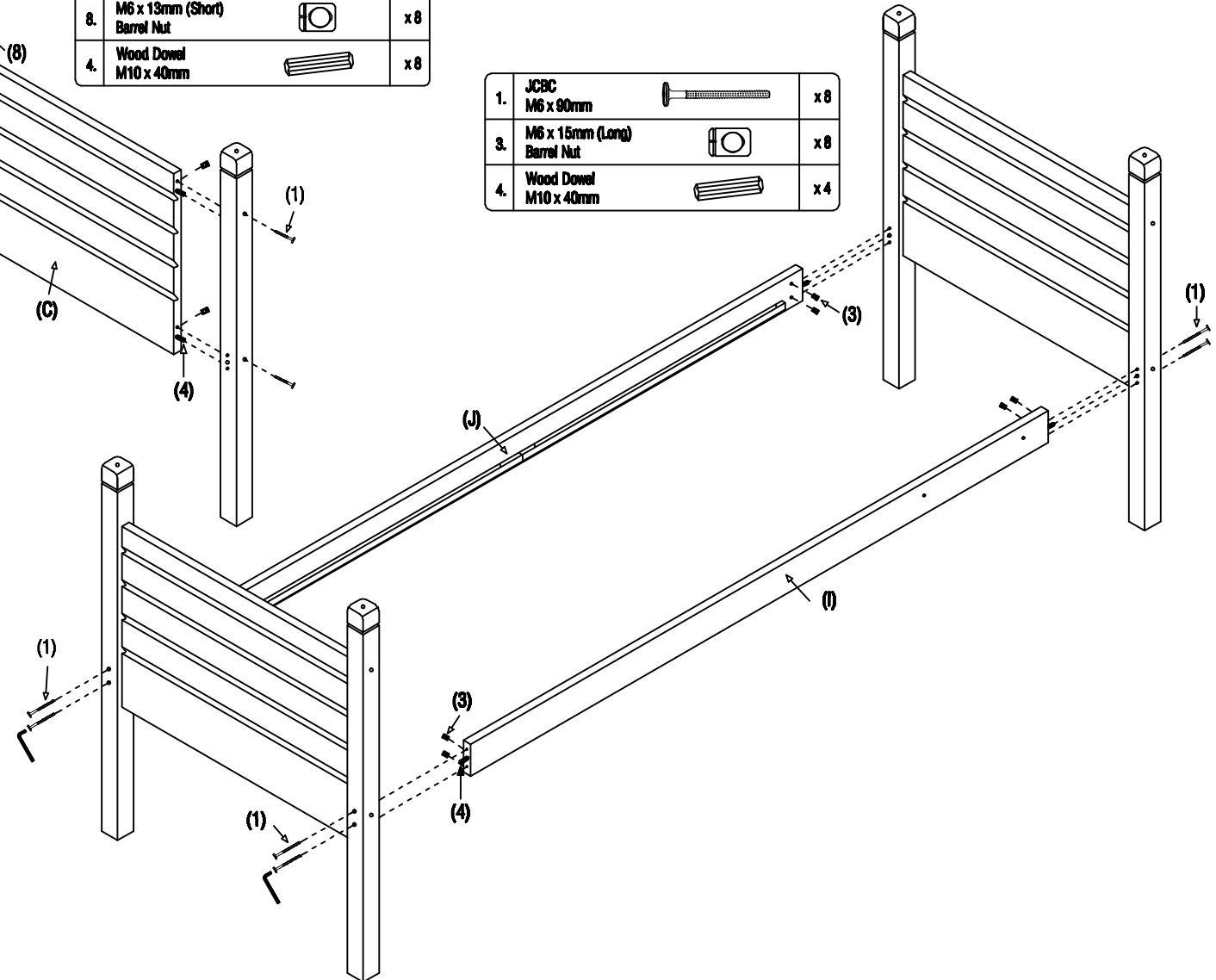
## 3 Assemble the Lower Bunk End Frames.

1.	JCBC M6 x 90mm		x 8
8.	M6 x 13mm (Short) Barrel Nut		x 8
4.	Wood Dowel M10 x 40mm		x 8



## 4 Assemble the Lower Bunk End Frames with the Lower Side Rails (I&J).


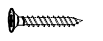
1.	JCBC M6 x 90mm		x 8
3.	M6 x 15mm (Long) Barrel Nut		x 8
4.	Wood Dowel M10 x 40mm		x 4

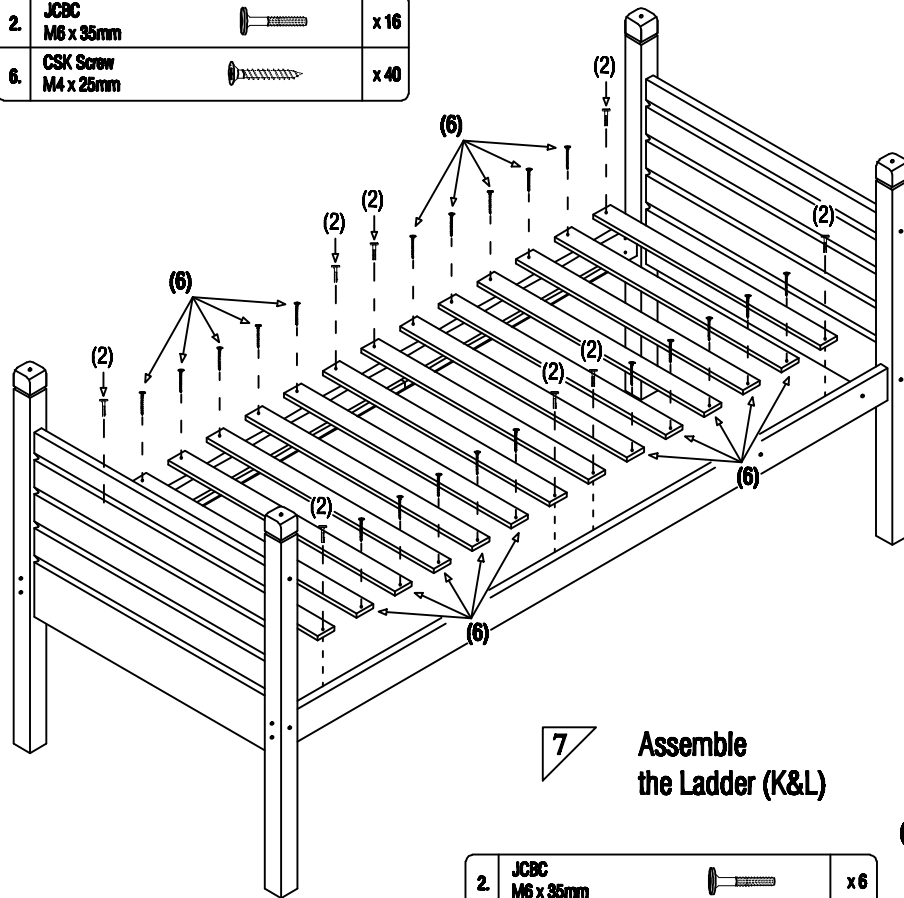


# Assembly Instructions

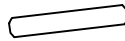
## Jupiter Bunk Bed

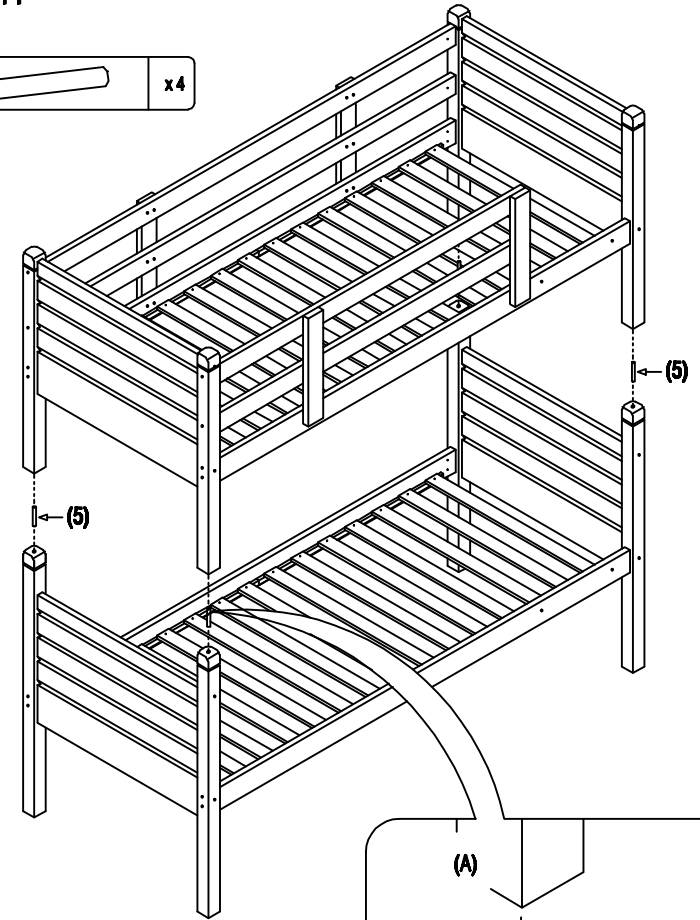
### 5 Assemble the Slats (M) to the Upper & Lower Bunk

2	JCBC M6 x 35mm		x 16
6	CSK Screw M4 x 25mm		x 40

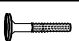


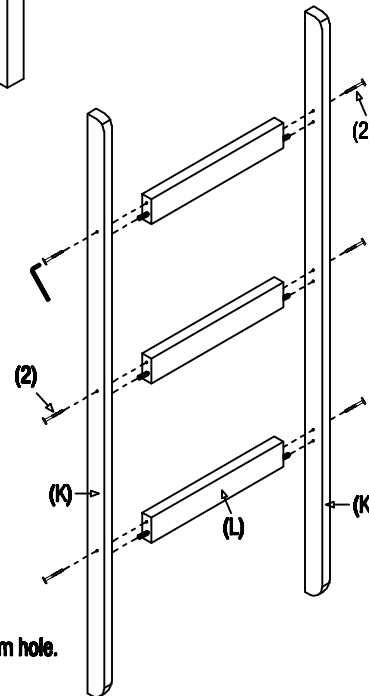
### 6 Join the Upper & Lower Bunk

5	Metal Pin M10 x 100mm		x 4
---	--------------------------	---	-----

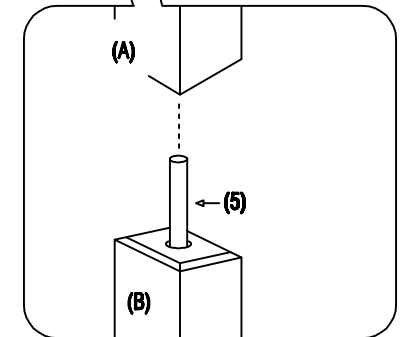


### 7 Assemble the Ladder (K&L)

2	JCBC M6 x 35mm		x 6
---	-------------------	---	-----



Remark :  
Wood Dowel must be on bottom hole.



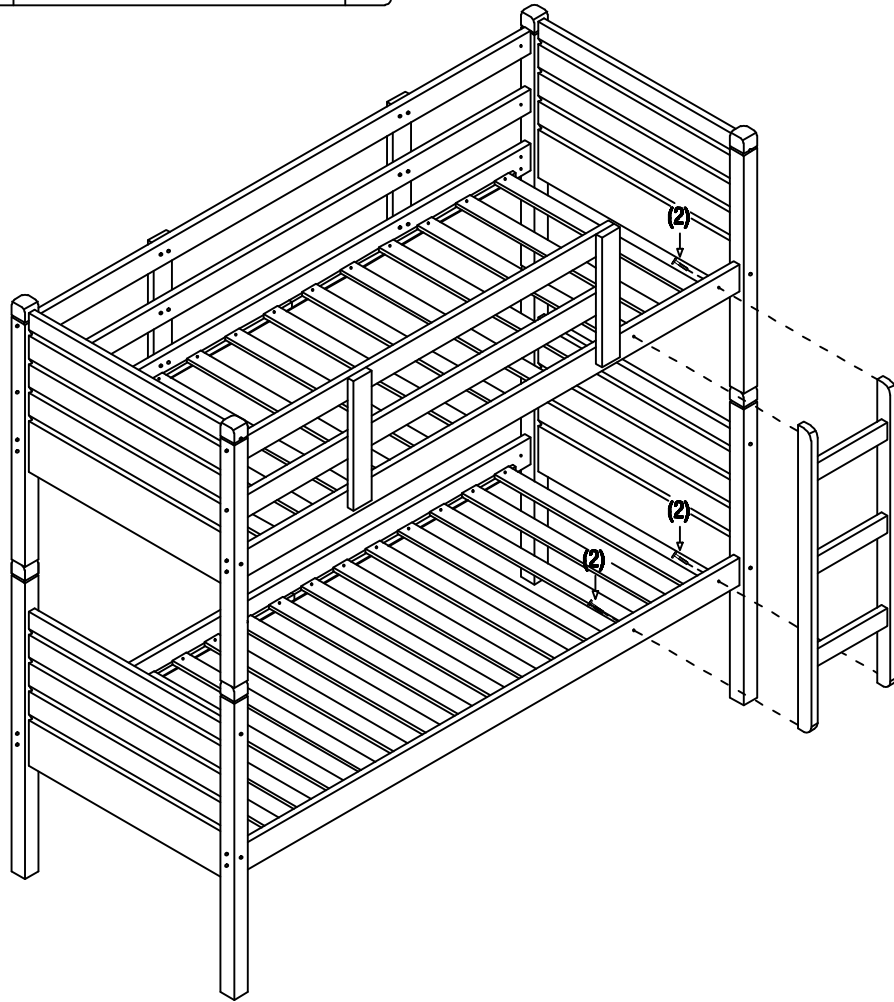
# Assembly Instructions

## Jupiter Bunk Bed

5/5

### 8 Attach the Ladder to Upper & Lower Bunk.

2. JCBC  
M6 x 35mm x 4



### 9 Optional use of bunk bed as separate Twin Beds

Use the Lower End Frame as a Headboard.

9. Wooden Button  
11.5mm x 4

