

# The Prescott

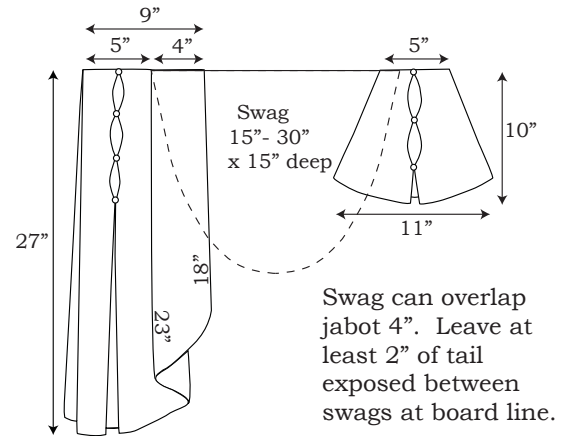
9329

The new Prescott jabot and tail is combined with **Basic Pleated Swags 15" to 30" wide x 15" deep.**

**The Prescott jabot is 9" wide x 27" deep. The tail is 5" wide at the board line x 10" deep.** Both the jabot and tail have a "cut out" effect that shows the contrast lining.

Alteration instructions are for jabot and tail, swag alterations are not included.

**Fabric Suggestions:** Light to medium weight fabrics that have body. Avoid bulky fabrics. Add interlining to light weight fabrics. The jabot should have contrast lining. It is the lining that will show through the open areas. The tail has two layers. The front layer should be lined with self or contrast fabric. The underlay can be lined with regular drapery lining.



## YARDAGE

The jabot is cut and made in two pieces (Piece A and Piece B). They are then combined to become one unit.

With so many different fabric widths and repeats available today, we find it works best if we give you the actual pattern sizes so you can determine how they will fit on your fabric.

Each Jabot.....	Piece A (one).....	the pattern is .....	14" wide x 29" deep
	Piece B (one) .....	the pattern is .....	25" wide x 29" deep
Each Tail .....	Front layer (one pair) .....	the pattern is .....	8" wide x 12" deep
	Underlay (one) .....	the pattern is .....	12" wide x 12" deep

Same amount of lining and (optional) interlining is needed for all items.

Swags	Upright Cut	Bias Cut
15" wide.....	the pattern is ..... 35" wide x 32" deep .....	33" wide x 33" deep
20" wide.....	the pattern is ..... 37" wide x 32" deep .....	36" wide x 36" deep
30" wide.....	the pattern is ..... 45" wide x 32" deep .....	41" wide x 41" deep

## TRIM (Trims must be able to curve)

Each 15" wide swag.....	40"		
Each 20" wide swag.....	41"		
Each 30" wide swag.....	48"		
Each Jabot.....	Piece A .....	Scalloped side .....	29"
		Bottom and front.....	36"
	Piece B .....	Scalloped side .....	29"
		Bottom .....	23"
Each Tail .....	Front layer .....	Scalloped sides.....	24"
		Bottom .....	14"
5/8" covered buttons.....	3 per tail		
	4 per jabot		