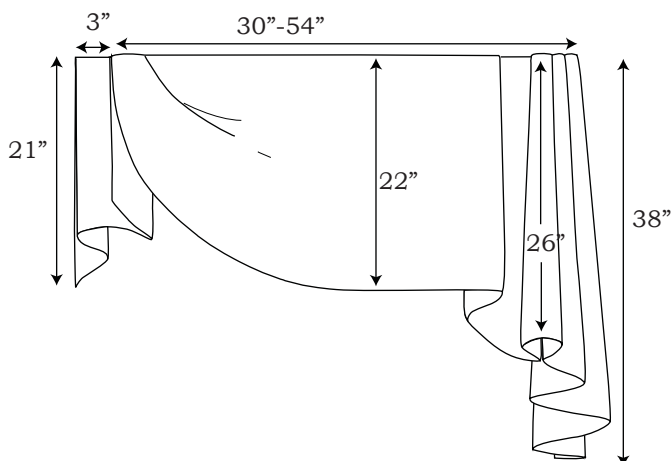


Mandolin Valance

9328

This asymmetrical valance consists of a valance section, horn, and long jabot that are sewn together before attaching to the mount board. A short jabot is made separately. It attaches to the board underneath the valance.

The valance section can be 30" to 54" wide. The short jabot takes up 3" of the board measurement before the valance begins. Alteration instructions are included.



Fabric Suggestions: Light to medium weight fabrics that have body. Avoid bulky fabrics. Add interlining to light weight fabrics. Stripes will hang at a variety of angles on the long jabot. Deep trims would not be effective on this valance.

YARDAGE

To determine your valance section width, subtract 3" from the mount board measurement. That is the size to use on the pattern.

With so many different fabric widths and repeats available today, we find it works best if we give you the actual pattern sizes so you can determine how they will fit on your fabric.

30" valance section	the pattern is.....	38" wide x 30" deep
42" valance section	the pattern is.....	50" wide x 30" deep
54" valance section	the pattern is.....	62" wide x 30" deep
Horn (one is needed).....	the pattern is.....	10" wide x 30" deep
Long jabot (one is needed)	the pattern is.....	32" wide x 43" deep
Short jabot (one is needed).....	the pattern is.....	24" wide x 24" deep

The same amount of interlining (optional) can be used. Both jabots and the horn should have self or contrast lining. If you don't want to self or contrast line the valance section, a 13" wide x 30" strip of the contrast lining could be added at the pleat area. Unless a small cord or trim is used in the outside seam, the lining may show around the bottom edge.

TRIM (Trims must be able to curve) Trim goes on the bottom edge only.

30" wide valance section	52"
42" wide valance section	64"
54" wide valance section	76"
Horn (one)	10"
Long jabot (one)	40"
Short jabot (one).....	28"